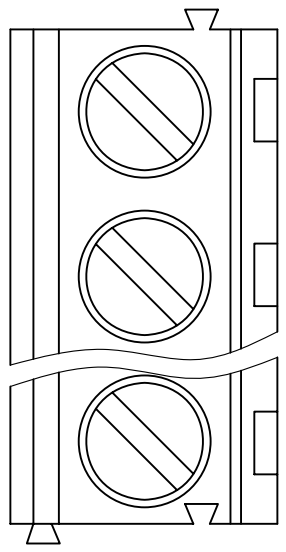
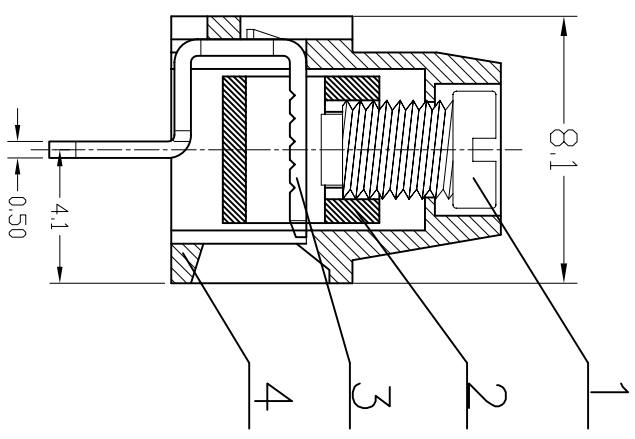
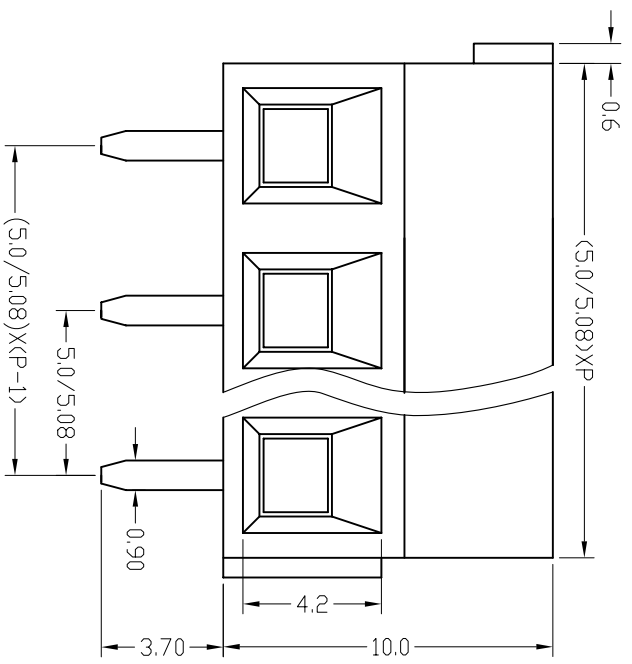


序号/revNo.	名称/title	文件编号/file No.
1	XY304 螺丝	QJ/XYT-2150101
2	XY304 铜方块	QJ/XYT-2150102
3	XY304V 端子	QJ/XYT-2150103
4	XY304 A 塑件5.0	QJ/XYT-2150104



300V 12A 26-14AWG 1.5mm²
Poles: 2P&3P-24P
Pitch: 5.0mm(.197")/5.08mm(.200")

Materials
Housing: PA66(UL 94V-0)
Solder Pin: Brass, Tin Plated
Wire Cage: Brass, Nickel Plated
Screw: M3.0, Steel(A3), Zinc Plated
Torque: 0.5N.m

设计/Designed by	绘图/Drawing by	审核/Checked by	批准/Approved by	备注/Remark	
图名/Title		文件编号/File No.		单位/Units	
XY304V		QJ/XYT-2250100 QJ/XYT-2250200		mm	
产品图		页序/Sheet		公差	
				X ±0.2 X ±0.1 XX ±0.05 XXX ±0.01	
				X' ±2 X' ±1 XX' ±0.5	

RevNo.	revision note	signature	date
??	???	??	??

