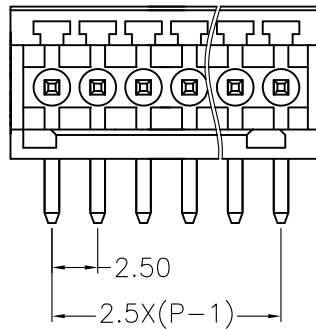
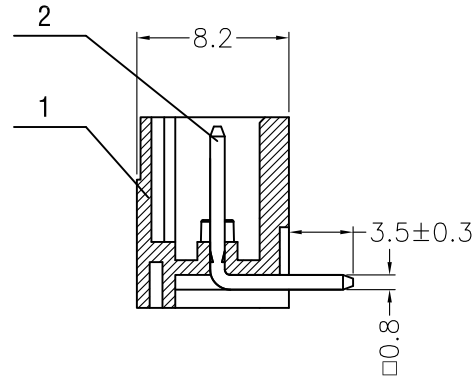
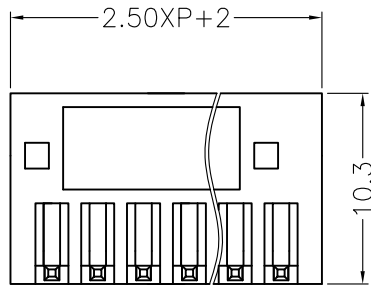


序号/NO	名称/TITLE	图纸号/DWG. NO.	材料/MATERIAL
1	XY2500VT-2.50塑壳	QJ/XYT-B101800	PA66(UL94-V0)
2	XY2500RT-2.50焊锡针(R)	QJ/XYT-C100500	Brass,Sn Plated



**Note**

Poles: P=(2P~24P)

Pitch: 2.5mm

**Use and Performance**

Rated voltage:150V

Rated current:4A

Withstanding voltage:AC1250V/Min

Ambient temperature:-40℃~+105℃

Undeclared tolerance:DIN16901-140B

未注公差/Undeclared tolerance:DIN 16901-140B															
尺寸(mm) Dimension(mm)	0 ~ 1	1 ~ 3	3 ~ 6	6 ~ 10	10 ~ 15	15 ~ 22	22 ~ 30	30 ~ 40	40 ~ 53	53 ~ 70	70 ~ 90	90 ~ 120	120 ~ 160	160 ~ 200	200 ~ 250
	±0.10	±0.11	±0.12	±0.14	±0.17	±0.20	±0.24	±0.28	±0.33	±0.40	±0.50	±0.60	±0.75	±0.95	±1.15

设计/DRAWN BY	绘图/DRAWING BY	审核/CHECKED BY	批准/APPROVED BY	未注公差 General Tolerance	
				x. ±0.2	x.° ±2°
				.x ±0.1	.x° ±1°
名称/TITLE XY2500RT-2.5 产品图		图纸号/DWG. NO. QJ/XYT-A100800		.xx ±0.05	.xx° ±0.5°
比例/SCALE:		版本/REV	页序/SHEET	.xxx ±0.01	
		A0	1 of 1	单位/Units: mm	