

REV	DESCRIPTION	DRFT	DATE

Electrical:

UL Standard

1. Rated voltage: 300V
2. Rated current: 8A

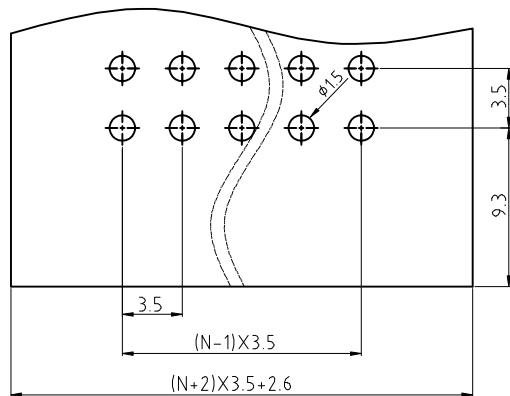
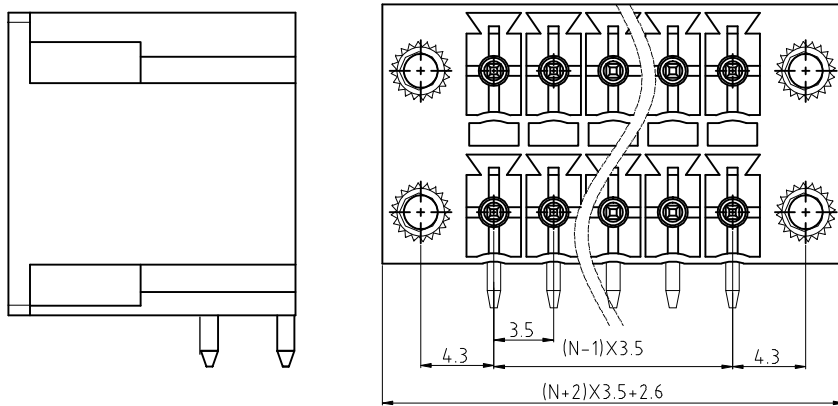
IEC Standard

1. Pollution degree	2
Overvoltage category	II
Rate impulse voltage(kV)	2.5
Rate voltage (V)	250
Rate current (A)	8

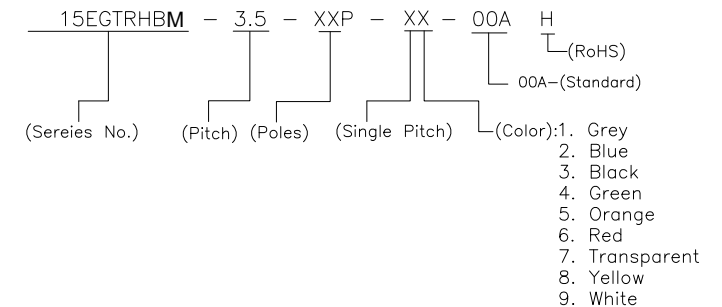
Notes :

1. Pitch: 3.5mm, Poles: N=04~48P
2. Withstanding voltage : AC1600V/1Min.
3. Operating temperature : -40°C~+105°C
4. RoHS Compliance
5. Undimensioned Tolerances:

Pitch Range In mm	Nominal Dimension Range In mm							—	∩	□
≤6	6 ~ 10	10 ~ 24	≤30	30 ~ 60	60 ~ 100	100 ~ 150	>150	0.1/10		
	±0.15	±0.20	±0.30	±0.30	±0.50	±0.70	±1.00	±1.30	±2'	

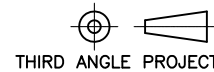


PCB LAYOUT



ITEM	NAME OF PART	MATERIAL	NOTES
3	Nut	Brass	/
2	Pin header 1	Copper alloy	Sn Plated
1	Housing	PA66	UL94V-0

DETACHED LISTS



APPD:	MA_07/24/19 '	Golten 宁波冠泰电子有限公司 NINGBO GOLTEN ELECTRONICS CO., LTD.	
CHKD:	/	NAME:	15EGTRHBM-3.5-XXP-XX-00AH
DRFT:	Nick_07/24/19 '	TITLE:	CUSTOMER DRAWING
		REV	DO-1
		DRAWING NO.:	15EGTRHBM-3.5-C01
		SHEET	1/1
		SCALE	1:1

MM (INCH)

DO NOT SCALE DRAWING