

REV	CONTENT	CHK	DATE
V0.0	CONTENT	SYJ	25.01.06

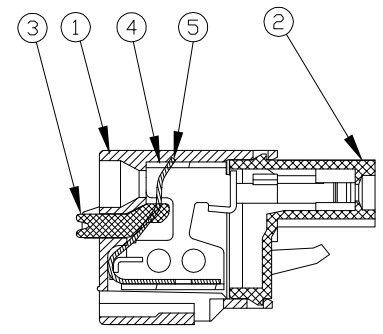
Electrical :

- |  |               |                        |
|--|---------------|------------------------|
|  | UL            | IEC                    |
| 1.Rated Voltage :                      | 300V          | 320V                   |
| 2.Rated Current :                      | 12A           | 20A                    |
| 3.Wire Range:                          | 26-12AWG      | 0.2-2.5mm <sup>2</sup> |
| 4.Stripping Length :                   | 9-10mm        |                        |
| 5.Withstanding Voltage :               | AC2500V/1Min. |                        |
| 6.Operating Temperature :              | -40°C~ +105°C |                        |
| 7.RoHS Compliance                      |               |                        |
| 9."★" is the key quality control point |               |                        |

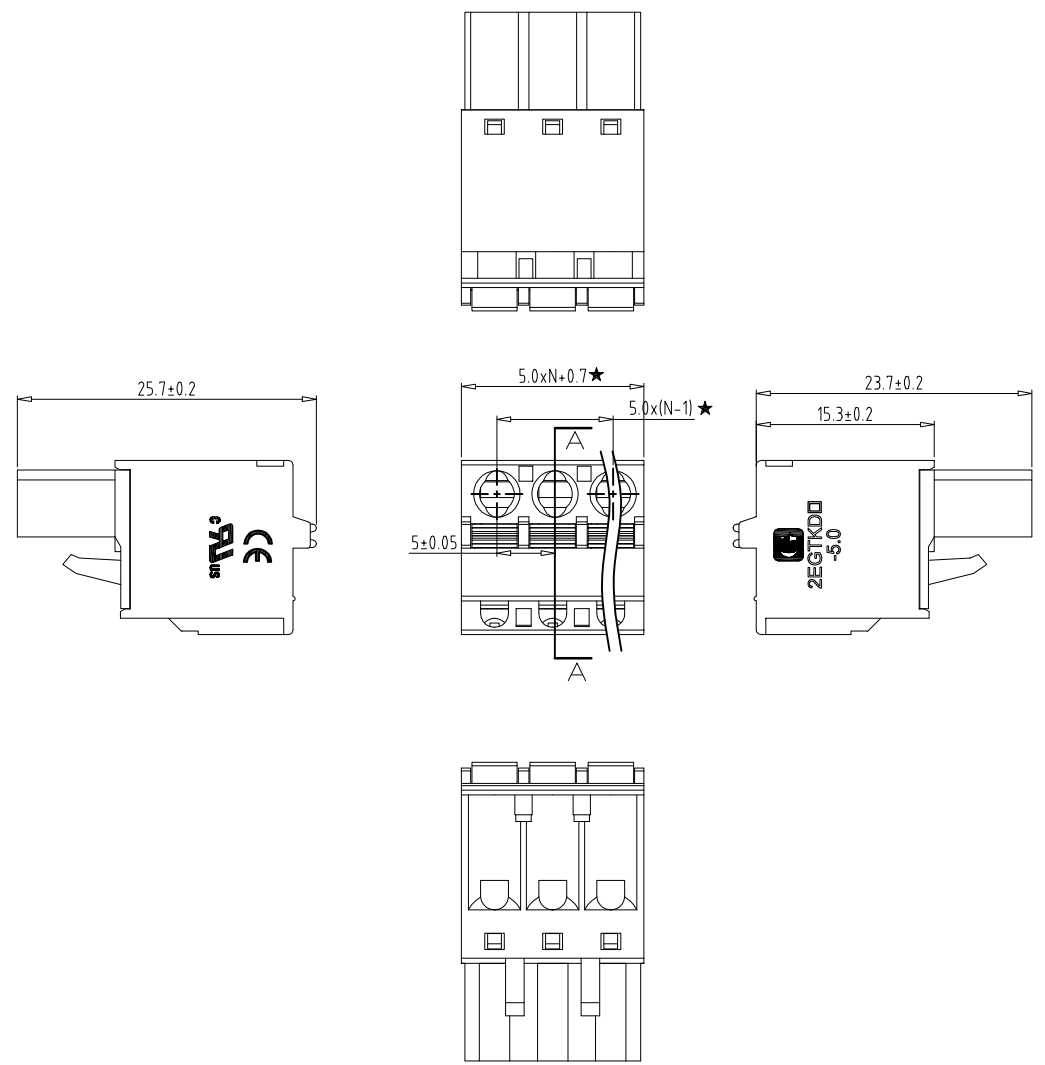
2EGTKD - 5.0 - XXP - X X - 00

① ② ③ ④ ⑤ ⑥

- ① Series NO.      ④ 1 Single Pitch
- ② Pitch
- ③ Poles  
02 02Contacts  
03 03Contacts  
...  
24 24Contacts
- ⑤ Color: 1 Grey  
2 Blue  
3 Black  
4 Green  
5 Orange  
6 Red  
7 Transparent  
8 Yellow  
9 White
- ⑥ Customer Request: 00--Standard



SECTION A-A



5	Spring	XXXXXX	P	Stainless steel	/
4	Clamp	XXXXXX	P	COPPER ALLOY	Tin Plated
3	Button	XXXXXX	P	PA66	UL94V-0
2	Cover	XXXXXX	1	PA66	UL94V-0
1	Housing	XXXXXX	1	PA66	UL94V-0
ITEM	NAME OF PART	NO. OF PART	Q'TY	MATERIAL	NOTE
DWG.	SYJ	DATE	25.01.06	SIZE	A4 UNITS mm SHEET/OF 1/1
CHK.		DATE		SCALE	1:1
APP.		DATE		NAME	2EGTKD-5.0-XXP-XX-00
				DWGNO.	XXXX

Total Pitch Tolerances in mm										Nominal dimension range in mm										⊥	=	-	//					
over 0	over 30	over 53	over 70	over 90	over 115	over 150	over 250	over 350	over 500	over 0	over 30	over 53	over 70	over 90	over 115	over 150	over 200	over 250	over 320	over 0	over 10	all	over 100	over 150				
±0.18	±0.20	±0.25	±0.3	±0.35	±0.44	±0.60	±0.70	±0.85	±0.20	±0.25	±0.30	±0.35	±0.44	±0.55	±0.70	±0.80	±0.90											

**Grolten** 宁波冠泰电子有限公司  
NINGBO GOLTEN ELECTRONICS CO., LTD.