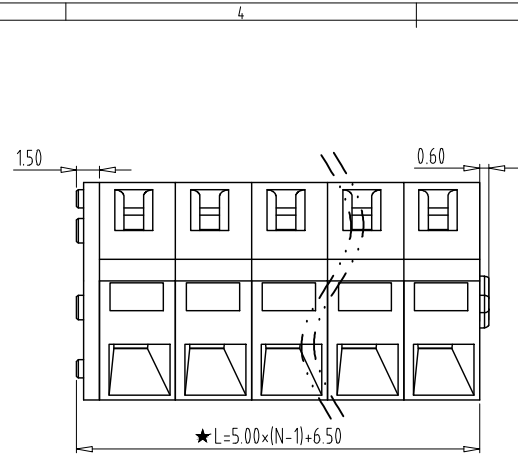
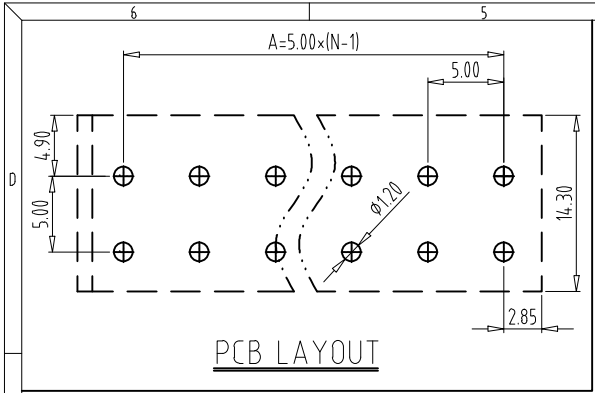
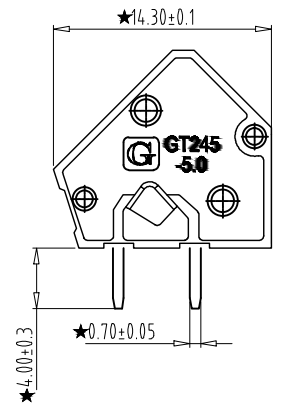
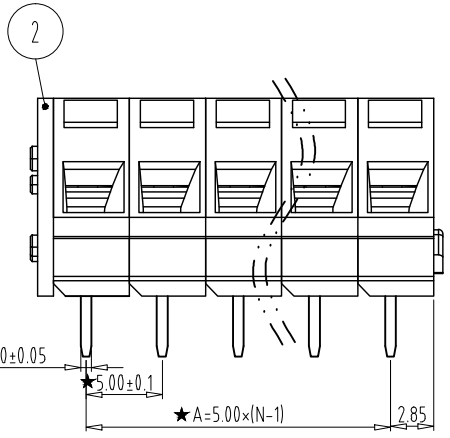
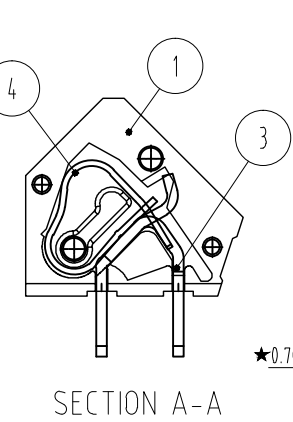
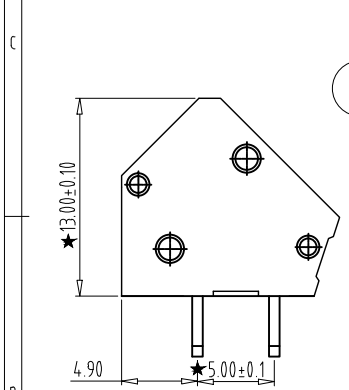


REV	CONTENT	CHK	DATE
V0.0	CONTENT	EXL	20.05.20



**Electrical :**

- |   |                |                        |
|---|----------------|------------------------|
|   | UL             | IEC                    |
| 1. Rated Voltage :                      | 300V           | 450V                   |
| 2. Rated Current :                      | 15A            | 17A                    |
| 3. Wire Range:                          | 28-12AWG       | 0.2-2.5mm <sup>2</sup> |
| 4. Stripping Length :                   | 6-7mm          |                        |
| 5. Withstanding Voltage :               | AC2500V/1Min.  |                        |
| 6. Operating Temperature :              | -40 °C~+105 °C |                        |
| 7. RoHS Compliance                      |                |                        |
| 8. Safty Approval :                     | CE             |                        |
| 9. "★" is the key quality control point |                |                        |



- GT245 - 5.0 -XXP - X X - 00
- |               |         |               |                                    |  |                                  |
|---------------|---------|---------------|------------------------------------|--|----------------------------------|
| ①             | ②       | ③             | ④                                  | ⑤  | ⑥                                |
| ① Series NO.  | ② Pitch | ③ Poles       | ④ 1 Single Pitch<br>2 Double Pitch | ⑤ Color: 1 Grey<br>2 Blue<br>3 Black<br>4 Green<br>5 Orange<br>6 Red<br>7 Transparent<br>8 Yellow<br>9 White | ⑥ Customer Request: 00--Standard |
| 02 02Contacts |         | 03 03Contacts |                                    |  |                                  |
| 24 24Contacts |         |               |                                    |  |                                  |

4	SHRAPNEL	XX	P	Stainless steel	/
3	CLAMP	XX	P	PHOSPHOR BRONZE	Tin Plated
2	COVER	XX	1	PA66 UL94V-0	SEE NOTE
1	HOUSING	XX	P	PA66 UL94V-0	SEE NOTE
ITEM	NAME OF PART	NO. OF PART	Q'TY	MATERIAL	NOTE
DWG.	CXL	DATE	20.05.11	SIZE	A4 UNITS mm SHEET/OF 1 / 1
CHK.	DATE		SCALE	1:1	
APP.	DATE		NAME	GT245-5.0-XXP-XX-00	
			DWGNO.	XXXX	

Total Pitch Tolerances in mm										Nominal dimension range in mm										⊥		≡		—		//	
over	over	over	over	over	over	over	over	over	over	over	over	over	over	over	over	over	over	over	over	0	over	0	over	0	over	0	over
0	30	53	70	90	115	150	250	350	500	0	30	53	70	90	115	150	200	250	320	0	10	0	100	0	100	0	150
to	to	to	to	to	to	to	to	to	to	to	to	to	to	to	to	to	to	to	to	to	to	to	to	to	to	to	to
±0.18	±0.20	±0.25	±0.3	±0.35	±0.44	±0.60	±0.70	±0.85	±0.20	±0.25	±0.30	±0.35	±0.44	±0.55	±0.70	±0.80	±0.90	0.2	0.3	0.3	0.3	0.2	0.3	0.3	0.5		