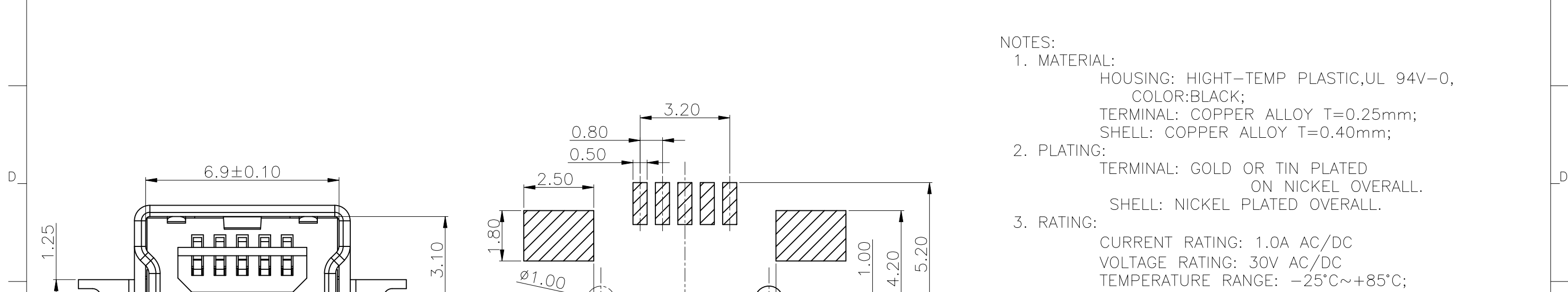
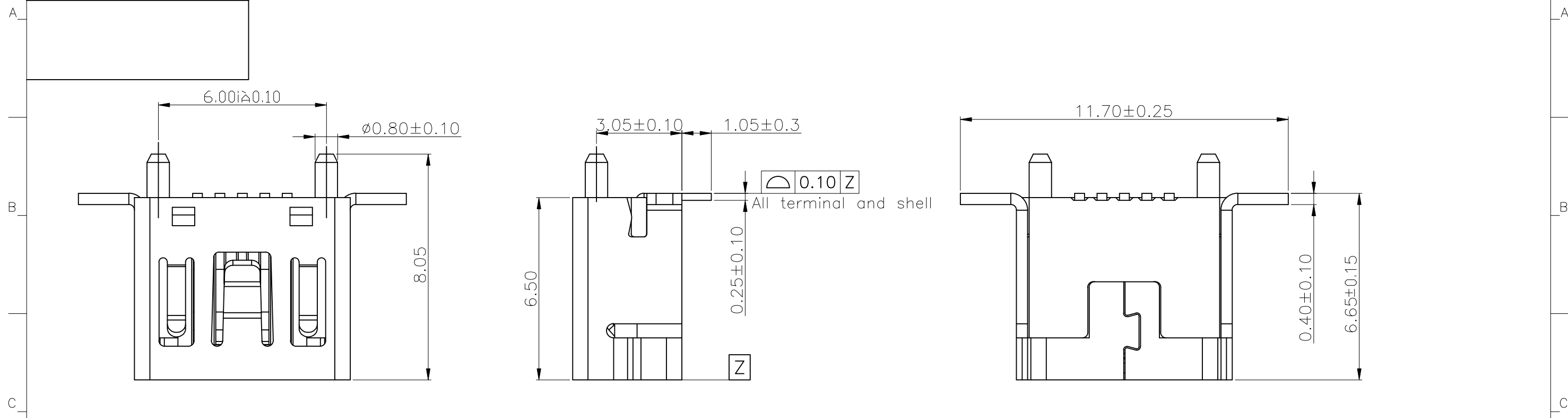


REV	DESCRIPTION	DATE	APPROVED
A0	出版发行	2020.07.16	LDC



NOTES:  
 1. MATERIAL:  
 HOUSING: HIGHT-TEMP PLASTIC,UL 94V-0,  
 COLOR:BLACK;  
 TERMINAL: COPPER ALLOY T=0.25mm;  
 SHELL: COPPER ALLOY T=0.40mm;  
 2. PLATING:  
 TERMINAL: GOLD OR TIN PLATED  
 ON NICKEL OVERALL.  
 SHELL: NICKEL PLATED OVERALL.  
 3. RATING:  
 CURRENT RATING: 1.0A AC/DC  
 VOLTAGE RATING: 30V AC/DC  
 TEMPERATURE RANGE: -25°C~+85°C;



Product name:

DWG.NO	DATE	DESIGN	APPROVED	Tolerance		DNIT	mm
	2020.07.16	LIN LING	LDC	X	± 0.50	X.°	± 2°
				X.X	± 0.30	X.X°	± 1°
				X.XX	± 0.10		
				X.XXX	± 0.05		

SCALE: 1:1  
 MANUFACTURERS: BLX

RECOMMEND PCB LAYOUT  
 TOLERANCE:±0.05

All specifications above are owned by Shenzhen Beilaixing Technology Co. , Ltd. , patented products, imitation is prohibited.