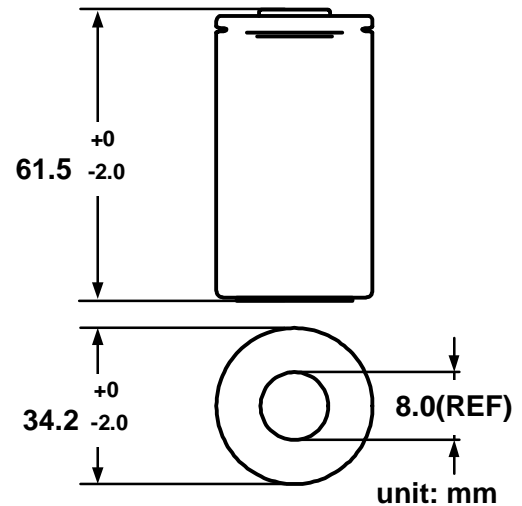
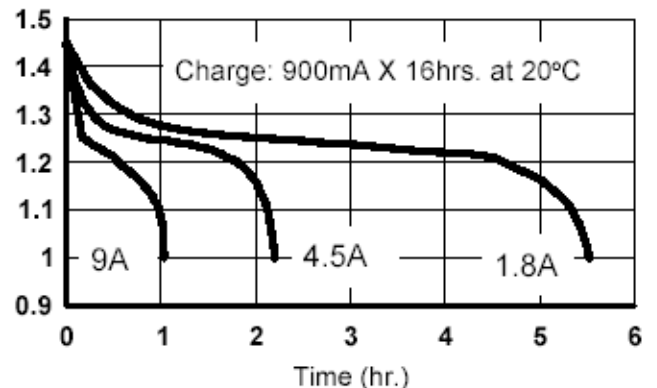


Model No.: **GP900DHC**

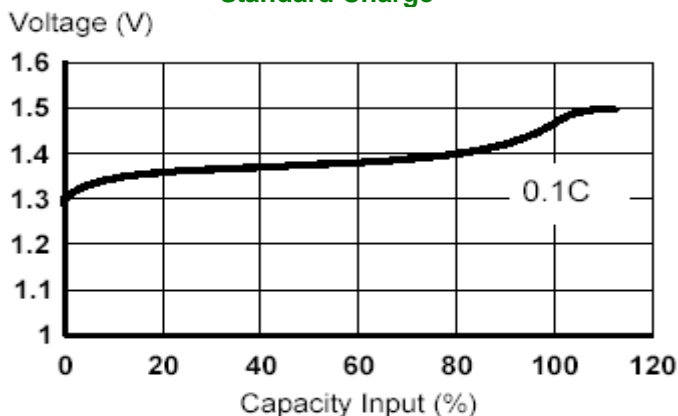
Type	: Rechargeable Nickel Metal Hydride Cylindrical Cell
Nominal Dimension (with Sleeve)	: $\Phi = 34.2\text{mm}$ H = 61.5mm
Applications	: Recommended discharge current 1800mA to 27A(continuous)
Nominal Voltage	: 1.2V
Capacity	: Nominal: 9000mAh Minimum: 9000mAh Typical: 9000mAh When discharged at 1800mA to 1.0V at 20°C
Charging Condition	: 900mA for 16hrs at 20°C
Service Life	: > 500 cycles (IEC standard) Up to 1000 cycles (not less than 60% of nominal at 0.1C charge / 0.2C discharge)
Continuous Overcharge	: 900mA maximum current for 1 year. No conspicuous deformation and/or Leakage
Weight	: 173g
Internal Resistance	: Average 6m Ω upon fully charged (Range 4-8m Ω) at 1000Hz
Max. Charging Voltage	: 1.5V at 900mA charging
Ambient Temperature Range	: Standard Charge : 0 to 40°C Discharge : -20 to 50°C Storage : -20 to 35°C Storage (1 week) : -20 to 60°C



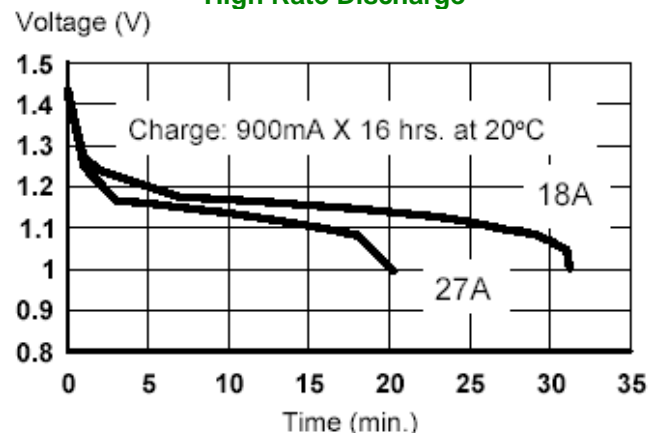
Voltage (V) **Low Rate Discharge**



Standard Charge



High Rate Discharge



The information (subject to change without prior notice) contained in this document is for reference only and should not be used as a basis for product guarantee or warranty. For applications other than those described here, please consult your nearest GP Sales and Marketing Office or Distributors.