

PRODUCT NUMBER
76383-YXXLF

PLATING

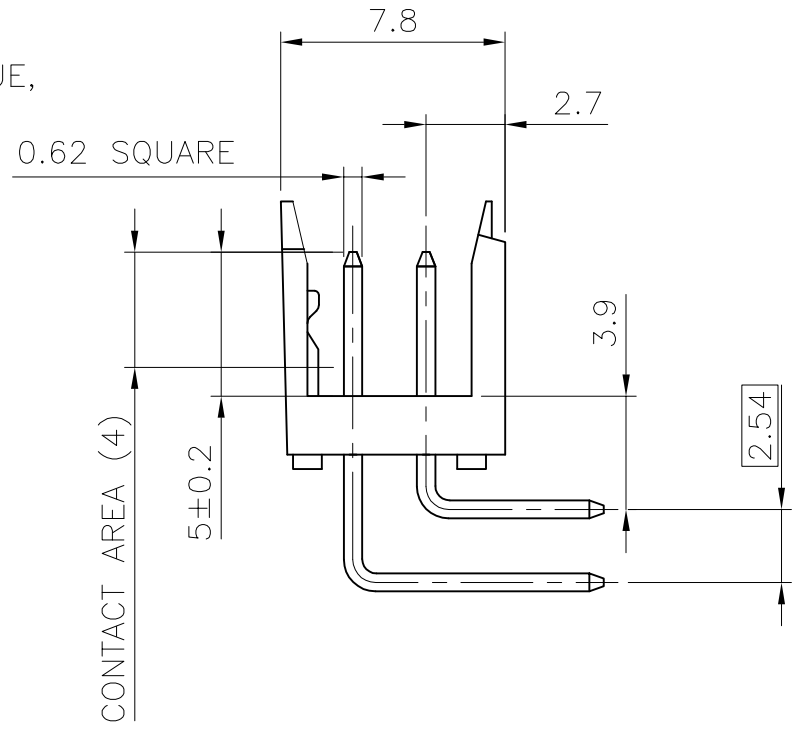
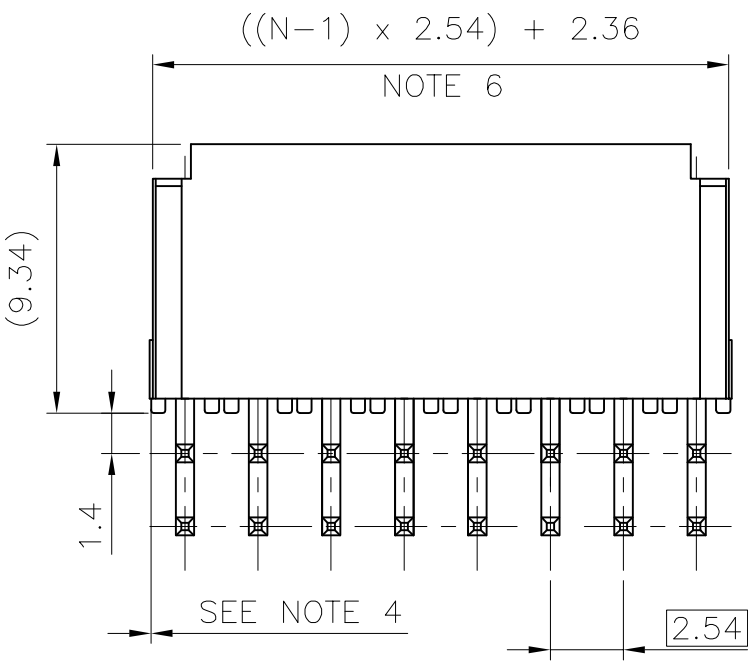
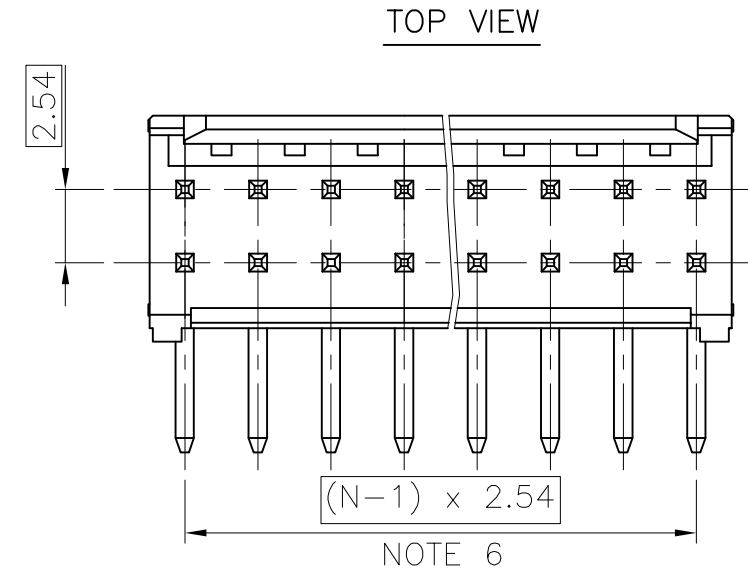
3=0.76µm GOLD/GXT ON CONTACT AREA
3.81µm TIN-LEAD ON TAIL

4=3.81µm TIN-LEAD ON CONTACT AREA
AND ON TAIL

WHEN "LF" IS REQUIRED, 2µm MIN
MATTE TIN OVER 1.27µm MIN NICKEL
IS PROVIDED INSTEAD OF TIN-LEAD

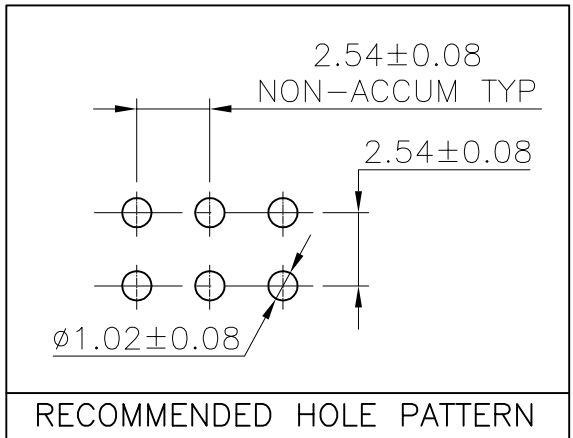
WHEN REQUIRED, ADD SUFFIX LETTER "LF"
INDICATES THE PRODUCT IS RoHS
COMPATIBLE, SEE NOTE 7

NUMBER OF POSITIONS PER ROW: 04 TO 36



NOTES:

1. BODY MATERIAL: POLYESTER 30% GLASSFILLED COLOR BLUE, FLAME RETARDANT PER UL-94 V0.
2. CONTACT MATERIAL: PHOSPHOR BRONZE.
3. 22N MIN PIN RETENTION IN EITHER DIRECTION
4. 0.6 MAX PROTRUSION PERMITTED AT 4 PLACES
5. PACKAGING :
- POLYBAGS FROM 2 x 02 TO 2 x 06 POSITIONS
- TUBE FROM 2 x 07 TO 2 x 36 POSITIONS
6. TO DETERMINE DIMENSIONS :
N = NUMBER OF POSITIONS PER ROW
EXAMPLE : 8 POS N x 2.54 = 20.32mm
7. RoHS COMPATIBLE PRODUCT SPECIFICATIONS
 - a - PLATING:
- "LF" MEANS THE PRODUCT IS LEAD-FREE,
2µm MINIMUM MATTE TIN OVER 1.27µm
MINIMUM NICKEL UNDERPLATE.
 - b - MANUFACTURING PROCESS COMPATIBILITY
- THE HOUSING WILL WITHSTAND EXPOSURE TO
245°C ±5°C SOLDER BATH TEMPERATURE FOR
5 SECONDS IN A WAVE SOLDER APPLICATION
WITH A 1.6mm MIN THICK CIRCUIT BOARD.
 - c - LABELING:
- MEETS PACKAGING SPECS AS PER GS-14-920
 - d - LEGAL STATEMENT: SEE GS-22-008



mat'l. code				surface	tolerance	projection	product family
SEE NOTE				ISO 1302	ISO 406	ISO 1101	DUBOX
ltr	ecn no	dr	date	tolerances unless	otherwise specified	mm	title
E	F00133	DLE	00.02.21	angles	.X ±0.3		
F	F10120	DLE	01.01.24	linear	.XX ±0.15	scale 5:1	
G	F05-0117	LMU	05.01.31		.XXX ±0.05		FCJ
H	F05-0244	JCO	05.09.06	dr	D.LE	01.01.24	
J	F06-0228	LMU	06.07.11	enr	JM.C	01.01.24	sheet 1 of 1
K	F06-0333	LMU	06.12.06	chr	JM.C	01.01.24	size
L	F08-0147	YOV	08.04.14	appd	JF.N	01.01.24	A3
sheet index				revision			type
				sheet			CUSTOMER Drawing



Copyright FCJ