

Revised Record

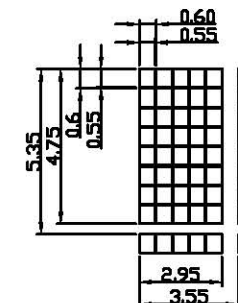
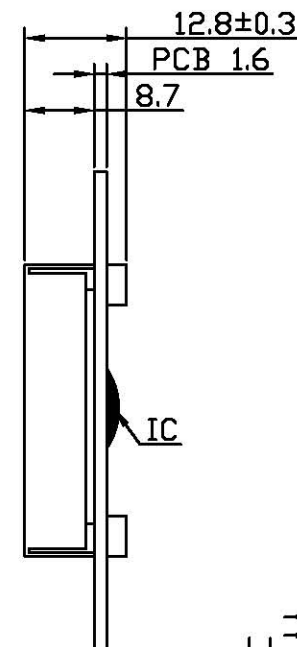
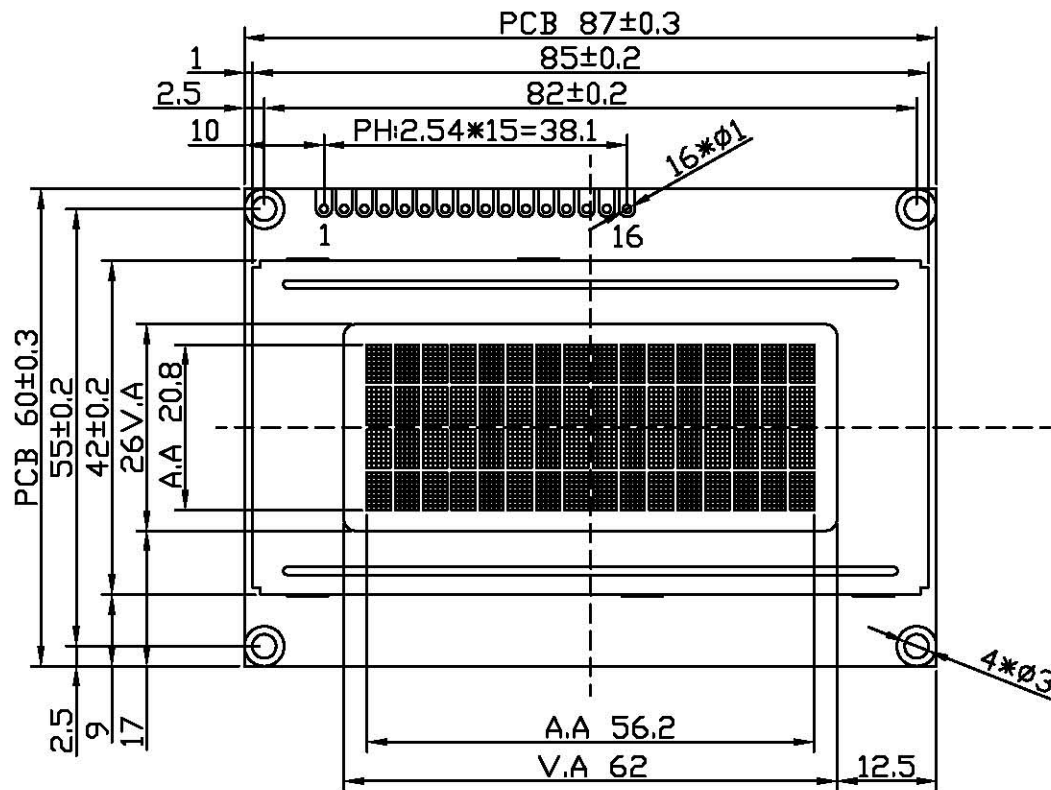
1.0

New issue

2010-04-21

INTERFACE

1	VSS
2	VDD(5V)
3	V0
4	RS
5	RW
6	E
7	DB0
8	DB1
9	DB2
10	DB3
11	DB4
12	DB5
13	DB6
14	DB7
15	LED-A(5V)
16	LED-K

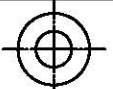
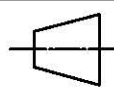


DOT SIZE:

NOTES:

- |                            |                                  |
|----------------------------|----------------------------------|
| 01. DISPLAY TYPE:          | FSTN/POSITIVE/TRANSFLECTIVE RoHS |
| 02. OPERATING VOLTAGE:     | VOP=4.8V,VDD=5.0V                |
| 03. OPERATING TEMPERATURE: | -20°C~+70°C                      |
| 04. STORAGE TEMPERATURE:   | -30°C~+80°C                      |
| 05. DRIVE MODE:            | 1/16DUTY,1/5BIAS                 |
| 06. VIEWING DIRECTION:     | 6:00                             |
| 07. DRIVE IC:              | SPLC780D                         |
| 08. CONNECTOR:             | ZEBER                            |
| 09. BACKLIGHT:             | LED(WHITE)                       |
| 10. CUSTOMER'S PART ID:    | BLAZE_STANDARD_PRODUCT           |

**BLAZE** Blaze Display Technology Co.,Ltd.

DESIGNED BY: BDT-18	BCB1604-01A-SERIES	VERSION: 1.0
CHECKED BY: BDT-06	 	PAGE 1 OF 1
APPROVED BY: BDT-01		UNIT: mm
Website: <a href="http://www.blazedisplay.com">http://www.blazedisplay.com</a>		DATE: 2010-04-21