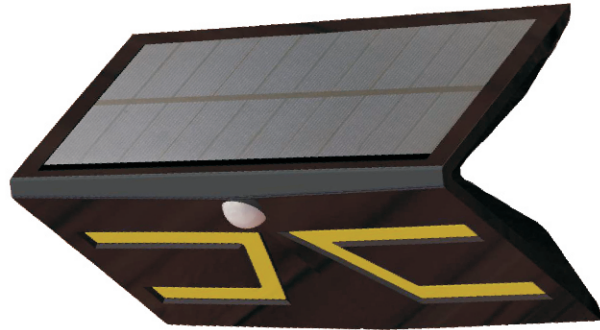


Smart LED Solar&Inductive Wall Light

Product specification



Applications

Widely used in gates, courtyards, walls, and any other place where with plenty of sunlight. It can be applied to lighting and decoration at night.

Product Features

- **Aspect:** the light has two colors :ceramic white ,matte black .Creative planted design,beautiful appearance.
- **Material:**Material using ABS plastic ,which can be applied to the outside because of its excellent chemical properties.
- **Light source:** the new general technology for COB, high luminous efficacy (120lm/W), low lumens depreciation.(works 50000H the luminous keep 70% above of begining)
- **Using polycrystalline silicon solar cells,** high electrical efficacy(18%),18650 phosphoric acid iron battery inside,the volume is 3000mAh,non-memory effect, it can be charged 1000 times above,long discharge time. The battery is more durable than Li ion battery.
- **Controler:** intelligent-control-system be used on the light,it can realize four types with the infrared sensing.
- **PIR:** PIR detector is applied to the lamp,sensing distance from 0 to 8 meters.
- **Backlight:** the 3528 RGB light is designed to decorate the wall at night.It can realize red/green/blue changes between each other.



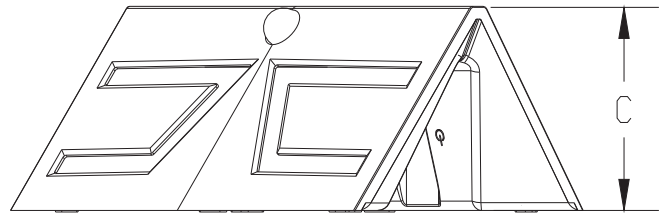
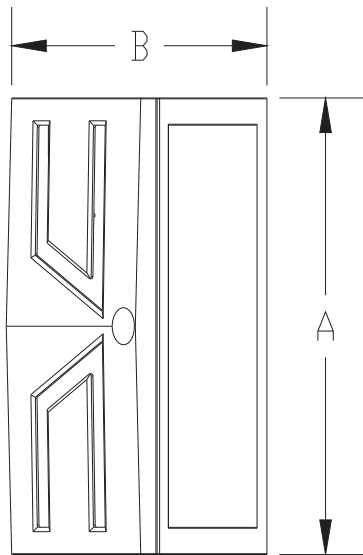
Smart LED Solar&Inductive Wall Light

Working Sketch



Smart LED Solar&Inductive Wall Light

Dimensional drawing



| A | B | C |
|-------|-------|------|
| 210mm | 116mm | 80mm |

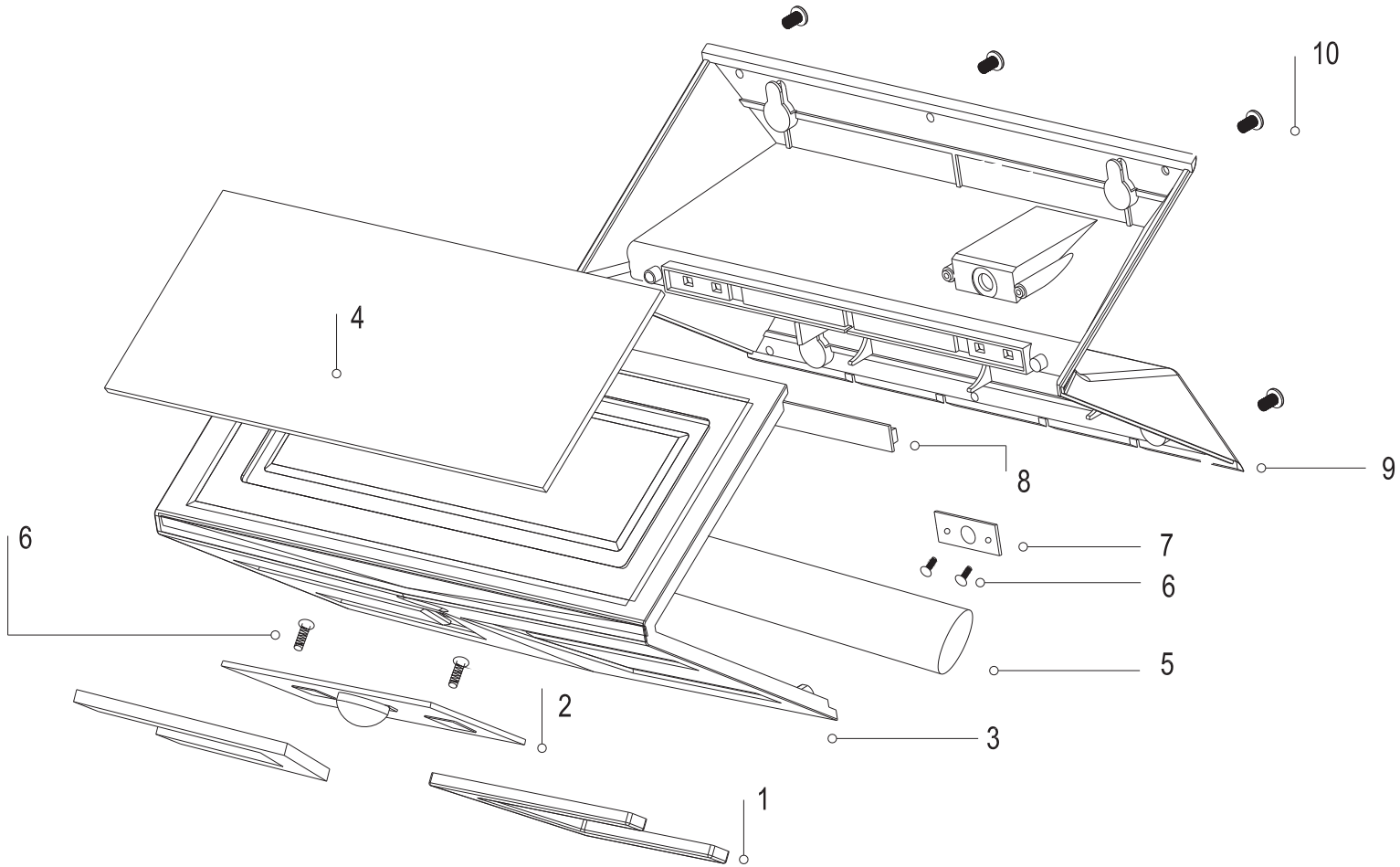
Technical data

| | |
|---------------------------|------------------|
| Battery Capacity | 3.2V/3000mA |
| Solar Panel | 5.5V/2.5W |
| Charge/Discharge Time | 6~8Hrs/>24Hrs |
| Power consumption | 5W |
| LED source | 2pcs COB 6000K |
| | 4pcs SMD 3528RGB |
| LuminousEfficiency (LM/W) | 100lm/W |
| IP Grade | IP65 |
| Sensing Distance/Angle | 0~8m/120° |
| Fixture Material | ABS |
| Light Angle | 120° |
| Working temperature | -20C°~40C° |
| Working humidity | (20-90)%RH |
| Storage temperature | -40C°~65C° |
| Storage humidity | (10-90)%RH |



Smart LED Solar&Inductive Wall Light

Explode diagram



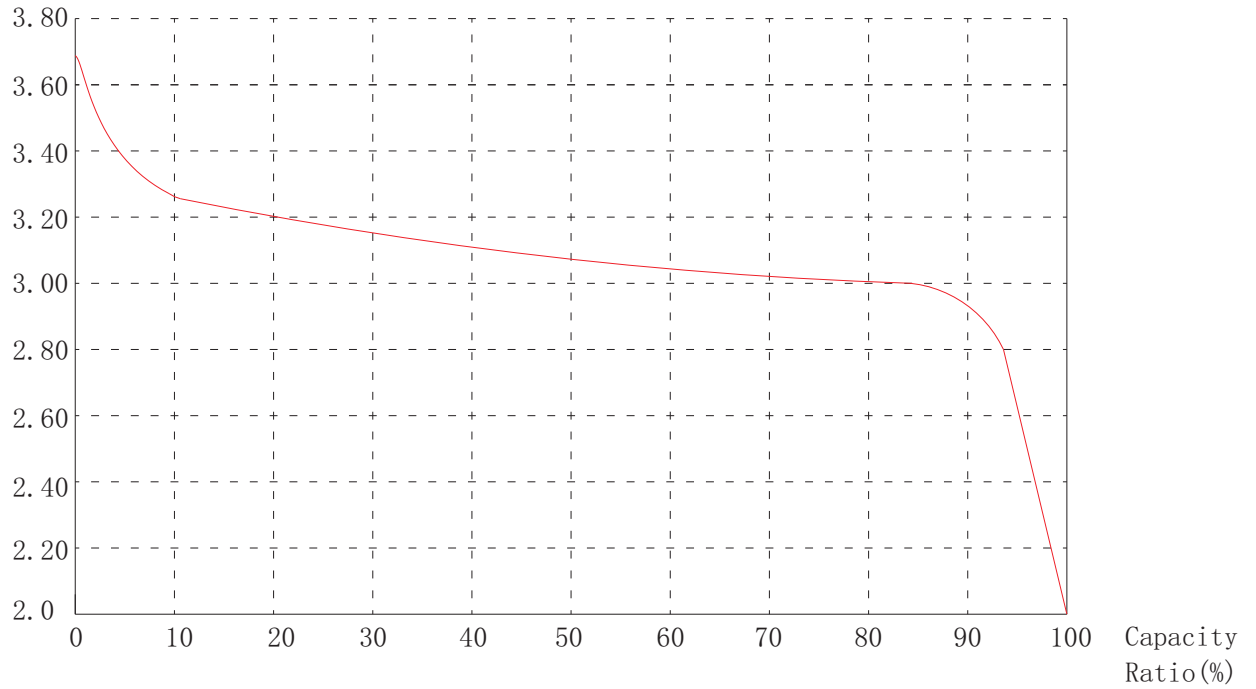
| | A | B | C | D | E | F |
|----|-----|----------------|---------------|-------------------------|----------|--------------|
| 1 | 10 | M3*8 Screw | | stainless steel | 6 | |
| 2 | 9 | Bottom Cabinet | | ABS | 1 | White/Black |
| 3 | 8 | SMD Panel | | 3528RGB | 1 | |
| 4 | 7 | Switch | | | 1 | |
| 5 | 6 | M1.8*4 Screw | | | 4 | |
| 6 | 5 | Li-LPE Battery | | Li-LPE | 2 | 3.2V/3000mAh |
| 7 | 4 | Solar Panel | | Polycrystalline silicon | 1 | 5.5V/2.5W |
| 8 | 3 | Front Cabinet | | ABS | 1 | White/Black |
| 9 | 2 | PIR Controller | | PIR | 1 | |
| 10 | 1 | COB Light | | COB | 2 | 6000K |
| 11 | NO. | NAME | MATERIAL CODE | MATERIAL | QUANTITY | REMARK |



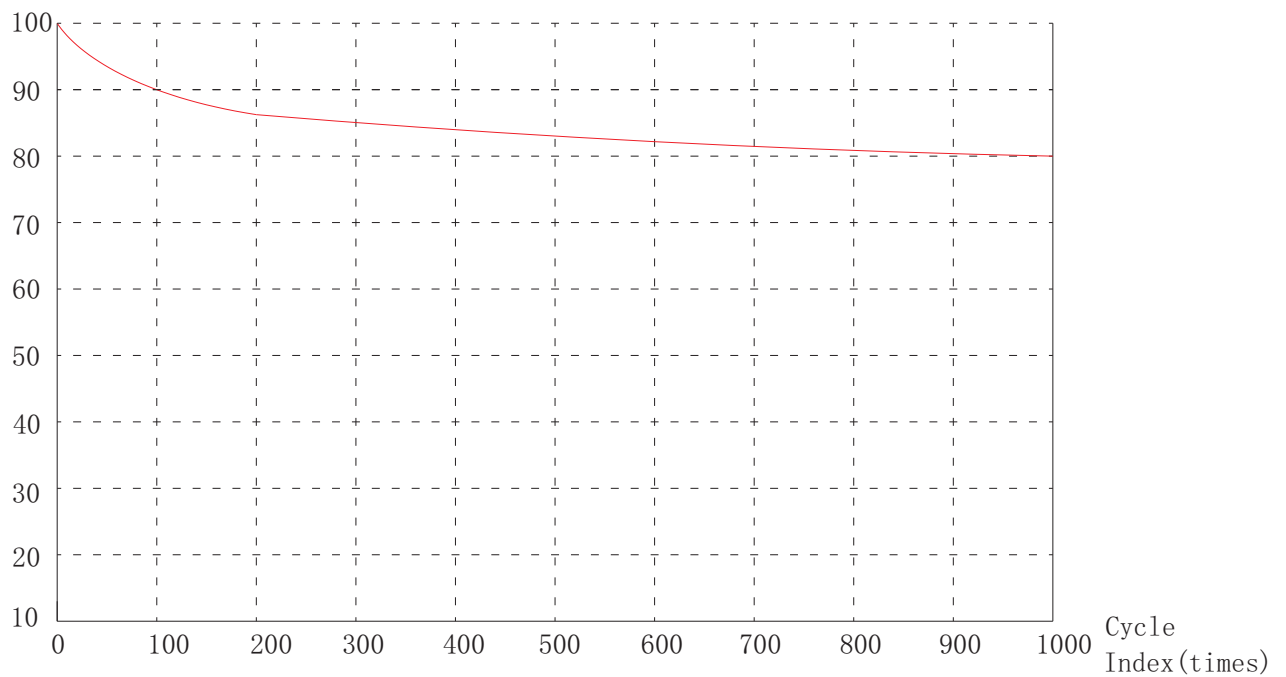
Smart LED Solar&Inductive Wall Light

Battery Characteristic Curves

Voltage(V)

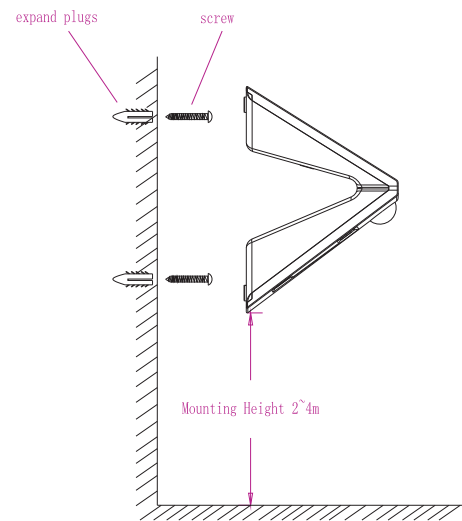


Capacity Ratio(%)

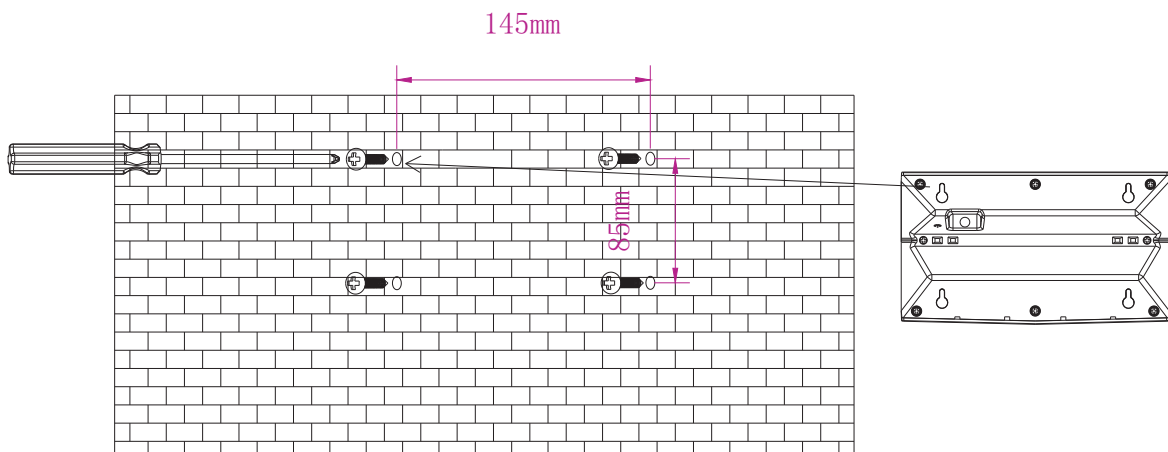


Smart LED Solar&Inductive Wall Light

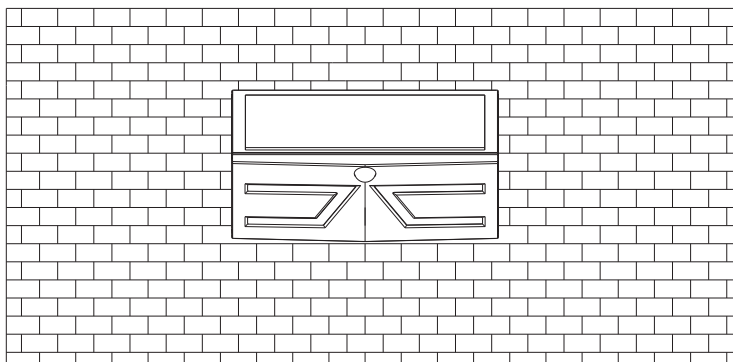
Installation wirings



1. Drilling on the wall, using the M4*25mm screw in the hole;



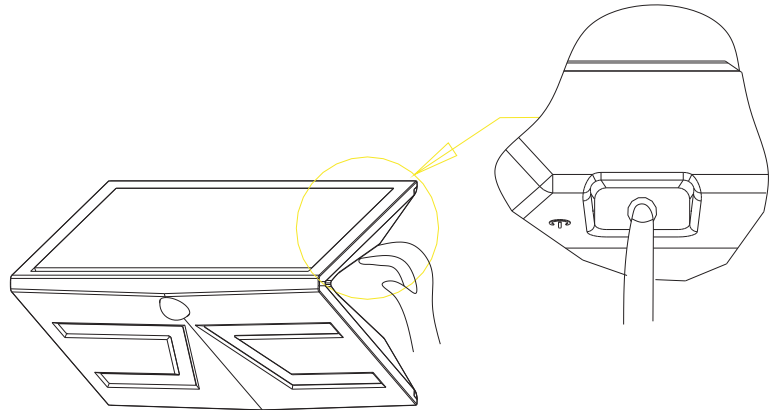
2. Fix the light on the wall with the screw ;



Smart LED Solar&Inductive Wall Light

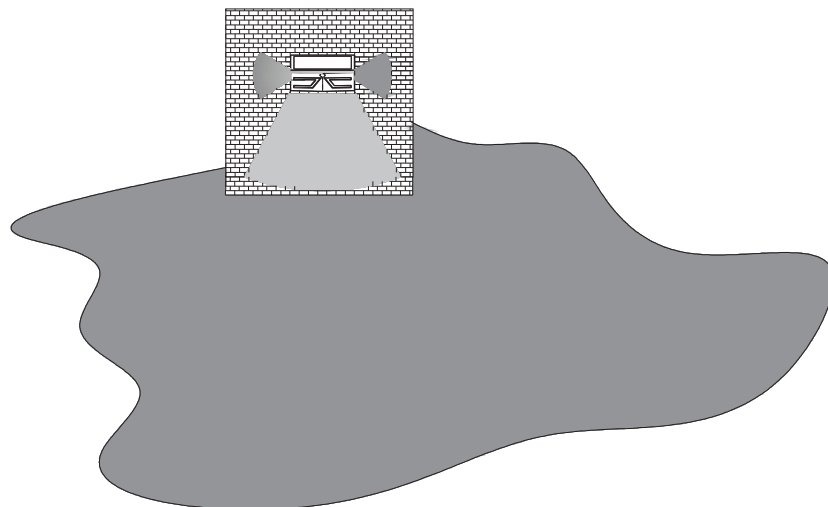
Application method

- ◆ After light is installed,press the button backside one/two/three/four times,you can choose several lighting models you like.
- ◆ The main lights will burn when people is coming,last for 15s.The back lights have blue/red/green three different colours can be selected,last for 1min .
- ◆ Press the button over 3s,the light turn off.



Working Mode

Model 1:No light when no motion for the main-light.Press the button one time,the main light will burn when people is coming,last for 15s,the back lights will turn into blue light,last for 1min .

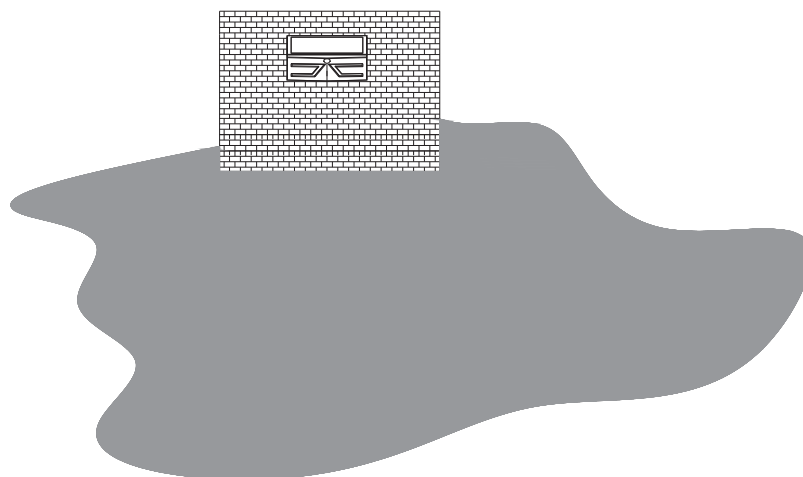
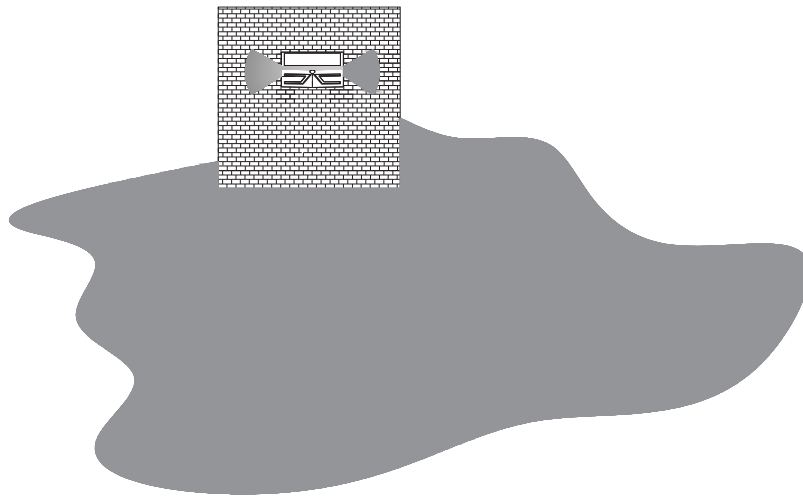


Smart LED Solar&Inductive Wall Light

Model 2: Press the button twice, the main lights will burn when people is coming, last for 15s. The back lights will turn into red light, last for 1min .

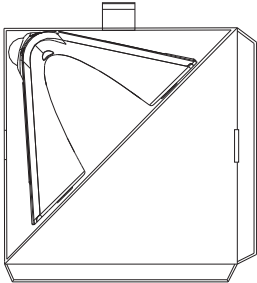
Model 3: Press the button three times, the main lights will burn when people is coming, last for 15s. The back lights will turn into green light, last for 1min .

Model 4: Press the button four times, the main lights will burn when people is coming, last for 15s. The back lights will change light be between blue, red and green, last for 1min .

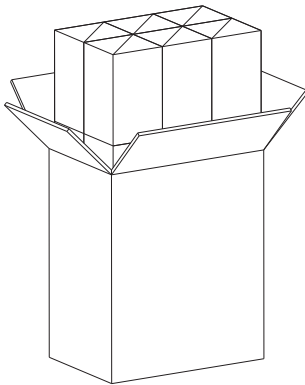


Smart LED Solar&Inductive Wall Light

Packing information



| Carton Size | Pcs/Ctn | G.W/Carton |
|---------------|---------|------------|
| 132*132*220mm | 1 | 0.5 KG |



| Carton Size | Pcs/Ctn | G.W/Carton |
|---------------|---------|------------|
| 540*275*450mm | 32 | 18KG |

Installation Notes

1. Before the installation, Please read the product specifications carefully , and confirm if the conditions of operating environment are compliance with the specifications.
2. This light is solar powered; please install it in place with adequate sunlight.
3. The lamp is suitable for outdoor useage.
4. If you plan to use the light a shaded or indoor area, please choose a battery pow.
5. Don't disassemble the product by yourself, in order to avoid damage to the internal components. Disassemble have no quality service.
6. Please don't put the uncharged battery in one area over three months.

After-sales service

Under normal conditions, the warranty are two years. While the quality assurance is based on the correct preservation, installation, usage and maintenance. And due to improper installation, break the rules of products operation procedures, and caused by damage to the product, don't fall within the scope of this warranty. Any quality problems during the warranty period, our company will choose to repair, replacement(parts) or replace the new products and other methods to solve them. Exceed the quality warranty period will be charged the appropriate materials, labor costs.

