

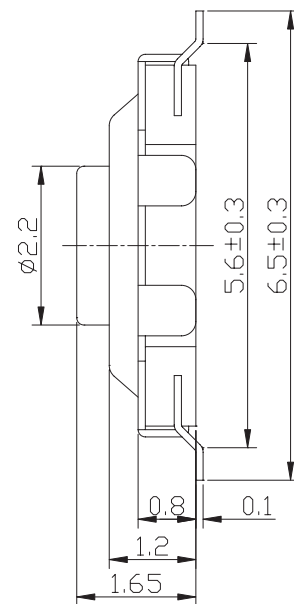
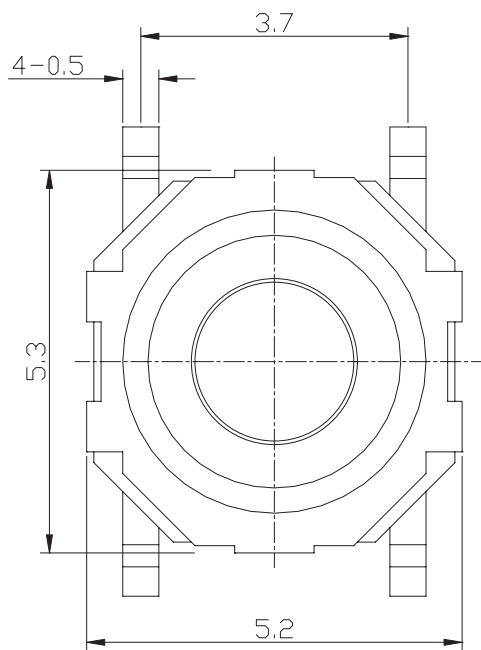
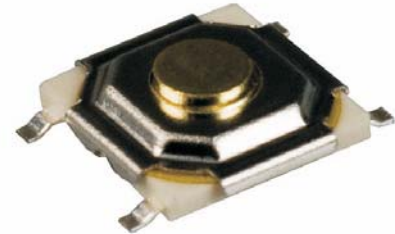
Switch

Tact Switch Series

TS4406 5.20 x 5.20mm Tact Switch Series Brass push button

ELECTRICAL

1. Rating: 20mA 12Vdc
2. Contact Resistance : 50mΩ Max.
3. Insulation Resistance: 100MΩ Min.
4. Dielectric Strength : AC250V(50/60Hz for 1minute)
5. Electrically Life: 100, 000cycles
6. Environment temperature: -25°C~+70°C
7. Operating Force: 180~250±30gf
8. Seal temperature: 260°C~ 280°C



ORDER INFORMATION

TS4406 - 180 -B
Part Number Packing: B-Bulk T-Tape
Operating Force :180±30gf