

P/N :WTL2L12727

SEAM SEALED CERAMIC 2.5*2.0mm SMD



Customer	WTL
	Approved by: Xoxo Lee
	Checked by: Susan He
	Issued by: Sheryl Xia

SPECIFICATION

P/N :WTL2L12727

SEAM SEALED CERAMIC 2.5*2.0mm SMD

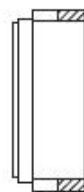
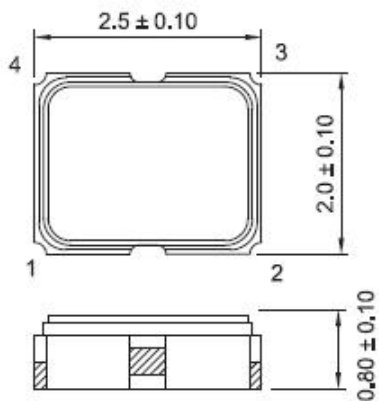
FEATURE

- Very small SMD seam sealed clock crystal oscillators.
- For applications in WLAN, Bluetooth, DSC. DSL and other IT product
- RoHS compliant and pb free.

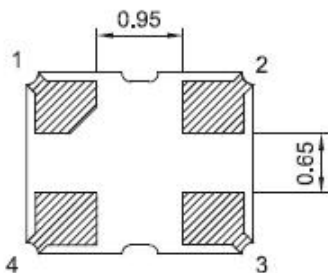
ELECTRICAL SPECIFICATIONS

Frequency Range	16.000MHz
Output Type	CMOS
Output Load	15pF
Oscillation Mode	Tri-State
Supply Voltage	3.3V
Frequency Stability	±50ppm
Voltage Vol(Max)/Voh(Min)	0.1VDD/0.9VDD
Operating Temperature Range	-20°C-+70°C
Storage Temperature Range	-55°C-+125°C
Voltage Vol(Max.)/ Voh(Min.)	0.1VDD/ 0.9VDD
Rise(Tr)/Fall(Tf) Time	10ns Max
Supply Current	15mA Max
Symmetry	40/60%
Start-up Time	10ms Max
Phase Jitter(12KHz-20MHz)	2ps Max
Aging(at 25°C)	±3ppm/year Max

DIMENSIONS (Unit: mm)



PAD FUNCTION:
1:ENABLE CONTROL
2:GND
3:OUT
4:VDD



Suggested Layout

