

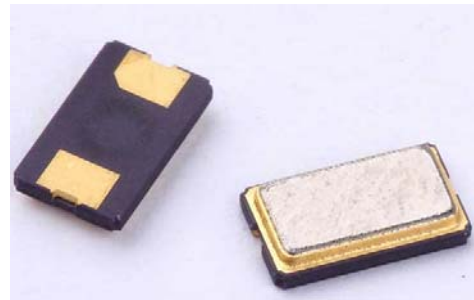
# P/N:WTL6S12029

SEAM SEALED CERAMIC 6 X 3.5MM SMD



## FEATURE

- Leadless type.
- Automatic mounting.
- Rugged AT-cut crystal construction
- Emboss taping specification.
- Suitable for solder Reflow.
- Available on tape and reel ,1000pcs per reel



## APPLICATIONS

- Ideally suited designed for disc drives, NB, PCs and hand-held electronic products

## ELECTRICAL SPECIFICATIONS

Output Frequency Range	16.000MHz
Mode	Fundamental/AT
Frequency Tolerance (at 25°C)	±20ppm
Frequency Stability Over Operating Temperature Characteristics	±30ppm
Storage Temperature Range	-55 °C to +125 °C
Operating Temperature Range	-40 °C to + 85°C,
Shunt Capacitance (C <sub>0</sub> )	5.0 pF Max
Driver Level (Typical)	10μW~100μW
Load Capacitance(C <sub>L</sub> )	18pF
Equivalent Series Resistance ESR (Ω)	AS BELOW CHART
Aging @25°C 1 <sup>st</sup> year (Max)	±3ppm/year
Shock Resistance	Drop test of 3 times on 2mm stainless plate from 75cm height

**REMARK:** SPECIFICATIONS SUBJECT TO CHANGE WITHOUT PRIOR NOTICE. PLEASE CONFIRM WITH OUR SALES ENGINEER.

## Frequencies and Equivalent Series Resistant

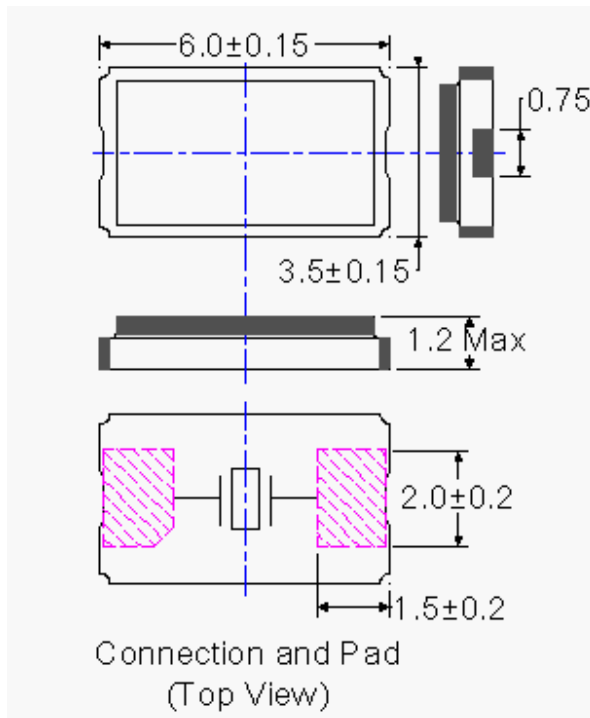
Frequency Range	E.S.R. (Ω)	Mode
8.000 MHz ~ 10.000 MHz	70 Max	Fundamental / AT
10.000 MHz ~ 30.000 MHz	40 Max	Fundamental / AT
30.000 MHz ~ 45.000 MHz	60 Max	Third Overtone / AT
45.000 MHz ~ 80.000 MHz	50 Max	Third Overtone / AT

**P/N:WTL6S12029**

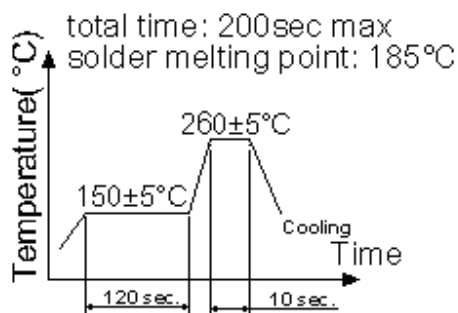
**SEAM SEALED CERAMIC 6 X 3.5MM SMD**



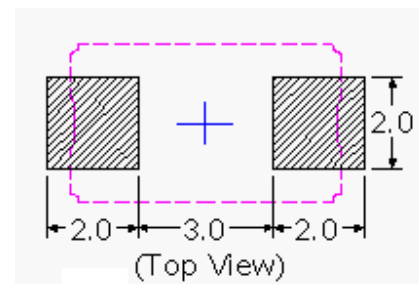
**Dimension**



**Reflow Condition**



**Reference Land Pattern**



**PACKING**

