

Application

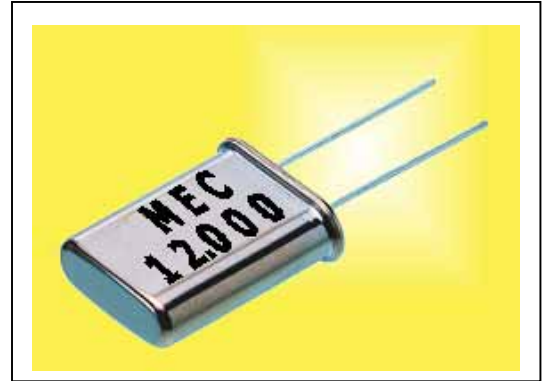
Microprocessor Clock, Network Card, A/V Card
Cable Modem, Consumer Electronic products,
Security System, Audio Equipment.

Features

The HC49U is Metal Package with resistance
Weld Sealed, Lead-free compliance, high reliable,
tight tolerance and stability.

Generic Specification

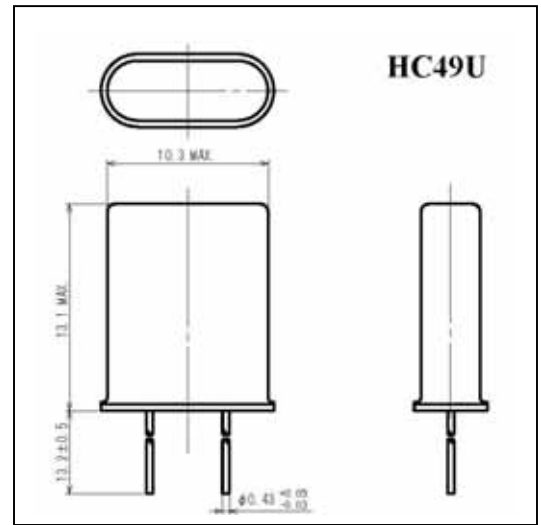
Nominal Frequency Range	1.800MHZ — 40.000MHZ	20.000MHZ — 105.000MHZ
Vibration Mode	Fundamental	Third Overtone
Temperature Stability at 25°C	+/-20PPM; +/-30PPM;	+/-50PPM; +/-100PPM
Frequency Tolerance at 25°C	+/-10PPM; +/-20PPM;	+/- 30PPM; +/-50PPM;
Load Capacitance	Series, 10pF, 12pF, 16pF, 18pF, 20pF, 30pF	
Operating Temperature Range	-10°C — +60°C ; -20°C — +70°C ; -40°C — +85°C	
Storage Temperature Range	-40°C — +85°C	
Drive Level	10uW (100uW max.)	
Aging Rate at 25°C	+/-5 PPM per year Max	



External Dimension (Unit: mm)

Frequency Range and ESR

Nominal Frequency Range	Equivalent Series Resistance	
	AT cut Fundamental	AT cut Third Overtone
1.800MHZ — 1.999MHZ	600 Ohm Max	
2.000MHZ — 2.399MHZ	450 Ohm Max	
2.400MHZ — 2.999MHZ	350 Ohm Max	
3.000MHZ — 3.199MHZ	200 Ohm Max	
3.200MHZ — 3.499MHZ	150 Ohm Max	
3.500MHZ — 3.999MHZ	90 Ohm Max	
4.000MHZ — 6.999MH	60 Ohm Max	
7.000MHZ — 14.999MHZ	35 Ohm Max	
15.000MHZ — 40.000MH	25 Ohm Max	
20.000MHZ — 24.999MHZ		50 Ohm Max
25.000MHZ — 105.000MHZ		40 Ohm Max



Outline Diagram

