

WiFi Antenna

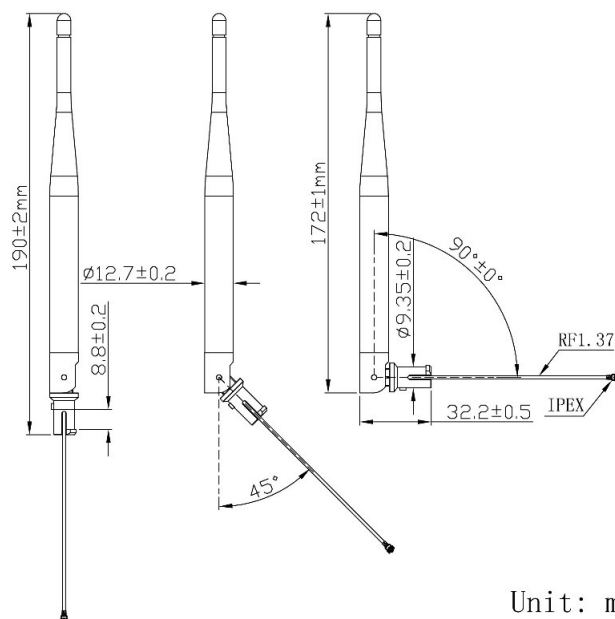
Model : WIFI-ANT410-1



1 Part Number

WIFI-ANT410-1

2 Dimension (Unit : mm)



Unit: mm

3 Electrical Characteristics

3.1 WiFi Antenna

Item	Specifications	
Antenna	Frequency Range	2400~2483.5MHz
	Band Width	83.5MHz
	Polarization	Linear
	Gain	5dBi
	V.S.W.R	< 2.0
	Impedance	50Ω
Mechanical	Cable	RG178/RF1.37 or others
	Connector	IPEX or others
	Mounting Method	Knuckle
Environmental	Operating Temperature	-40℃~+85℃
	Vibration	10 to 55Hz with 1.5mm amplitude 2hours
	Environmentally Friendly	ROHS Compliant

4 Radiation Pattern

