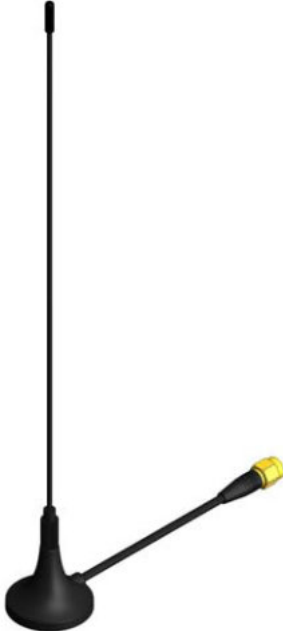
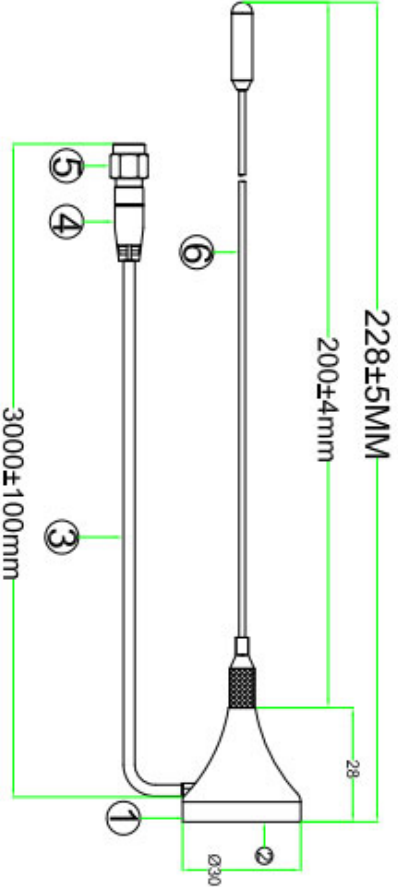


GSM Antenna AN823



DIMENSIONS



SPECIFICATIONS

Item		Specifications
Antenna	Frequency Range	824~960/1710~2170MHz
	Polarization	Linear
	Gain	2.0dBi (Zenith)
	V.S.W.R	<2.5
	Impedance	50 Ω
Mechanical	Cable	RG174 3M
	Connector	SMA MALE
	Mounting Method	Magnet
Environmental	Operating Temperature	-40°C~+85°C
	Vibration	10 to 55Hz with 1.5mm amplitude 2hours
	Environmentally Friendly	ROHS Compliant