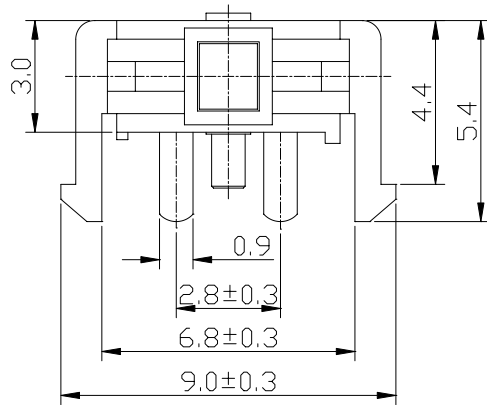
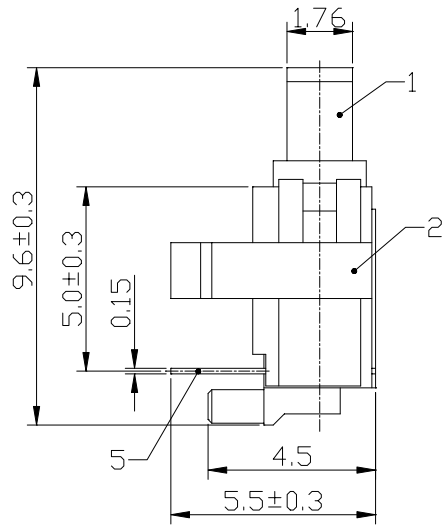
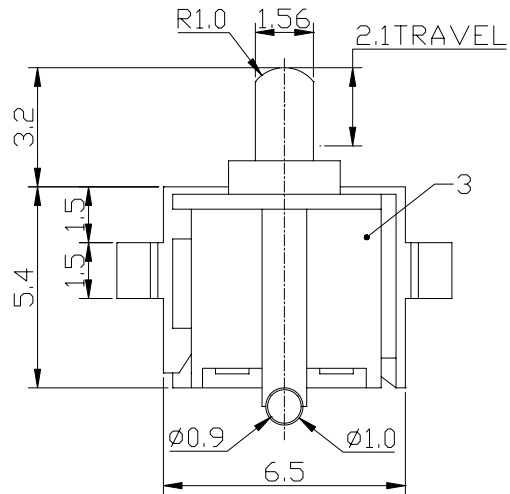
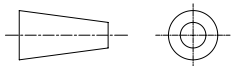




SCHEMATIC



TITLE : TACT SWITCH
 MODEL : TC-0050 (W009)



TOLERANCE
 ≤ 1.5mm ±0.1
 > 1.5mm ±0.2

ANGLE TOL
 ±2°

NO.	PART NAME	MATERIAL	QTY.	FINISHING
6	SPRING	STEEL WIRE	1	NATURE
5	TERMINAL	PBS STRIP	2	Ag PLATED
4	CONTACT	PBS STRIP	1	Ag CLAD
3	CASE	NYLON	1	BLACK
2	COVER	POM	1	BLACK
1	KNOB	NYLON	1	BLACK
NO.	PART NAME	MATERIAL	QTY.	FINISHING

UNIT : MM	DWN.	DATE
SCALE : 5 : 1	CHK'D	DATE
VERSION 01	APPD.	DATE