

LM3478/LM3478Q

High Efficiency Low-Side N-Channel Controller for Switching Regulator

General Description

The LM3478 is a versatile Low-Side N-Channel MOSFET controller for switching regulators. It is suitable for use in topologies requiring a low side MOSFET, such as boost, fly-back, SEPIC, etc. Moreover, the LM3478 can be operated at extremely high switching frequency in order to reduce the overall solution size. The switching frequency of the LM3478 can be adjusted to any value between 100kHz and 1MHz by using a single external resistor. Current mode control provides superior bandwidth and transient response, besides cycle-by-cycle current limiting. Output current can be programmed with a single external resistor.

The LM3478 has built in features such as thermal shutdown, short-circuit protection, over voltage protection, etc. Power saving shutdown mode reduces the total supply current to 5 μ A and allows power supply sequencing. Internal soft-start limits the inrush current at start-up.

Key Specifications

- Wide supply voltage range of 2.97V to 40V
- 100kHz to 1MHz Adjustable clock frequency
- $\pm 2.5\%$ (over temperature) internal reference
- 10 μ A shutdown current (over temperature)

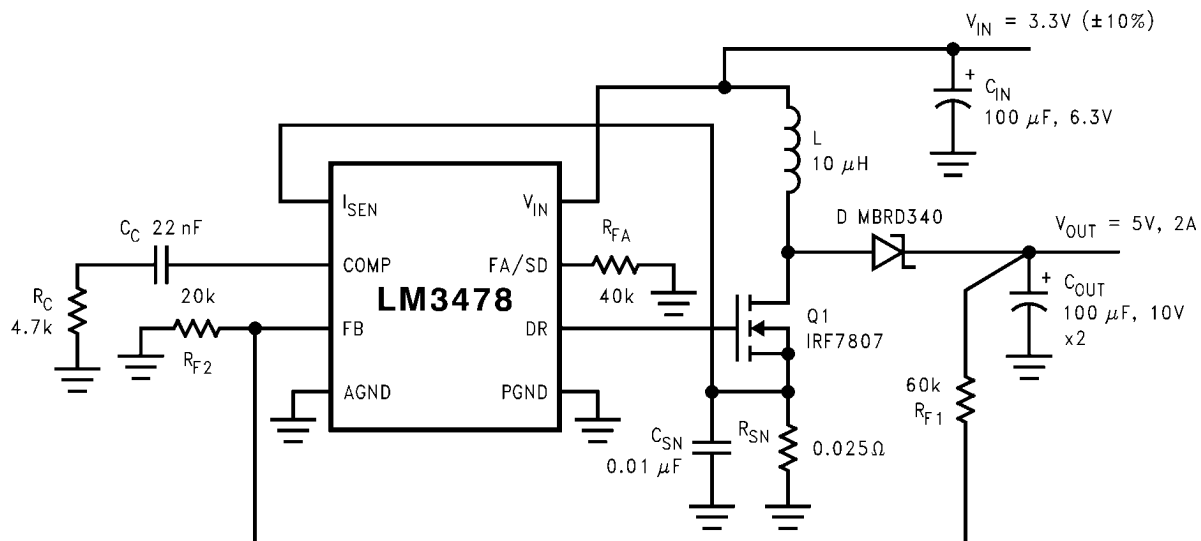
Features

- LM3478Q in MSOP-8 package is AEC-Q100 qualified and manufactured on an Automotive Grade Flow
- 8-lead Mini-SO8 (MSOP-8) and SO-8 packages
- Internal push-pull driver with 1A peak current capability
- Current limit and thermal shutdown
- Frequency compensation optimized with a capacitor and a resistor
- Internal softstart
- Current Mode Operation
- Undervoltage Lockout with hysteresis

Applications

- Distributed Power Systems
- Battery Chargers
- Offline Power Supplies
- Telecom Power Supplies
- Automotive Power Systems

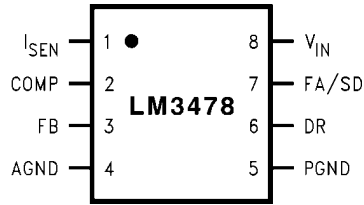
Typical Application Circuit



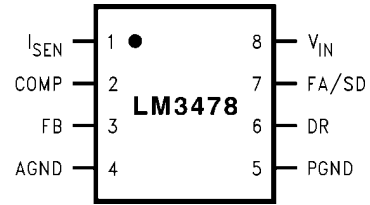
Typical High Efficiency Step-Up (Boost) Converter

10135501

Connection Diagram



10135502
8 Lead Mini SO8 Package (MSOP-8 Package)



10135590
8 Lead SO-8 Package (SO-8 Package)

Package Marking and Ordering Information

Order Number	Package Type	Package Marking	Supplied As	Feature
LM3478MM	MSOP-8	S14B	1000 units on Tape and Reel	
LM3478MMX			3500 units on Tape and Reel	
LM3478QMM	MSOP-8	SSUB	1000 units on Tape and Reel	AEC-Q100 (Grade 1) qualified. Automotive Grade Production Flow*
LM3478QMMX			3500 units on Tape and Reel	
LM3478MA	SO-8	LM3478MA	1000 units on Tape and Reel	
LM3478MAX			2500 units on Tape and Reel	

* Automotive Grade (Q) product incorporates enhanced manufacturing and support processes for the automotive market, including defect detection methodologies. Reliability qualification is compliant with the requirements and temperature grades defined in the AEC-Q100 standard. Automotive grade products are identified with the letter Q. For more information go to <http://www.national.com/automotive>.

Pin Descriptions

Pin Name	Pin Number	Description
I_{SEN}	1	Current sense input pin. Voltage generated across an external sense resistor is fed into this pin.
COMP	2	Compensation pin. A resistor, capacitor combination connected to this pin provides compensation for the control loop.
FB	3	Feedback pin. The output voltage should be adjusted using a resistor divider to provide 1.26V at this pin.
AGND	4	Analog ground pin.
PGND	5	Power ground pin.
DR	6	Drive pin. The gate of the external MOSFET should be connected to this pin.
FA/SD	7	Frequency adjust and Shutdown pin. A resistor connected to this pin sets the oscillator frequency. A high level on this pin for longer than 30 μ s will turn the device off. The device will then draw less than 10 μ A from the supply.
V_{IN}	8	Power Supply Input pin.

Absolute Maximum Ratings *(Note 1)*

If Military/Aerospace specified devices are required, please contact the National Semiconductor Sales Office/Distributors for availability and specifications.

Input Voltage	45V
FB Pin Voltage	$-0.4V < V_{FB} < 7V$
FA/SD Pin Voltage	$-0.4V < V_{FA/SD} < 7V$
Peak Driver Output Current (<10 μ s)	1.0A
Power Dissipation	Internally Limited
Storage Temperature Range	$-65^{\circ}C$ to $+150^{\circ}C$
Junction Temperature	$+150^{\circ}C$
ESD Susceptibility Human Body Model <i>(Note 2)</i>	2kV

Lead Temperature MM Package	215 $^{\circ}C$
Vapor Phase (60 sec.) Infrared (15 sec.)	260 $^{\circ}C$
DR Pin Voltage	$-0.4V \leq V_{DR} \leq 8V$
I _{SEN} Pin Voltage	500mV

Operating Ratings *(Note 1)*

Supply Voltage	$2.97V \leq V_{IN} \leq 40V$
Junction Temperature Range	$-40^{\circ}C \leq T_J \leq +125^{\circ}C$
Switching Frequency	$100kHz \leq F_{SW} \leq 1MHz$

Electrical Characteristics

Specifications in Standard type face are for $T_J = 25^{\circ}C$, and in **bold type face** apply over the full **Operating Temperature Range**. Unless otherwise specified, $V_{IN} = 12V$, $R_{FA} = 40k\Omega$

Symbol	Parameter	Conditions	Typical	Limit	Units
V_{FB}	Feedback Voltage	$V_{COMP} = 1.4V$, $2.97 \leq V_{IN} \leq 40V$	1.26	1.2416/ 1.228 1.2843/ 1.292	V V(min) V(max)
ΔV_{LINE}	Feedback Voltage Line Regulation	$2.97 \leq V_{IN} \leq 40V$	0.001		%/V
ΔV_{LOAD}	Output Voltage Load Regulation	I _{EAO} Source/Sink	± 0.5		%/A (max)
V_{UVLO}	Input Undervoltage Lock-out		2.85	2.97	V V(max)
$V_{UV(HYS)}$	Input Undervoltage Lock-out Hysteresis		170	130 210	mV mV (min) mV (max)
F_{nom}	Nominal Switching Frequency	$R_{FA} = 40k\Omega$	400	350 440	kHz kHz(min) kHz(max)
$R_{DS1(ON)}$	Driver Switch On Resistance (top)	I _{DR} = 0.2A, $V_{IN} = 5V$	16		Ω
$R_{DS2(ON)}$	Driver Switch On Resistance (bottom)	I _{DR} = 0.2A	4.5		Ω
$V_{DR(max)}$	Maximum Drive Voltage Swing <i>(Note 6)</i>	$V_{IN} < 7.2V$ $V_{IN} \geq 7.2V$	V_{IN} 7.2		V
D_{max}	Maximum Duty Cycle <i>(Note 7)</i>		100		%
$T_{min(ON)}$	Minimum On Time		325	210 600	nsec nsec(min) nsec(max)
I_{SUPPLY}	Supply Current (non-switching)	<i>(Note 9)</i>	2.7	3.3	mA mA (max)
I_Q	Quiescent Current in Shutdown Mode	$V_{FA/SD} = 5V$ <i>(Note 10)</i> , $V_{IN} = 5V$	5	10	μA μA (max)
V_{SENSE}	Current Sense Threshold Voltage	$V_{IN} = 5V$	156	135/ 125 180/ 190	mV mV (min) mV (max)
V_{SC}	Short-Circuit Current Limit Sense Voltage	$V_{IN} = 5V$	343	250 415	mV mV (min) mV (max)

Symbol	Parameter	Conditions	Typical	Limit	Units
V_{SL}	Internal Compensation Ramp Voltage	$V_{IN} = 5V$	92	52 132	mV mV(min) mV(max)
V_{SL} ratio	V_{SL}/V_{SENSE}		0.49	0.30 0.70	(min) (max)
V_{OVP}	Output Over-voltage Protection (with respect to feedback voltage) (<i>Note 8</i>)	$V_{COMP} = 1.4V$	50	32/ 25	mV mV(min)
		MM package		78/ 85	mV(max)
		MA package		78/100	mV(max)
$V_{OVP(HYS)}$	Output Over-Voltage Protection Hysteresis(<i>Note 8</i>)	$V_{COMP} = 1.4V$	60	20 110	mV mV(min) mV(max)
G_m	Error Amplifier Transconductance	$V_{COMP} = 1.4V$ $I_{EAO} = 100\mu A$ (Source/Sink)	800	600/ 365 1000/ 1265	μmho μmho (min) μmho (max)
A_{VOL}	Error Amplifier Voltage Gain	$V_{COMP} = 1.4V$ $I_{EAO} = 100\mu A$ (Source/Sink)	38	26 44	V/V V/V (min) V/V (max)
I_{EAO}	Error Amplifier Output Current (Source/ Sink)	Source, $V_{COMP} = 1.4V$, $V_{FB} = 0V$	110	80/ 50 140/ 180	μA μA (min) μA (max)
		Sink, $V_{COMP} = 1.4V$, $V_{FB} = 1.4V$	-140	-100/ -85 -180/ -185	μA μA (min) μA (max)
V_{EAO}	Error Amplifier Output Voltage Swing	Upper Limit $V_{FB} = 0V$ COMP Pin = Floating	2.2	1.8 2.4	V V(min) V(max)
		Lower Limit $V_{FB} = 1.4V$	0.56	0.2 1.0	V V(min) V(max)
T_{SS}	Internal Soft-Start Delay	$V_{FB} = 1.2V$, $V_{COMP} =$ Floating	4		msec
T_r	Drive Pin Rise Time	$C_{gs} = 3000pf$, $V_{DR} = 0$ to 3V	25		ns
T_f	Drive Pin Fall Time	$C_{gs} = 3000pf$, $V_{DR} = 0$ to 3V	25		ns
V_{SD}	Shutdown threshold (<i>Note 5</i>)	Output = High	1.27	1.4	V V (max)
		Output = Low	0.65	0.3	V V (min)
I_{SD}	Shutdown Pin Current	$V_{SD} = 5V$	-1		μA
		$V_{SD} = 0V$	+1		
I_{FB}	Feedback Pin Current		15		nA
T_{SD}	Thermal Shutdown		165		$^{\circ}C$
T_{sh}	Thermal Shutdown Hysteresis		10		$^{\circ}C$
θ_{JA}	Thermal Resistance	MM Package	200		$^{\circ}C/W$
		MA Package	151		

Note 1: Absolute Maximum Ratings are limits beyond which damage to the device may occur. Operating Ratings are conditions under which operation of the device is intended to be functional. For guaranteed specifications and test conditions, see the Electrical Characteristics.

Note 2: The human body model is a 100 pF capacitor discharged through a 1.5k Ω resistor into each pin.

Note 3: All limits are guaranteed at room temperature (standard type face) and at **temperature extremes (bold type face)**. All room temperature limits are 100% tested. All limits at **temperature extremes** are guaranteed via correlation using standard Statistical Quality Control (SQC) methods. All limits are used to calculate Average Outgoing Quality Level (AOQL).

Note 4: Typical numbers are at 25°C and represent the most likely norm.

Note 5: The FA/SD pin should be pulled to V_{IN} through a resistor to turn the regulator off. The voltage on the FA/SD pin must be above the maximum limit for Output = High to keep the regulator off and must be below the limit for Output = Low to keep the regulator on.

Note 6: The voltage on the drive pin, V_{DR} is equal to the input voltage when input voltage is less than 7.2V. V_{DR} is equal to 7.2V when the input voltage is greater than or equal to 7.2V.

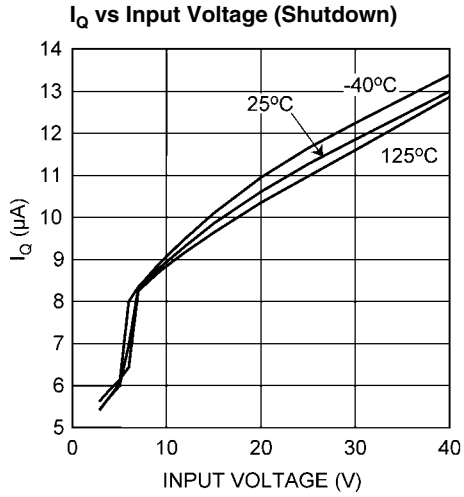
Note 7: The limits for the maximum duty cycle can not be specified since the part does not permit less than 100% maximum duty cycle operation.

Note 8: The over-voltage protection is specified with respect to the feedback voltage. This is because the over-voltage protection tracks the feedback voltage. The overvoltage protection threshold is given by adding the feedback voltage, V_{FB} to the over-voltage protection specification.

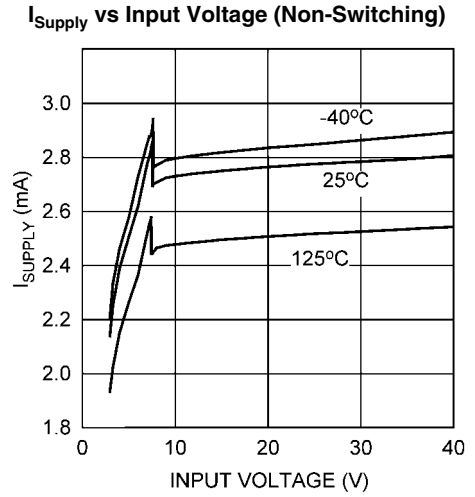
Note 9: For this test, the FA/SD pin is pulled to ground using a 40K resistor.

Note 10: For this test, the FA/SD pin is pulled to 5V using a 40K resistor.

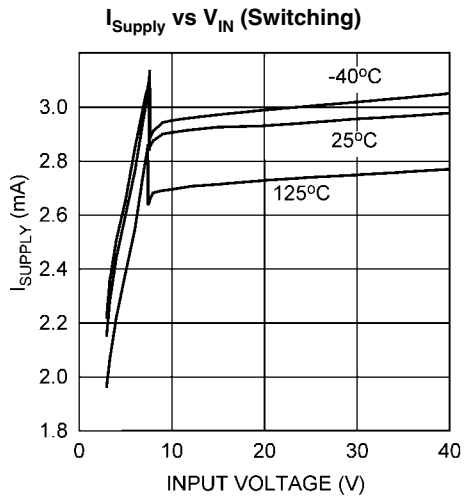
Typical Performance Characteristics Unless otherwise specified, $V_{IN} = 12V$, $T_J = 25^\circ C$.



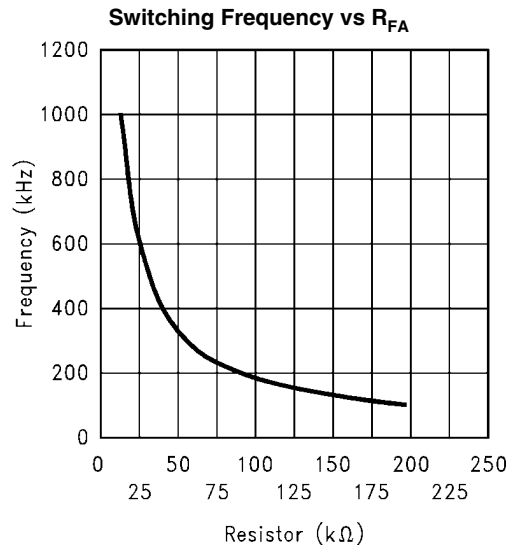
10135503



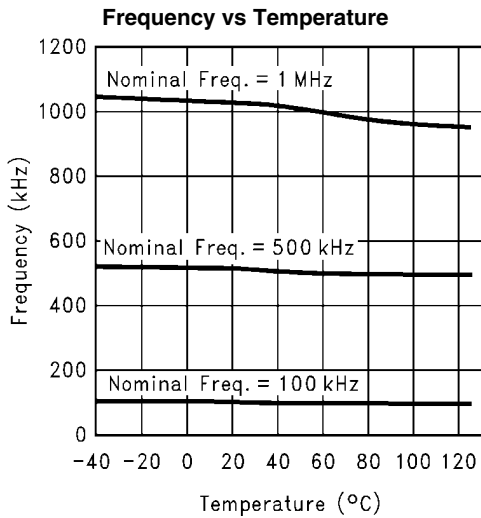
10135534



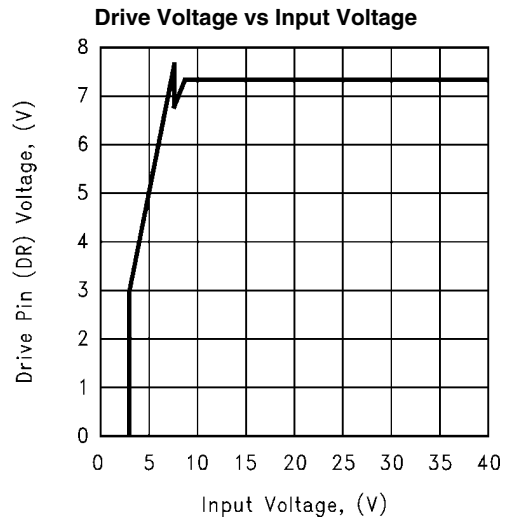
10135535



10135504

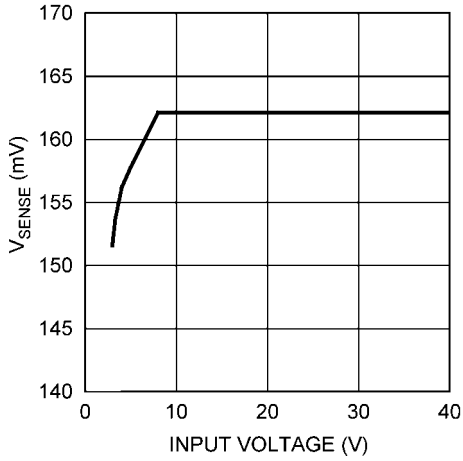


10135554



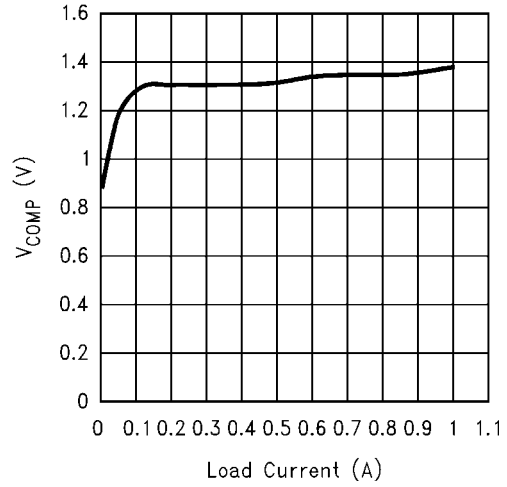
10135505

Current Sense Threshold vs Input Voltage



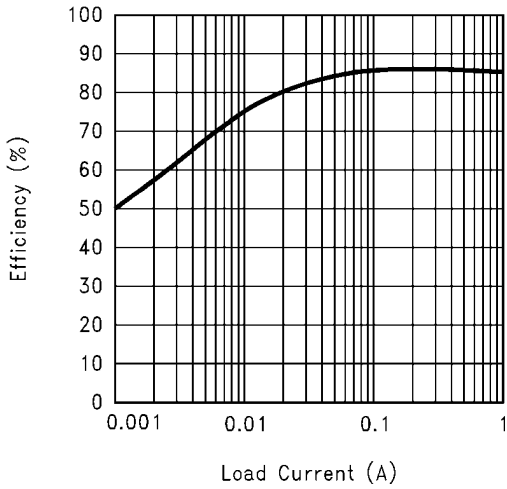
10135545

COMP Pin Voltage vs Load Current



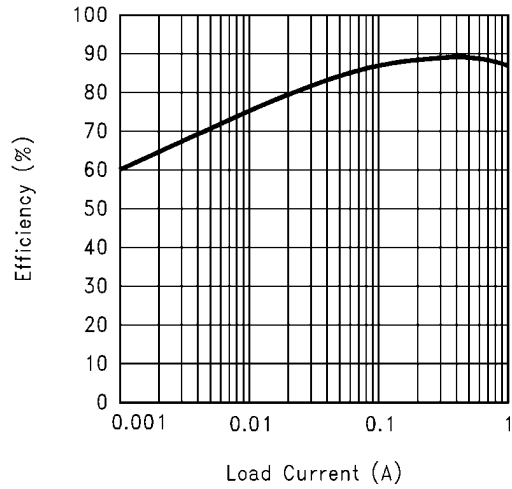
10135562

Efficiency vs Load Current (3.3V In and 12V Out)



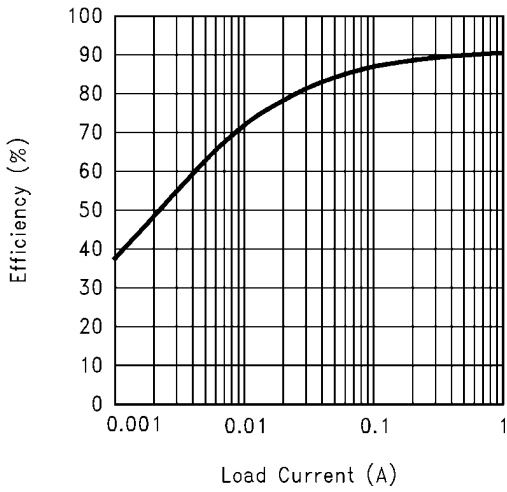
10135559

Efficiency vs Load Current (5V In and 12V Out)



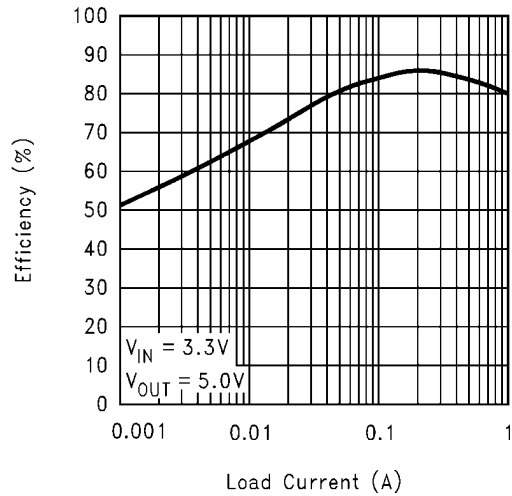
10135558

Efficiency vs Load Current (9V In and 12V Out)

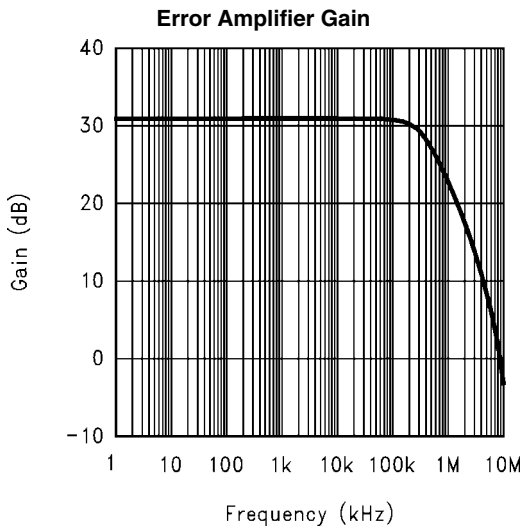


10135560

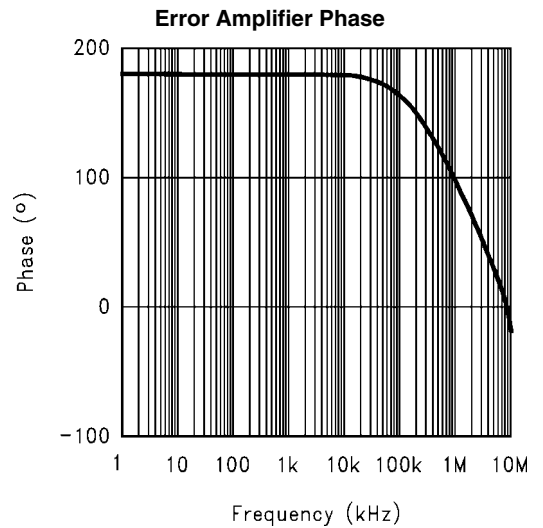
Efficiency vs Load Current (3.3V In and 5V Out)



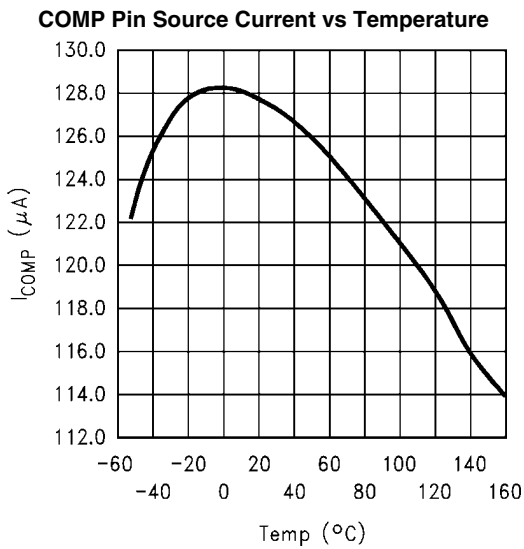
10135553



10135555

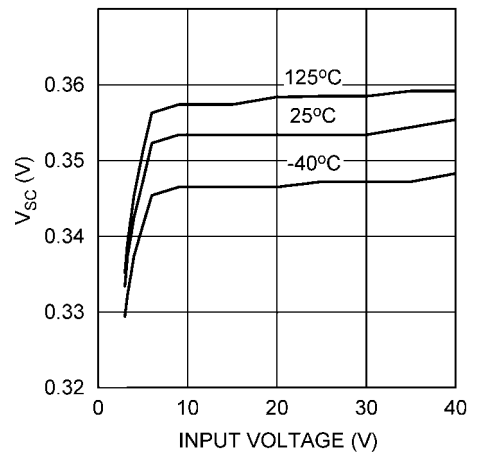


10135556



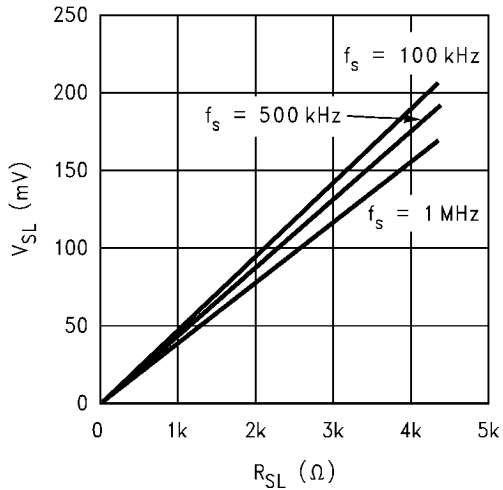
10135536

Short Circuit Sense Voltage vs Input Voltage



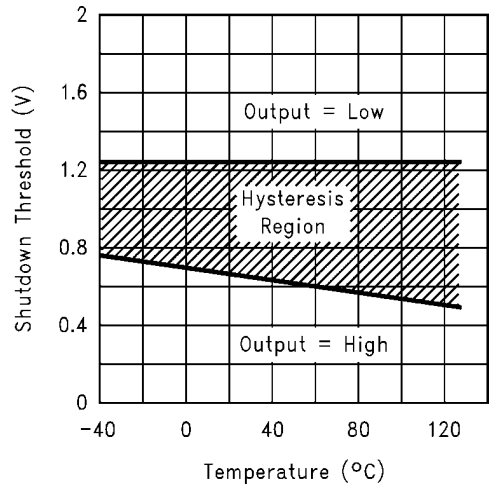
10135557

Compensation Ramp vs Compensation Resistor

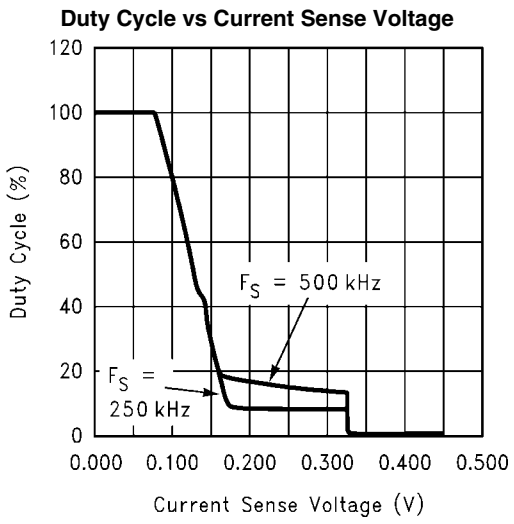


10135551

Shutdown Threshold Hysteresis vs Temperature

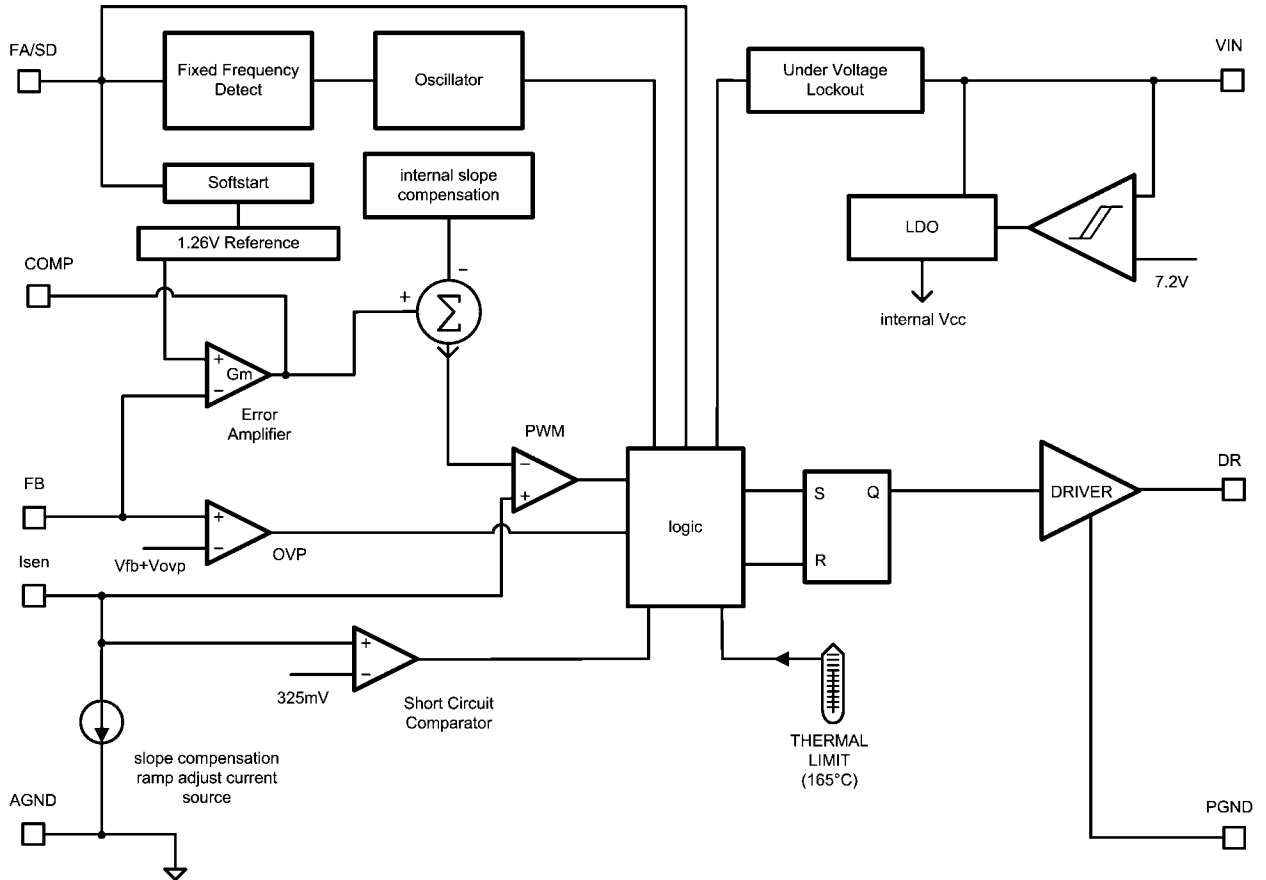


10135546



10135594

Functional Block Diagram



Functional Description

The LM3478 uses a fixed frequency, Pulse Width Modulated (PWM) current mode control architecture. The block diagram above shows the basic functionality. In a typical application circuit, the peak current through the external MOSFET is sensed through an external sense resistor. The voltage across this resistor is fed into the Isen pin. This voltage is fed into the positive input of the PWM comparator. The output voltage is also sensed through an external feedback resistor divider network and fed into the error amplifier negative input (feedback pin, FB). The output of the error amplifier (COMP pin) is added to the slope compensation ramp and fed into the negative input of the PWM comparator. At the start of any switching cycle, the oscillator sets the RS latch using the switch logic block. This forces a high signal on the DR pin (gate of the external MOSFET) and the external MOSFET turns on. When the voltage on the positive input of the PWM comparator exceeds the negative input, the RS latch is reset and the external MOSFET turns off.

The voltage sensed across the sense resistor generally contains spurious noise spikes, as shown in Figure 2. These spikes can force the PWM comparator to reset the RS latch prematurely. To prevent these spikes from resetting the latch, a blank-out circuit inside the IC prevents the PWM comparator from resetting the latch for a short duration after the latch is set. This duration is about 325ns and is called the blanking interval and is specified as minimum on-time in the Electrical Characteristics section. Under extremely light-load or no-load conditions, the energy delivered to the output capacitor when

the external MOSFET is on during the blanking interval is more than what is delivered to the load. An over-voltage comparator inside the LM3478 prevents the output voltage from rising under these conditions. The over-voltage comparator senses the feedback (FB pin) voltage and resets the RS latch. The latch remains in reset state until the output decays to the nominal value.

OVER VOLTAGE PROTECTION

The LM3478 has over voltage protection (OVP) for the output voltage. OVP is sensed at the feedback pin (pin 3). If at any time the voltage at the feedback pin rises to $V_{FB} + V_{OVP}$, OVP is triggered. See ELECTRICAL CHARACTERISTICS section for limits on V_{FB} and V_{OVP} .

OVP will cause the drive pin to go low, forcing the power MOSFET off. With the MOSFET off, the output voltage will drop. The LM3478 will begin switching again when the feedback voltage reaches $V_{FB} + (V_{OVP} - V_{OVP(HYS)})$. See ELECTRICAL CHARACTERISTICS for limits on $V_{OVP(HYS)}$.

OVP can be triggered if the unregulated input voltage crosses 7.2V, the output voltage will react as shown in Figure 1. The internal bias of the LM3478 comes from either the internal LDO as shown in the block diagram or the voltage at the Vin pin is used directly. At Vin voltages lower than 7.2V the internal IC bias is the Vin voltage and at voltages above 7.2V the internal LDO of the LM3478 provides the bias. At the switchover threshold at 7.2V a sudden small change in bias voltage is seen by all the internal blocks of the LM3478. The control voltage shifts because of the bias change, the PWM comparator tries to keep regulation. To the PWM comparator,

10135506

the scenario is identical to a step change in the load current, so the response at the output voltage is the same as would be observed in a step load change. Hence, the output voltage overshoot here can also trigger OVP. The LM3478 will regulate in hysteretic mode for several cycles, or may not recover and simply stay in hysteretic mode until the load current drops or V_{in} is not crossing the 7.2V threshold anymore. Note that the output is still regulated in hysteretic mode.

Depending on the requirements of the application there is some influence one has over this effect. The threshold of 7.2V can be shifted to higher voltages by adding a resistor in series with V_{in} . In case V_{in} is right at the threshold of 7.2V it can happen that the threshold is crossed over and over due to some slight ripple on V_{in} . To minimize the effect on the output voltage one can filter the V_{in} pin with an RC filter.

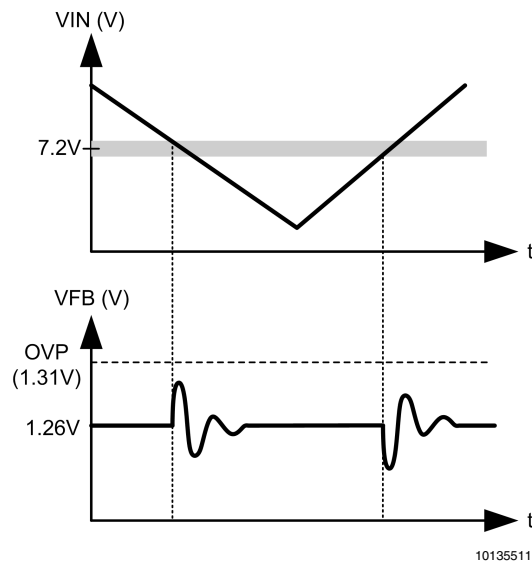


FIGURE 1. The Feedback Voltage Experiences an Oscillation if the Input Voltage crosses the 7.2V Internal Bias Threshold

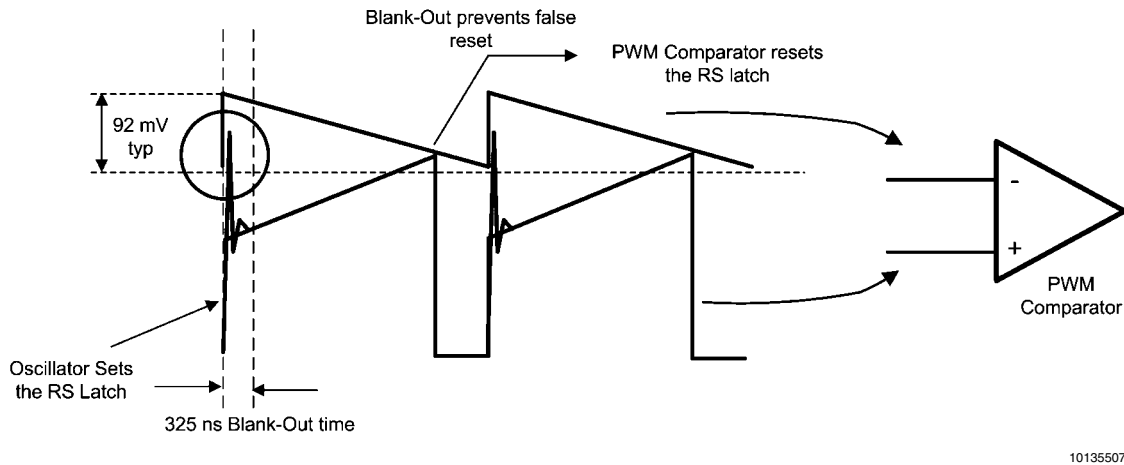


FIGURE 2. Basic Operation of the PWM Comparator

SLOPE COMPENSATION RAMP

The LM3478 uses a current mode control scheme. The main advantages of current mode control are inherent cycle-by-cycle current limit for the switch and simpler control loop characteristics. It is also easy to parallel power stages using current mode control since current sharing is automatic. However, current mode control has an inherent instability for duty cycles greater than 50%, as shown in Figure 3.

A small increase in the load current causes the switch current to increase by ΔI_0 . The effect of this load change is ΔI_1 .

The two solid waveforms shown are the waveforms compared at the internal pulse width modulator, used to generate the MOSFET drive signal. The top waveform with the slope S_e is the internally generated control waveform V_C . The bottom waveform with slopes S_n and S_f is the sensed inductor current waveform V_{SEN} .

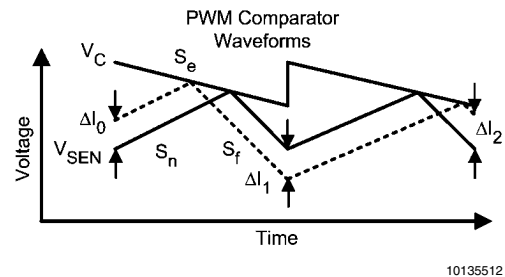


FIGURE 3. Sub-Harmonic Oscillation for $D > 0.5$ and Compensation Ramp to Avoid Sub-Harmonic Oscillation

Sub-harmonic Oscillation can be easily understood as a geometric problem. If the control signal does not have slope, the slope representing the inductor current ramps up until the control signal is reached and then slopes down again. If the duty cycle is above 50%, any perturbation will not converge but diverge from cycle to cycle and causes sub-harmonic oscillation.

It is apparent that the difference in the inductor current from one cycle to the next is a function of S_n , S_f and S_e as follows:

$$\Delta I_n = \frac{S_f - S_e}{S_n + S_e} \Delta I_{n-1}$$

Hence, if the quantity $(S_f - S_e)/(S_n + S_e)$ is greater than 1, the inductor current diverges and subharmonic oscillation results. This counts for all current mode topologies. The LM3478 has some internal slope compensation V_{SL} which is enough for many applications above 50% duty cycle to avoid subharmonic oscillation.

For boost applications, the slopes S_e , S_f and S_n can be calculated with the formulas below:

$$S_e = V_{SL} \times f_s$$

$$S_f = R_{sen} \times (V_{OUT} - V_{IN})/L$$

$$S_n = V_{IN} \times R_{sen}/L$$

When S_e increases then the factor which determines if sub-harmonic oscillation will occur decreases. When the duty cycle is greater than 50%, and the inductance becomes less, the factor increases.

For more flexibility slope compensation can be increased by adding one external resistor, R_{SL} , in the I_{SEN} path. Figure 4 shows the setup. The externally generated slope compensation is then added to the internal slope compensation of the LM3478. When using external slope compensation, the formula for S_e becomes:

$$S_e = (V_{SL} + (K \times R_{SL})) \times f_s$$

A typical value for factor K is 40 μA .

The factor changes with switching frequency. Figure 5 is used to determine the factor K for individual applications and the formula below gives the factor K.

$$K = \Delta V_{SL} / R_{SL}$$

It is a good design practice to only add as much slope compensation as needed to avoid subharmonic oscillation. Additional slope compensation minimizes the influence of the sensed current in the control loop. With very large slope compensation the control loop characteristics are similar to a voltage mode regulator which compares the error voltage to a saw tooth waveform rather than the inductor current.

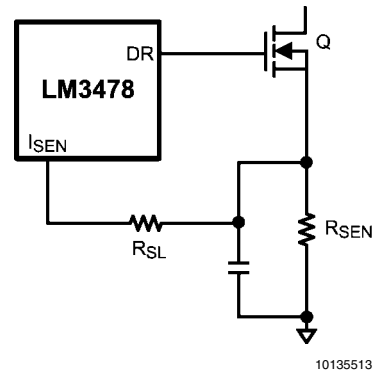


FIGURE 4. Adding External Slope Compensation

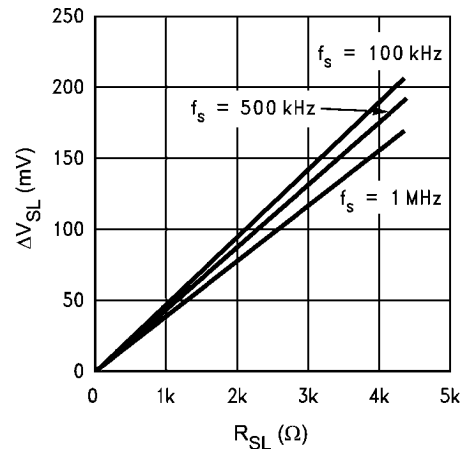


FIGURE 5. External Slope Compensation ΔV_{SL} vs R_{SL}

FREQUENCY ADJUST/SHUTDOWN

The switching frequency of the LM3478 can be adjusted between 100kHz and 1MHz using a single external resistor. This resistor must be connected between FA/SD pin and ground, as shown in Figure 6. To determine the value of the resistor required for a desired switching frequency refer to the typical performance characteristics or use the following equation:

$$R_{FA} = 4.503 \times 10^{11} \times f_s^{-1.26}$$

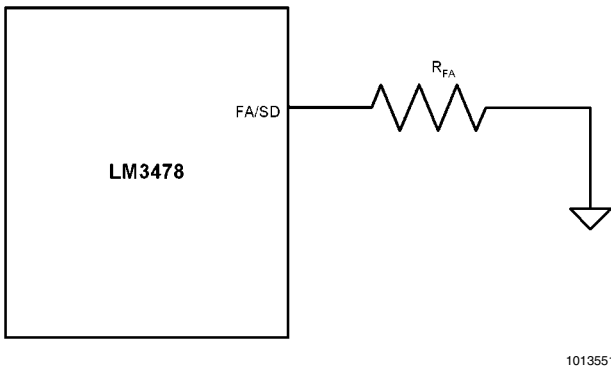


FIGURE 6. Frequency Adjust

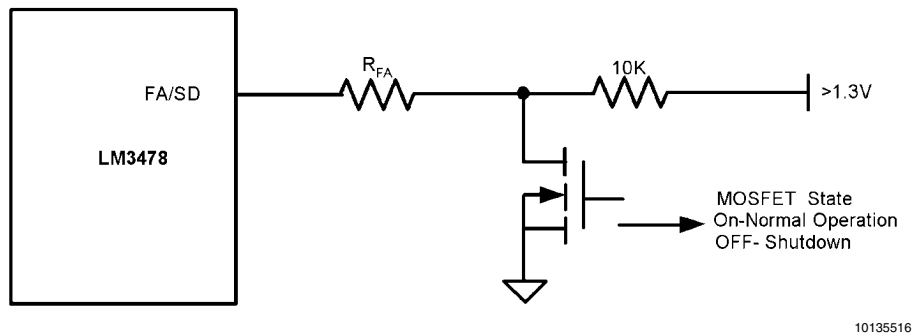


FIGURE 7. Shutdown Operation in Frequency Adjust Mode

SHORT-CIRCUIT PROTECTION

When the voltage across the sense resistor measured on the I_{sen} pin exceeds 343 mV, short circuit current limit protection gets activated. A comparator inside the LM3478 reduces the switching frequency by a factor of 5 and maintains this condition until the short is removed. In normal operation the sensed current will trigger the power MOSFET to turn off. During the blanking interval the PWM comparator will not react to an over current so that this additional 343 mV current limit threshold is implemented to protect the device in a short circuit or severe overload condition.

Typical Applications

The LM3478 may be operated in either the continuous (CCM) or the discontinuous current conduction mode (DCM). The following applications are designed for the CCM operation. This mode of operation has higher efficiency and usually lower EMI characteristics than the DCM.

BOOST CONVERTER

The boost converter converts a low input voltage into a higher output voltage. The basic configuration for a boost converter is shown in Figure 8. In the CCM (when the inductor current never reaches zero at steady state), the boost regulator operates in two states. In the first state of operation, MOSFET Q is turned on and energy is stored in the inductor. During this state, diode D is reverse biased and load current is supplied by the output capacitor, C_{out}.

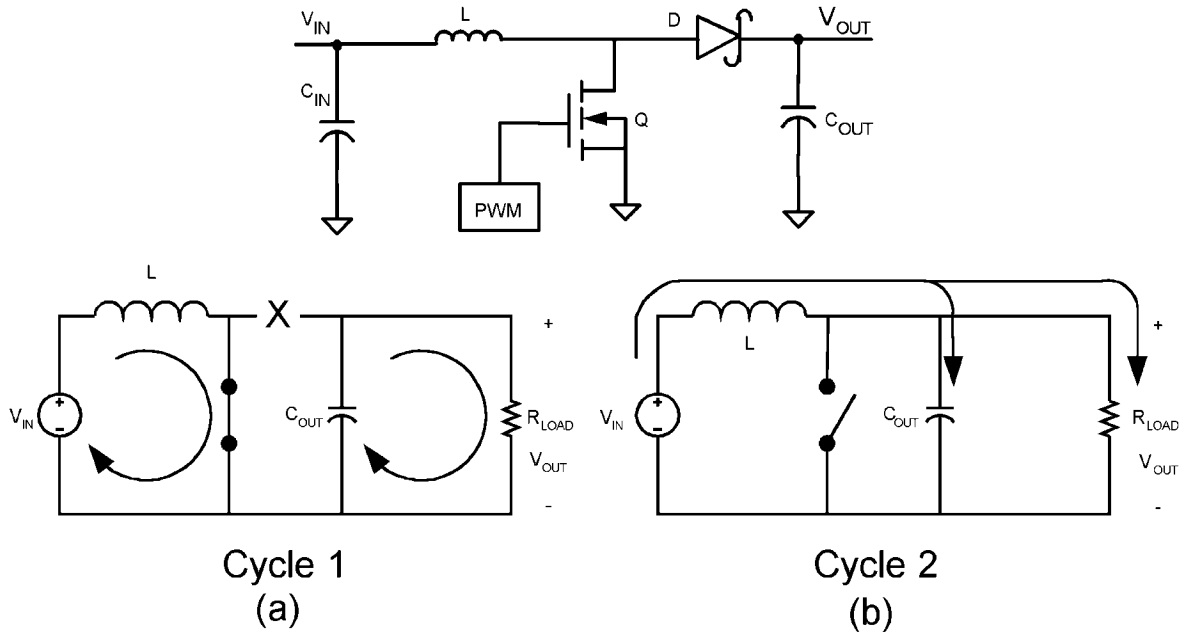
In the second state, MOSFET Q is off and the diode is forward biased. The energy stored in the inductor is transferred to the load and the output capacitor. The ratio of the switch on time to the total period is the duty cycle D:

$$D = 1 - (V_{in} / V_{out})$$

Including the voltage drop across the MOSFET and the diode the definition for the duty cycle is:

$$D = 1 - ((V_{in} - V_q) / (V_{out} + V_d))$$

V_d is the forward voltage drop of the diode and V_q is the voltage drop across the MOSFET when it is on.



10135522

FIGURE 8. Simplified Boost Converter
A. First Cycle Operation B. Second Cycle of Operation

POWER INDUCTOR SELECTION

The inductor is one of the two energy storage elements in a boost converter. Figure 9 shows how the inductor current varies during a switching cycle. The current through an inductor is quantified by the following relationship of L, I_L and V_L :

$$V_L(t) = L \frac{di_L(t)}{dt}$$

The important quantities in determining a proper inductance value are I_L (the average inductor current) and ΔI_L (the inductor current ripple). If ΔI_L is larger than I_L , the inductor current will drop to zero for a portion of the cycle and the converter will operate in the DCM. All the analysis in this datasheet assumes operation in the CCM. To operate in the CCM, the following condition must be met:

$$L > \frac{D(1-D)V_{IN}}{2I_{OUT}f_s}$$

Choose the minimum I_{out} to determine the minimum inductance value. A common choice is to set ΔI_L to 30% of I_L . Choosing an appropriate core size for the inductor involves calculating the average and peak currents expected through the inductor. In a boost converter the peak inductor current is:

$$I_{LPEAK} = \text{Average } I_{L(max)} + \Delta I_{L(max)}$$

$$\text{Average } I_{L(max)} = I_{out} / (1-D)$$

$$\Delta I_{L(max)} = D \times V_{in} / (2 \times f_s \times L)$$

An inductor size with ratings higher than these values has to be selected. If the inductor is not properly rated, saturation will occur and may cause the circuit to malfunction.

The LM3478 can be set to switch at very high frequencies. When the switching frequency is high, the converter can be operated with very small inductor values. The LM3478 senses the peak current through the switch which is the same as the peak inductor current as calculated above.

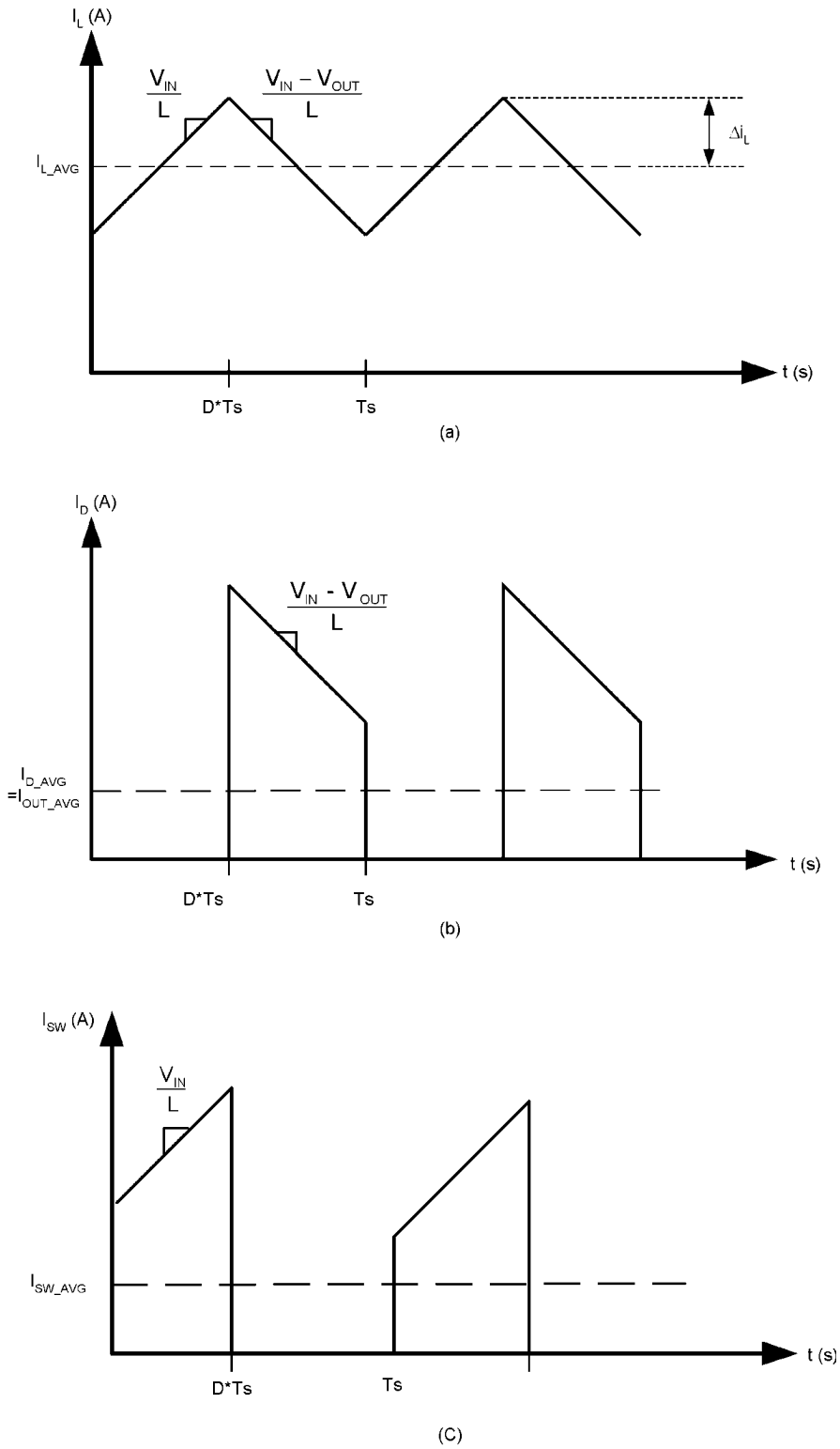


FIGURE 9. Inductor Current and Diode Current

10135524

PROGRAMMING THE OUTPUT VOLTAGE

The output voltage can be programmed using a resistor divider between the output and the FB pin. The resistors are selected such that the voltage at the FB pin is 1.26V. Pick R_{F1} (the resistor between the output voltage and the feedback pin) and R_{F2} (the resistor between the feedback pin and ground) can be selected using the following equation,

$$R_{F2} = (1.26V \times R_{F1}) / (V_{out} - 1.26V)$$

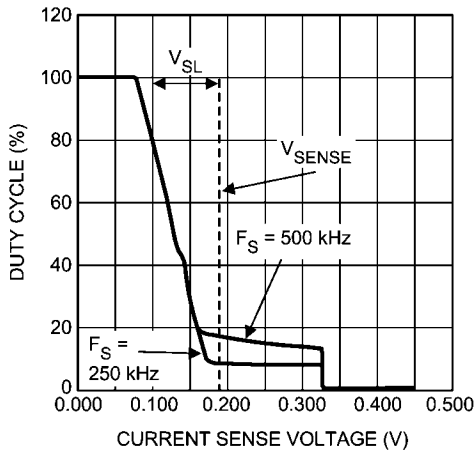
A 100pF capacitor may be connected between the feedback and ground pins to reduce noise.

SETTING THE CURRENT LIMIT

The maximum amount of current that can be delivered to the load is set by the sense resistor, R_{SEN} . Current limit occurs when the voltage that is generated across the sense resistor equals the current sense threshold voltage, V_{SENSE} . When this threshold is reached, the switch will be turned off until the next cycle. Limits for V_{SENSE} are specified in the electrical characteristics section. V_{SENSE} represents the maximum value of the internal control signal V_{CS} as shown in *Figure 10*. This control signal, however, is not a constant value and changes over the course of a period as a result of the internal compensation ramp (V_{SL}). Therefore the current limit threshold will also change. The actual current limit threshold is a function of the sense voltage (V_{SENSE}) and the internal compensation ramp:

$$R_{SEN} \times ISW_{LIMIT} = V_{CS_{MAX}} = V_{SENSE} - (D \times V_{SL})$$

Where ISW_{LIMIT} is the peak switch current limit, defined by the equation below.



10135552

FIGURE 10. Current Sense Voltage vs Duty Cycle

Figure 10 shows how V_{CS} (and current limit threshold voltage) change with duty cycle. The curve is equivalent to the internal compensation ramp slope (S_e) and is bounded at low duty cycle by V_{SENSE} , shown as a dotted line. As duty cycle increases, the control voltage is reduced as V_{SL} ramps up. The graph also shows the short circuit current limit threshold of 343 mV (typical) during the 325 ns (typical) blanking time. For higher frequencies this fixed blanking time obviously occupies more duty cycle, percentage wise. Since current limit threshold varies with duty cycle, the following equation should be used to select R_{SEN} and set the desired current limit threshold:

$$R_{SEN} = \frac{V_{SENSE} - (D \times V_{SL})}{ISW_{LIMIT}}$$

The numerator of the above equation is V_{CS} , and ISW_{LIMIT} is calculated as:

$$ISW_{LIMIT} = \left[\frac{I_{OUT}}{(1-D)} + \frac{(D \times V_{IN})}{(2 \times f_S \times L)} \right]$$

To avoid false triggering, the current limit value should have some margin above the maximum operating value, typically 120%. Values for both V_{SENSE} and V_{SL} are specified in the characteristic table. However, calculating with the limits of these two specs could result in an unrealistically wide current limit or R_{SEN} range. Therefore, the following equation is recommended, using the V_{SL} ratio value given in the EC table:

$$R_{SEN} = \frac{V_{SENSE} - (D \times V_{SENSE} \times V_{SLratio})}{ISW_{LIMIT}}$$

R_{SEN} is part of the current mode control loop and has some influence on control loop stability. Therefore, once the current limit threshold is set, loop stability must be verified. As described in the slope compensation section, the following must hold true for a current mode converter to be stable:

$$S_f - S_e < S_n + S_e$$

To verify that this equation holds true, use the following equation:

$$R_{SEN} < \frac{2 \times V_{SL} \times f_S \times L}{V_o - (2 \times V_{IN})}$$

If the selected R_{SEN} is greater than this value, additional slope compensation must be added to ensure stability, as described in the section below.

CURRENT LIMIT WITH EXTERNAL SLOPE COMPENSATION

R_{SL} is used to add additional slope compensation when required. It is not necessary in most designs and R_{SL} should be no larger than necessary. Select R_{SL} according to the following equation:

$$R_{SL} > \frac{\frac{R_{SEN} \times (V_o - 2V_{IN})}{2 \times f_S \times L} - V_{SL}}{40 \mu A}$$

Where R_{SEN} is the selected value based on current limit. With R_{SL} installed, the control signal includes additional external slope to stabilize the loop, which will also have an effect on the current limit threshold. Therefore, the current limit threshold must be re-verified, as illustrated in the equations below :

$$V_{CS} = V_{SENSE} - (D \times (V_{SL} + \Delta V_{SL}))$$

Where ΔV_{SL} is the additional slope compensation generated as discussed in the slope compensation ramp section and calculated as:

$$\Delta V_{SL} = 40 \mu A \times R_{SL}$$

This changes the equation for current limit (or R_{SEN}) to:

$$I_{SW_LIMIT} = \frac{V_{SENSE} - (D \times (V_{SL} + \Delta V_{SL}))}{R_{SEN}}$$

The R_{SEN} and R_{SL} values may have to be calculated iteratively in order to achieve both the desired current limit and stable operation. In some designs R_{SL} can also help to filter noise on the ISEN pin.

If the inductor is selected such that ripple current is the recommended 30% value, and the current limit threshold is 120% of the maximum peak, a simpler method can be used to determine R_{SEN} . The equation below will provide optimum stability without RSL, provided that the above 2 conditions are met:

$$R_{SEN} = \frac{V_{SENSE}}{I_{SW_LIMIT} + \left(\frac{V_o - V_i}{L \times f_s} \right) \times D}$$

POWER DIODE SELECTION

Observation of the boost converter circuit shows that the average current through the diode is the average load current, and the peak current through the diode is the peak current through the inductor. The diode should be rated to handle more than its peak current. The peak diode current can be calculated using the formula:

$$I_{D(Peak)} = I_{OUT} / (1-D) + \Delta I_L$$

Thermally the diode must be able to handle the maximum average current delivered to the output. The peak reverse voltage for boost converters is equal to the regulated output voltage. The diode must be capable of handling this voltage. To improve efficiency, a low forward drop schottky diode is recommended.

POWER MOSFET SELECTION

The drive pin of the LM3478 must be connected to the gate of an external MOSFET. The drive pin (DR) voltage depends on the input voltage (see typical performance characteristics). In most applications, a logic level MOSFET can be used. For very low input voltages, a sub logic level MOSFET should be used. The selected MOSFET has a great influence on the system efficiency. The critical parameters for selecting a MOSFET are:

1. Minimum threshold voltage, $V_{TH(MIN)}$
2. On-resistance, $R_{DS(ON)}$
3. Total gate charge, Q_g
4. Reverse transfer capacitance, C_{RSS}
5. Maximum drain to source voltage, $V_{DS(MAX)}$

The off-state voltage of the MOSFET is approximately equal to the output voltage. $V_{ds(max)}$ must be greater than the output voltage. The power losses in the MOSFET can be categorized into conduction losses and switching losses. $R_{ds(on)}$ is needed to estimate the conduction losses, P_{cond} :

$$P_{cond} = I^2 \times R_{DS(ON)} \times D$$

The temperature effect on the $R_{DS(ON)}$ usually is quite significant. Assume 30% increase at hot.

For the current I in the formula above the average inductor current may be used.

Especially at high switching frequencies the switching losses may be the largest portion of the total losses.

The switching losses are very difficult to calculate due to changing parasitics of a given MOSFET in operation. Often the individual MOSFETS datasheet does not give enough information to yield a useful result. The following formulas give a rough idea how the switching losses are calculated:

$$P_{SW} = \frac{I_{Lmax} \times V_{out}}{2} \times f_{sw} \times (t_{LH} + t_{HL})$$

$$t_{LH} = \left(Q_{gd} + \frac{Q_{gs}}{2} \right) \times \frac{R_{drOn}}{V_{dr} - V_{gs_{th}}}$$

INPUT CAPACITOR SELECTION

Due to the presence of an inductor at the input of a boost converter, the input current waveform is continuous and triangular as shown in figure 9. The inductor ensures that the input capacitor sees fairly low ripple currents. However, as the input capacitor gets smaller, the input ripple goes up. The rms current in the input capacitor is given by:

$$I_{CIN(RMS)} = \Delta i_L / \sqrt{3} = \frac{1}{2\sqrt{3}} \left(\frac{V_{OUT} - V_{IN}}{V_{OUT} L f_s} \right) \times V_{in}$$

The input capacitor should be capable of handling the rms current. Although the input capacitor is not as critical in a boost application, low values can cause impedance interactions. Therefore a good quality capacitor should be chosen in the range of 100 μ F to 200 μ F. If a value lower than 100 μ F is used, then problems with impedance interactions or switching noise can affect the LM3478. To improve performance, especially with V_{in} below 8 volts, it is recommended to use a 20 Ohm resistor at the input to provide an RC filter. The resistor is placed in series with the VIN pin with only a bypass capacitor attached to the VIN pin directly (see figure 11). A 0.1 μ F or 1 μ F ceramic capacitor is necessary in this configuration. The bulk input capacitor and inductor will connect on the other side of the resistor at the input power supply.

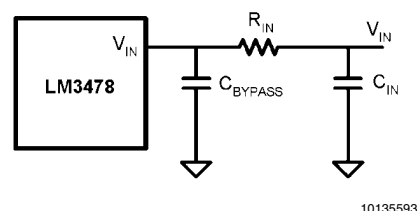


FIGURE 11. Reducing IC Input Noise

OUTPUT CAPACITOR SELECTION

The output capacitor in a boost converter provides all the output current when the inductor is charging. As a result it sees very large ripple currents. The output capacitor should be capable of handling the maximum rms current. The rms current in the output capacitor is:

$$I_{\text{COUT(RMS)}} = \sqrt{(1-D) \left[I_{\text{OUT}}^2 \frac{D}{(1-D)^2} + \frac{\Delta I_L^2}{3} \right]}$$

Where

$$\Delta I_L = \frac{DV_{\text{IN}}}{2Lf_s}$$

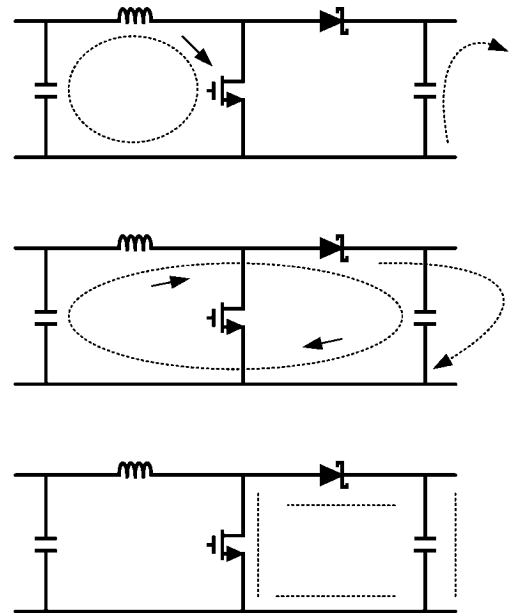
The ESR and ESL of the capacitor directly control the output ripple. Use capacitors with low ESR and ESL at the output for high efficiency and low ripple voltage. Surface mount tantalums, surface mount polymer electrolytic, polymer tantalum, or multi-layer ceramic capacitors are recommended at the output.

For applications that require very low output voltage ripple, a second stage LC filter often is a good solution. Most of the time it is lower cost to use a small second inductor in the power path and an additional final output capacitor than to reduce the output voltage ripple by purely increasing the output capacitor without an additional LC filter.

LAYOUT GUIDELINES

Good board layout is critical for switching controllers. First the ground plane area must be sufficient for thermal dissipation purposes and second, appropriate guidelines must be followed to reduce the effects of switching noise. Switching converters are very fast switching devices. In such devices, the rapid increase of input current combined with the parasitic trace inductance generates unwanted Ldi/dt noise spikes. The magnitude of this noise tends to increase as the output current increases. This parasitic spike noise may turn into electromagnetic interference (EMI), and can also cause problems in device performance. Therefore, care must be taken in layout to minimize the effect of this switching noise. The current sensing circuit in current mode devices can be easily affected by switching noise. This noise can cause duty cycle jittering which leads to increased spectral noise. Although the LM3478 has 325ns blanking time at the beginning of every cycle to ignore this noise, some noise may remain after the blanking time.

The most important layout rule is to keep the AC current loops as small as possible. Figure 12 shows the current flow of a boost converter. The top schematic shows a dotted line which represents the current flow during on-state and the middle schematic shows the current flow during off-state. The bottom schematic shows the currents we refer to as AC currents. They are the most critical ones since current is changing in very short time periods. The dotted lined traces of the bottom schematic are the ones to make as short as possible.



10135520

FIGURE 12. Current Flow In A Boost Application

The PGND and AGND pins have to be connected to the same ground very close to the IC. To avoid ground loop currents, attach all the grounds of the system only at one point.

A ceramic input capacitor should be connected as close as possible to the V_{IN} pin and grounded close to the GND pin.

For a layout example please see Application Note 1204. For more information about layout in switch mode power supplies please refer to Application Note 1229.

COMPENSATION

For detailed explanation on how to select the right compensation components to attach to the compensation pin for a boost topology please see Application Note 1286.

Designing SEPIC Using the LM3478

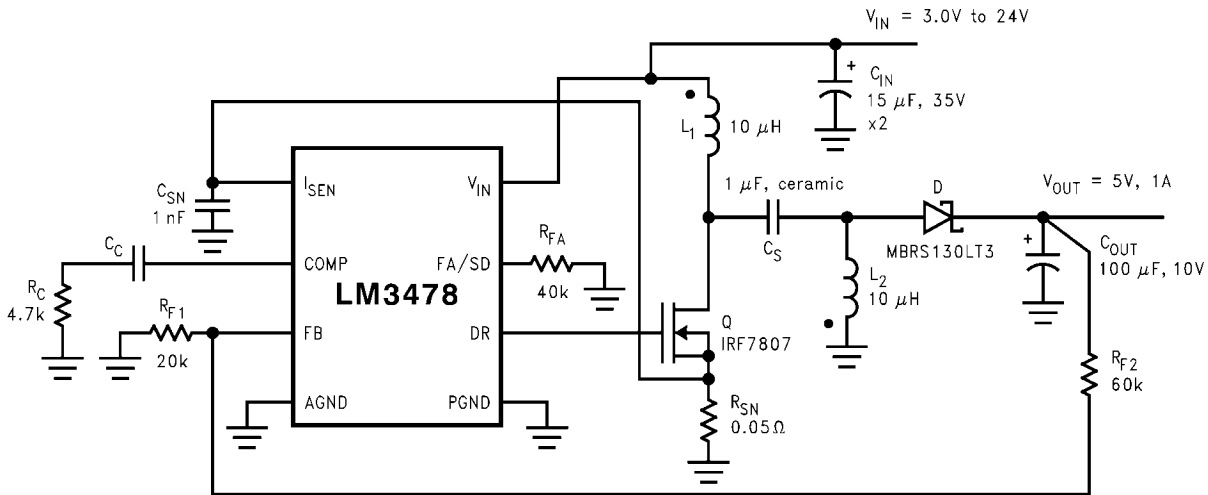
Since the LM3478 controls a low-side N-Channel MOSFET, it can also be used in SEPIC (Single Ended Primary Inductance Converter) applications. An example of a SEPIC using the LM3478 is shown in Figure 13. Note that the output voltage can be higher or lower than the input voltage. The SEPIC uses two inductors to step-up or step-down the input voltage. The inductors L1 and L2 can be two discrete inductors or two windings of a coupled inductor since equal voltages are applied across the inductor throughout the switching cycle. Using two discrete inductors allows use of catalog magnetics, as opposed to a custom inductor. The input ripple can be reduced along with size by using the coupled windings for L1 and L2.

Due to the presence of the inductor L1 at the input, the SEPIC inherits all the benefits of a boost converter. One main advantage of a SEPIC over a boost converter is the inherent input to output isolation. The capacitor CS isolates the input from the output and provides protection against a shorted or malfunctioning load. Hence, the SEPIC is useful for replacing boost circuits when true shutdown is required. This means that the output voltage falls to 0V when the switch is turned off. In a boost converter, the output can only fall to the input voltage minus a diode drop.

The duty cycle of a SEPIC is given by:

$$D = \frac{V_{OUT} + V_{DIODE}}{V_{OUT} + V_{IN} - V_Q + V_{DIODE}}$$

In the above equation, V_Q is the on-state voltage of the MOSFET, Q , and V_{DIODE} is the forward voltage drop of the diode.



10135544

FIGURE 13. Typical SEPIC Converter

POWER MOSFET SELECTION

As in a boost converter, parameters governing the selection of the MOSFET are the minimum threshold voltage, $V_{TH(MIN)}$, the on-resistance, $R_{DS(ON)}$, the total gate charge, Q_g , the reverse transfer capacitance, C_{RSS} , and the maximum drain to source voltage, $V_{DS(MAX)}$. The peak switch voltage in a SEPIC is given by:

$$V_{SW(PEAK)} = V_{IN} + V_{OUT} + V_{DIODE}$$

The selected MOSFET should satisfy the condition:

$$V_{DS(MAX)} > V_{SW(PEAK)}$$

The peak switch current is given by:

$$I_{SW(PEAK)} = I_{L1(AVG)} + I_{OUT} + \frac{\Delta I_{L1} + \Delta I_{L2}}{2}$$

The rms current through the switch is given by:

$$I_{SWRMS} = \sqrt{\left[I_{SWPEAK}^2 - I_{SWPEAK} (\Delta I_{L1} + \Delta I_{L2}) + \frac{(\Delta I_{L1} + \Delta I_{L2})^2}{3} \right] D}$$

POWER DIODE SELECTION

The Power diode must be selected to handle the peak current and the peak reverse voltage. In a SEPIC, the diode peak current is the same as the switch peak current. The off-state voltage or peak reverse voltage of the diode is $V_{IN} + V_{OUT}$. Similar to the boost converter, the average diode current is equal to the output current. Schottky diodes are recommended.

SELECTION OF INDUCTORS L1 AND L2

Proper selection of inductors L1 and L2 to maintain continuous current conduction mode requires calculations of the following parameters.

Average current in the inductors:

$$I_{L1AVE} = \frac{DI_{OUT}}{1-D}$$

$$I_{L2AVE} = I_{OUT}$$

Peak to peak ripple current, to calculate core loss if necessary:

$$\Delta I_{L1} = \frac{(V_{IN} - V_Q) D}{(L1)f_s}$$

$$\Delta I_{L2} = \frac{(V_{IN} - V_Q) D}{(L2)f_s}$$

Maintaining the condition $I_L > \Delta I_L / 2$ to ensure continuous current conduction yields:

$$L1 > \frac{(V_{IN} - V_Q)(1-D)}{2I_{OUT}f_s}$$

$$L2 > \frac{(V_{IN} - V_Q)D}{2I_{OUT}f_s}$$

Peak current in the inductor, to ensure the inductor does not saturate:

$$I_{L1PK} = \frac{DI_{OUT}}{1-D} + \frac{\Delta I_{L1}}{2}$$

$$I_{L2PK} = I_{OUT} + \frac{\Delta I_{L2}}{2}$$

I_{L1PK} must be lower than the maximum current rating set by the current sense resistor.

The value of L1 can be increased above the minimum recommended to reduce input ripple and output ripple. However, once D_{IL1} is less than 20% of I_{L1AVE} , the benefit to output ripple is minimal.

By increasing the value of L2 above the minimum recommended, ΔI_{L2} can be reduced, which in turn will reduce the output ripple voltage:

$$\Delta V_{OUT} = \left(\frac{I_{OUT}}{1-D} + \frac{\Delta I_{L2}}{2} \right) ESR$$

where ESR is the effective series resistance of the output capacitor.

If L1 and L2 are wound on the same core, then $L1 = L2 = L$. All the equations above will hold true if the inductance is replaced by 2L.

SENSE RESISTOR SELECTION

The peak current through the switch, $I_{SW(PEAK)}$ can be adjusted using the current sense resistor, R_{SEN} , to provide a certain output current. Resistor R_{SEN} can be selected using the formula:

$$R_{SEN} = \frac{V_{SENSE} - D(V_{SL} + \Delta V_{SL})}{I_{SWPEAK}}$$

SEPIC Capacitor Selection

The selection of the SEPIC capacitor, CS, depends on the rms current. The rms current of the SEPIC capacitor is given by:

$$I_{CSRMS} = \sqrt{I_{SWRMS}^2 + (I_{L1PK}^2 - I_{L1PK}\Delta I_{L1} + \Delta I_{L1}^2)(1-D)}$$

The SEPIC capacitor must be rated for a large ACrms current relative to the output power. This property makes the SEPIC much better suited to lower power applications where the rms current through the capacitor is relatively small (relative to capacitor technology). The voltage rating of the SEPIC capacitor must be greater than the maximum input voltage. There is an energy balance between CS and L1, which can be used to determine the value of the capacitor. The basic energy balance equation is:

$$\frac{1}{2} C_S \Delta V_S^2 = \frac{1}{2} L_1 \Delta I_{L1}^2$$

where

$$\Delta V_S = \left(\frac{V_{OUT}}{V_{OUT} + V_{IN} - V_Q + V_{DIODE}} \right) \frac{I_{OUT}}{f_S C_S}$$

is the ripple voltage across the SEPIC capacitor, and

$$\Delta I_{L1} = \frac{(V_{IN} - V_Q) D}{L_1 f_S}$$

is the ripple current through the inductor L1. The energy balance equation can be solved to provide a minimum value for C_S :

$$C_S \geq L_1 \frac{I_{OUT}^2}{(V_{IN} - V_Q)^2}$$

Input Capacitor Selection

Similar to a boost converter, the SEPIC has an inductor at the input. Hence, the input current waveform is continuous and triangular. The inductor ensures that the input capacitor sees fairly low ripple currents. However, as the input capacitor gets smaller, the input ripple goes up. The rms current in the input capacitor is given by:

$$I_{CIN(RMS)} = \Delta I_{L1} / \sqrt{2} = \frac{D}{2\sqrt{3}} \left(\frac{V_{IN} - V_Q}{L_1 f_S} \right)$$

The input capacitor should be capable of handling the rms current. Although the input capacitor is not as critical in a boost application, low values can cause impedance interactions. Therefore a good quality capacitor should be chosen in the range of 100 μ F to 200 μ F. If a value lower than 100 μ F is used than problems with impedance interactions or switching noise can affect the LM3478. To improve performance, especially with V_{IN} below 8 volts, it is recommended to use a 20 Ω resistor at the input to provide a RC filter. The resistor is placed in series with the V_{IN} pin with only a bypass capacitor attached to the V_{IN} pin directly (see [Figure 11](#)). A 0.1 μ F or 1 μ F ceramic capacitor is necessary in this configuration. The bulk input capacitor and inductor will connect on the other side of the resistor with the input power supply.

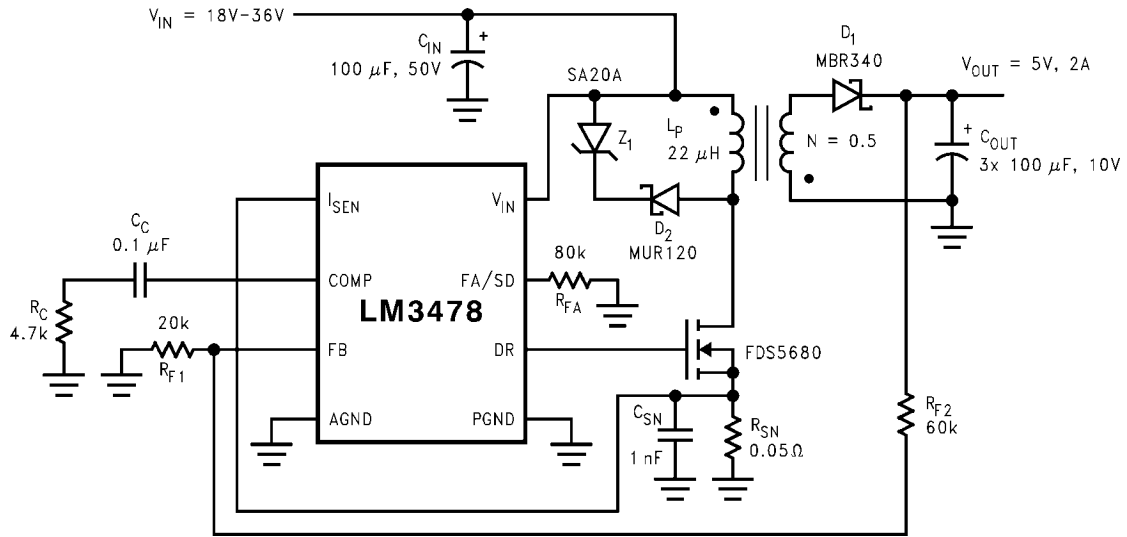
Output Capacitor Selection

The output capacitor of the SEPIC sees very large ripple currents (similar to the output capacitor of a boost converter). The rms current through the output capacitor is given by:

$$I_{RMS} = \sqrt{\left[I_{SWPK}^2 - I_{SWPK} (\Delta I_{L1} + \Delta I_{L2}) + \frac{(\Delta I_{L1} + \Delta I_{L2})^2}{3} \right] (1-D) - I_{OUT}^2}$$

The ESR and ESL of the output capacitor directly control the output ripple. Use low capacitors with low ESR and ESL at the output for high efficiency and low ripple voltage. Surface mount tantalums, surface mount polymer electrolytic and polymer tantalum, Sanyo-OSCON, or multi-layer ceramic capacitors are recommended at the output for low ripple.

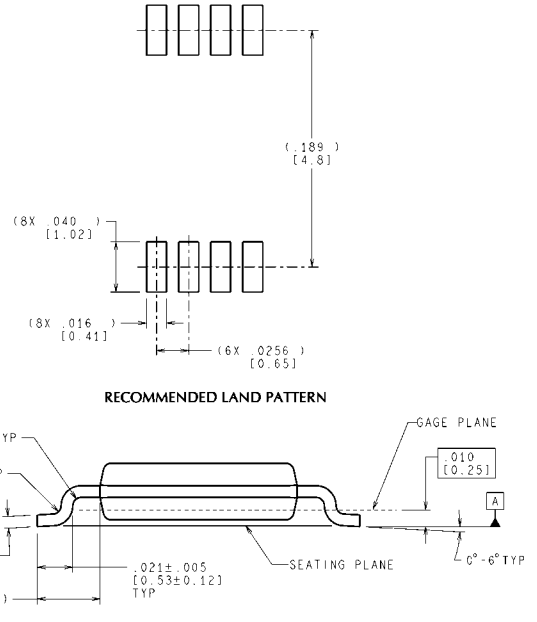
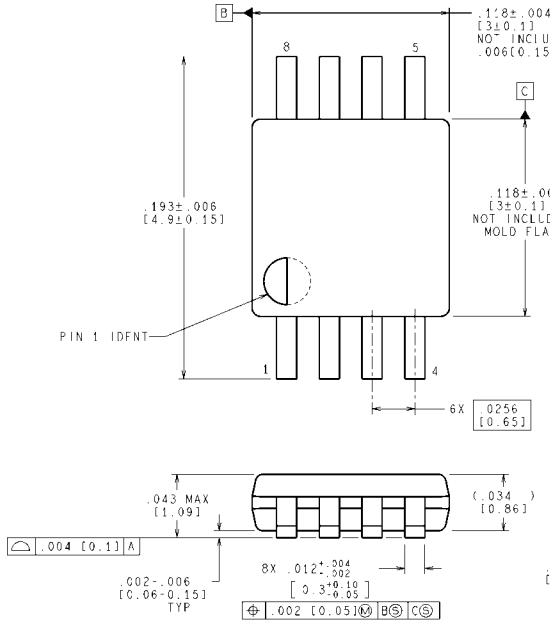
Other Application Circuit



10135543

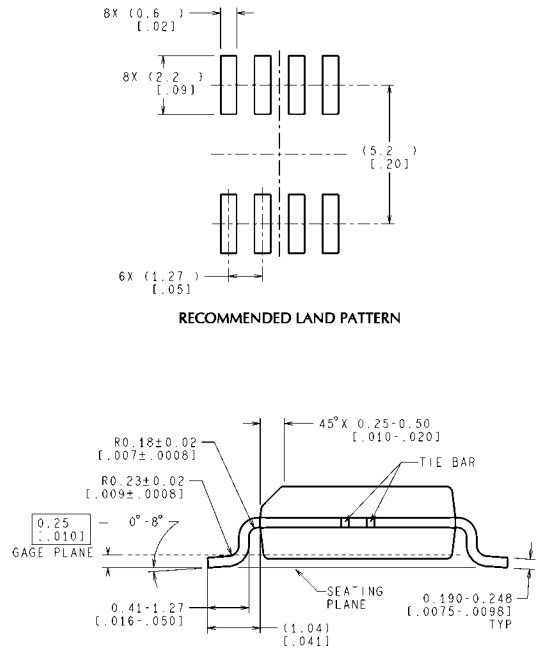
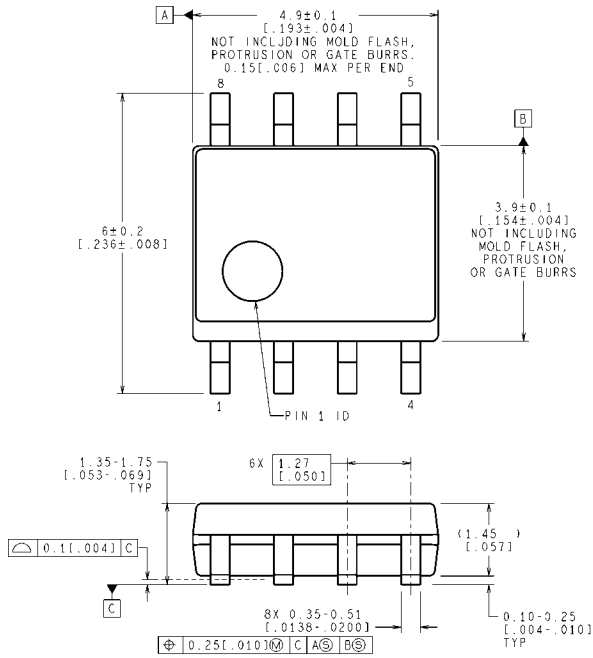
FIGURE 14. Typical Flyback Circuit

Physical Dimensions inches (millimeters) unless otherwise noted



CONTROLLING DIMENSION IS INCH
VALUES IN [] ARE MILLIMETERS

MUA08A (Rev F)



CONTROLLING DIMENSION IS MILLIMETER
VALUES IN [] ARE INCHES
DIMENSIONS IN () FOR REFERENCE ONLY

M08A (Rev M)

Notes

LM3478/LM3478Q

Notes

For more National Semiconductor product information and proven design tools, visit the following Web sites at:
www.national.com

Products		Design Support	
Amplifiers	www.national.com/amplifiers	WEBENCH® Tools	www.national.com/webench
Audio	www.national.com/audio	App Notes	www.national.com/appnotes
Clock and Timing	www.national.com/timing	Reference Designs	www.national.com/refdesigns
Data Converters	www.national.com/adc	Samples	www.national.com/samples
Interface	www.national.com/interface	Eval Boards	www.national.com/evalboards
LVDS	www.national.com/lvds	Packaging	www.national.com/packaging
Power Management	www.national.com/power	Green Compliance	www.national.com/quality/green
Switching Regulators	www.national.com/switchers	Distributors	www.national.com/contacts
LDOs	www.national.com/ldo	Quality and Reliability	www.national.com/quality
LED Lighting	www.national.com/led	Feedback/Support	www.national.com/feedback
Voltage References	www.national.com/vref	Design Made Easy	www.national.com/easy
PowerWise® Solutions	www.national.com/powerwise	Applications & Markets	www.national.com/solutions
Serial Digital Interface (SDI)	www.national.com/sdi	Mil/Aero	www.national.com/milaero
Temperature Sensors	www.national.com/tempensors	SolarMagic™	www.national.com/solarmagic
PLL/VCO	www.national.com/wireless	PowerWise® Design University	www.national.com/training

THE CONTENTS OF THIS DOCUMENT ARE PROVIDED IN CONNECTION WITH NATIONAL SEMICONDUCTOR CORPORATION ("NATIONAL") PRODUCTS. NATIONAL MAKES NO REPRESENTATIONS OR WARRANTIES WITH RESPECT TO THE ACCURACY OR COMPLETENESS OF THE CONTENTS OF THIS PUBLICATION AND RESERVES THE RIGHT TO MAKE CHANGES TO SPECIFICATIONS AND PRODUCT DESCRIPTIONS AT ANY TIME WITHOUT NOTICE. NO LICENSE, WHETHER EXPRESS, IMPLIED, ARISING BY ESTOPPEL OR OTHERWISE, TO ANY INTELLECTUAL PROPERTY RIGHTS IS GRANTED BY THIS DOCUMENT.

TESTING AND OTHER QUALITY CONTROLS ARE USED TO THE EXTENT NATIONAL DEEMS NECESSARY TO SUPPORT NATIONAL'S PRODUCT WARRANTY. EXCEPT WHERE MANDATED BY GOVERNMENT REQUIREMENTS, TESTING OF ALL PARAMETERS OF EACH PRODUCT IS NOT NECESSARILY PERFORMED. NATIONAL ASSUMES NO LIABILITY FOR APPLICATIONS ASSISTANCE OR BUYER PRODUCT DESIGN. BUYERS ARE RESPONSIBLE FOR THEIR PRODUCTS AND APPLICATIONS USING NATIONAL COMPONENTS. PRIOR TO USING OR DISTRIBUTING ANY PRODUCTS THAT INCLUDE NATIONAL COMPONENTS, BUYERS SHOULD PROVIDE ADEQUATE DESIGN, TESTING AND OPERATING SAFEGUARDS.

EXCEPT AS PROVIDED IN NATIONAL'S TERMS AND CONDITIONS OF SALE FOR SUCH PRODUCTS, NATIONAL ASSUMES NO LIABILITY WHATSOEVER, AND NATIONAL DISCLAIMS ANY EXPRESS OR IMPLIED WARRANTY RELATING TO THE SALE AND/OR USE OF NATIONAL PRODUCTS INCLUDING LIABILITY OR WARRANTIES RELATING TO FITNESS FOR A PARTICULAR PURPOSE, MERCHANTABILITY, OR INFRINGEMENT OF ANY PATENT, COPYRIGHT OR OTHER INTELLECTUAL PROPERTY RIGHT.

LIFE SUPPORT POLICY

NATIONAL'S PRODUCTS ARE NOT AUTHORIZED FOR USE AS CRITICAL COMPONENTS IN LIFE SUPPORT DEVICES OR SYSTEMS WITHOUT THE EXPRESS PRIOR WRITTEN APPROVAL OF THE CHIEF EXECUTIVE OFFICER AND GENERAL COUNSEL OF NATIONAL SEMICONDUCTOR CORPORATION. As used herein:

Life support devices or systems are devices which (a) are intended for surgical implant into the body, or (b) support or sustain life and whose failure to perform when properly used in accordance with instructions for use provided in the labeling can be reasonably expected to result in a significant injury to the user. A critical component is any component in a life support device or system whose failure to perform can be reasonably expected to cause the failure of the life support device or system or to affect its safety or effectiveness.

National Semiconductor and the National Semiconductor logo are registered trademarks of National Semiconductor Corporation. All other brand or product names may be trademarks or registered trademarks of their respective holders.

Copyright© 2011 National Semiconductor Corporation

For the most current product information visit us at www.national.com



National Semiconductor Americas Technical Support Center
 Email: support@nsc.com
 Tel: 1-800-272-9959

National Semiconductor Europe Technical Support Center
 Email: europe.support@nsc.com

National Semiconductor Asia Pacific Technical Support Center
 Email: ap.support@nsc.com

National Semiconductor Japan Technical Support Center
 Email: jpn.feedback@nsc.com