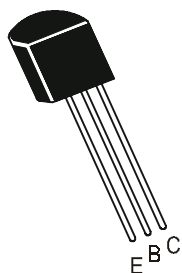


NPN SILICON PLANAR EPITAXIAL TRANSISTORS

2N6515, 2N6519
2N6516, 2N6520
2N6517



TO-92
Plastic Package

HIGH VOLTAGE TRANSISTORS

ABSOLUTE MAXIMUM RATINGS (Ta=25°C unless specified otherwise)

DESCRIPTION	SYMBOL	2N6515	2N6516	2N6517	UNIT
			2N6519	2N6520	
Collector Emitter Voltage	V_{CEO}	250	300	350	V
Collector Base Voltage	V_{CBO}	250	300	350	V
Emitter Base Voltage	V_{EBO}	NPN -----	6-----		V
		PNP -----	5-----		V
Collector Current Continuous	I_C		500		mA
Base Current (Continuous)	I_B		250		mA
Total Power Dissipation @ Ta=25°C	P_D		625		mW
Derate Above 25°C			5.0		mW/°C
Operating And Storage Junction Temperature Range	T_{stg}		-55 to +150		°C

THERMAL RESISTANCE

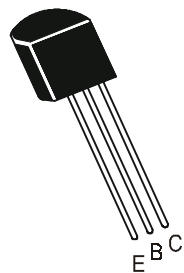
Junction to ambient	$R_{th(j-a)}$		200		°C/W
Junction to case	$R_{th(j-c)}$		83.3		°C/W

ELECTRICAL CHARACTERISTICS (Ta=25°C unless specified otherwise)

DESCRIPTION	SYMBOL TEST CONDITION	MIN	MAX	UNIT	
Collector Emitter Breakdown Voltage	BV_{CEO}^* $I_C=1mA, I_B=0$				
		2N6515	250		V
		2N6516, 6519	300		V
		2N6517, 6520	350		V
Collector Base Breakdown Voltage	BV_{CBO} $I_C=100\mu A, I_E=0$				
		2N6515	250		V
		2N6516, 6519	300		V
		2N6517, 6520	350		V
Emitter Base Breakdown Voltage	BV_{EBO} $I_E=10\mu A, I_C=0$				
		NPN	6		V
		PNP	5		V

NPN SILICON PLANAR EPITAXIAL TRANSISTORS

2N6515, 2N6519
2N6516, 2N6520
2N6517

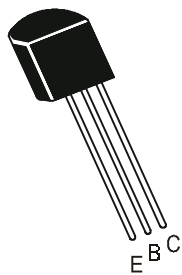


TO-92
Plastic Package

DESCRIPTION	SYMBOL	TEST CONDITION	MIN	MAX	UNIT	
Collector Cut off Current	I_{CBO}					
		2N6515	$V_{CB}=150V, I_E=0$		50	nA
		2N6516, 6519	$V_{CE}=200V, I_E=0$		50	nA
		2N6517, 6520	$V_{CE}=250V, I_E=0$		50	nA
Emitter Cut off Current	I_{EBO}					
		NPN	$V_{EB}=5V, I_C=0$		50	nA
		PNP	$V_{EB}=4V, I_C=0$		50	nA
DC Current Gain	h_{FE}^*	$V_{CE}=10V, I_C=1mA$				
			2N6515		35	
			2N6516, 6519		30	
			2N6517, 6520		20	
			2N6515	$V_{CE}=10V, I_C=10mA$	50	
			2N6516, 6519		45	
			2N6517, 6520		30	
			2N6515	$V_{CE}=10V, I_C=30mA$	50	300
			2N6516, 6519		45	270
			2N6517, 6520		30	200
			2N6515	$V_{CE}=10V, I_C=50mA$	45	220
			2N6516, 6519		40	200
			2N6517, 6520		20	200
			2N6515	$V_{CE}=10V, I_C=100mA$	25	
			2N6516, 6519		20	
			2N6517, 6520		15	
Base Emitter Saturation Voltage	$V_{BE(sat)}^*$	$I_C=10mA, I_B=1mA$		0.75	V	
		$I_C=20mA, I_B=2mA$		0.85	V	
		$I_C=30mA, I_B=3mA$		0.90	V	
Collector Emitter Saturation Voltage	$V_{CE(sat)}^*$	$I_C=10mA, I_B=1mA$		0.3	V	
		$I_C=20mA, I_B=2mA$		0.35	V	
		$I_C=30mA, I_B=3mA$		0.50	V	
		$I_C=50mA, I_B=5mA$		1.0	V	
Base Emitter on Voltage	$V_{BE(on)}^*$	$I_C=100mA, V_{CE}=10V$		2.0	V	

NPN SILICON PLANAR EPITAXIAL TRANSISTORS

2N6515, 2N6519
2N6516, 2N6520
2N6517



TO-92
Plastic Package

ELECTRICAL CHARACTERISTICS (Ta=25°C unless specified otherwise)

DESCRIPTION	SYMBOL	TEST CONDITION	MIN	MAX	UNIT
DYNAMIC CHARACTERISTICS					
Transition Frequency	f_T^*	$I_C=10\text{mA}, V_{CE}=20\text{V}$ $f=20\text{MHz}$	40	200	MHz
Collector Base Capacitance	C_{cb}	$V_{CB}=20\text{V}, I_E=0, f=1\text{MHz}$		6.0	pF
Emitter Base Capacitance	C_{eb}	$V_{EB}=0.5\text{V}, f=1\text{MHz}, I_C=0$			
	NPN			80	pF
	PNP			100	pF
Turn on Time	t_{on}	$V_{CC}=100\text{V}, V_{BE}(\text{off})=2.0\text{V}$ $I_C=50\text{mA}, I_{B1}=10\text{mA}$		200	μs
Turn Off Time	t_{off}	$V_C=100\text{V}, I_C=50\text{mA},$ $I_{B1}=I_{B2}=10\text{mA}$		3.5	μs

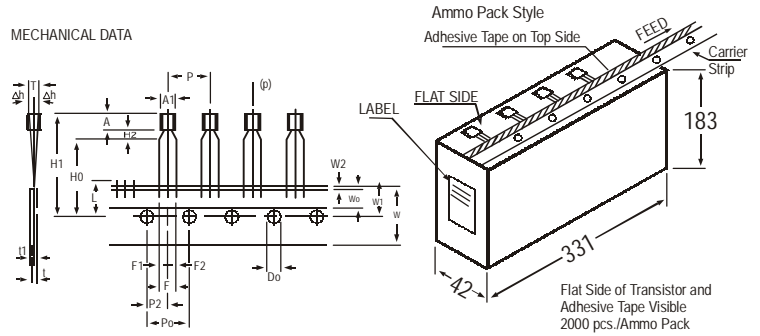
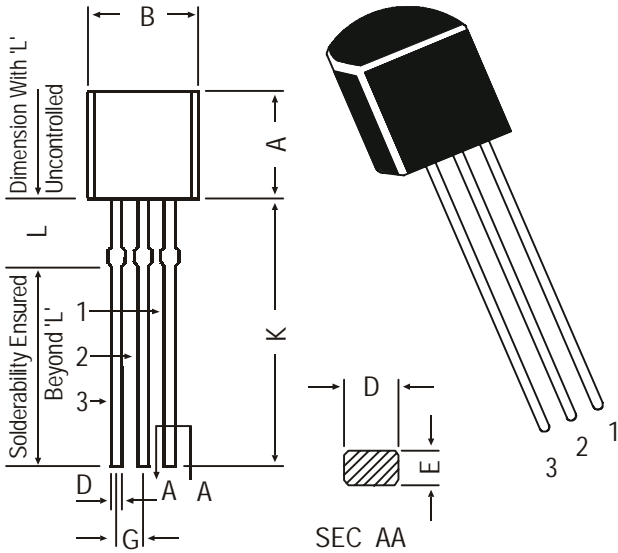
*Pulse Condition: Width $\leq 300\mu\text{s}$, Duty Cycle $\leq 2\%$.

2N6515, 2N6519
2N6516, 2N6520
2N6517

TO-92
Plastic Package

TO-92 Plastic Package

TO-92 Transistors on Tape and Ammo Pack



All dimensions in mm unless specified otherwise

ITEM	SYMBOL	SPECIFICATION				REMARKS
		MIN.	NOM.	MAX.	TOL.	
BODY WIDTH	A1	4.0		4.8		
BODY HEIGHT	A	4.8		5.2		
BODY THICKNESS	T	3.9		4.2		
PITCH OF COMPONENT	P		12.7		±1	CUMULATIVE PITCH ERROR 1.0 mm/20 PITCH
FEED HOLE PITCH	Po		12.7		±0.3	
FEED HOLE CENTRE TO COMPONENT CENTRE	P2		6.35		±0.4	TO BE MEASURED AT BOTTOM OF CLINCH
DISTANCE BETWEEN OUTER LEADS	F		5.08		+0.6 -0.2	AT TOP OF BODY
COMPONENT ALIGNMENT	Δh		0	1		
TAPE WIDTH	W		18		±0.5	
HOLD-DOWN TAPE WIDTH	Wo		6		±0.2	
HOLE POSITION	W1		9		+0.7 -0.5	
HOLD-DOWN TAPE POSITION	W2		0.5		±0.2	
LEAD WIRE CLINCH HEIGHT	Ho		16		±0.5	
COMPONENT HEIGHT	H1			23.25		
LENGTH OF SNIPPED LEADS	L			11.0		
FEED HOLE DIAMETER	Do		4		±0.2	t1 0.3 - 0.6
TOTAL TAPE THICKNESS	t			1.2		
LEAD - TO - LEAD DISTANCE F1,	F2		2.54		+0.4 -0.1	
CLINCH HEIGHT	H2			3		
PULL - OUT FORCE	(P)	6N				

NOTES

1. MAXIMUM ALIGNMENT DEVIATION BETWEEN LEADS NOT TO BE GREATER THAN 0.2 mm.
2. MAXIMUM NON-CUMULATIVE VARIATION BETWEEN TAPE FEED HOLES SHALL NOT EXCEED 1 mm IN 20 PITCHES.
3. HOLDDOWN TAPE NOT TO EXCEED BEYOND THE EDGE(S) OF CARRIER TAPE AND THERE SHALL BE NO EXPOSURE OF ADHESIVE.
4. NO MORE THAN 3 CONSECUTIVE MISSING COMPONENTS ARE PERMITTED.
5. A TAPE TRAILER, HAVING AT LEAST THREE FEED HOLES ARE REQUIRED AFTER THE LAST COMPONENT.
6. SPLICES SHALL NOT INTERFERE WITH THE SPROCKET FEED HOLES.

DIM	MIN.	MAX.
A	4.32	5.33
B	4.45	5.20
C	3.18	4.19
D	0.41	0.55
E	0.35	0.50
F	5 DEG	
G	1.14	1.40
H	1.14	1.53
K	12.70	—
L	1.982	2.082

All diminsions in mm.

- PIN CONFIGURATION
1. COLLECTOR
 2. BASE
 3. EMITTER

Packing Detail

PACKAGE	STANDARD PACK		INNER CARTON BOX		OUTER CARTON BOX		
	Details	Net Weight/Qty	Size	Qty	Size	Qty	Gr Wt
TO-92 Bulk	1K/polybag	200 gm/1K pcs	3" x 7.5" x 7.5"	5K	17" x 15" x 13.5"	80K	23 kgs
TO-92 T&A	2K/ammo box	645 gm/2K pcs	12.5" x 8" x 1.8"	2K	17" x 15" x 13.5"	32K	12.5 kgs

Disclaimer

The product information and the selection guides facilitate selection of the CDIL's Discrete Semiconductor Device(s) best suited for application in your product(s) as per your requirement. It is recommended that you completely review our Data Sheet(s) so as to confirm that the Device(s) meet functionality parameters for your application. The information furnished in the Data Sheet and on the CDIL Web Site/CD is believed to be accurate and reliable. CDIL however, does not assume responsibility for inaccuracies or incomplete information. Furthermore, CDIL does not assume liability whatsoever, arising out of the application or use of any CDIL product; neither does it convey any license under its patent rights nor rights of others. These products are not designed for use in life saving/support appliances or systems. CDIL customers selling these products (either as individual Discrete Semiconductor Devices or incorporated in their end products), in any life saving/support appliances or systems or applications do so at their own risk and CDIL will not be responsible for any damages resulting from such sale(s).

CDIL strives for continuous improvement and reserves the right to change the specifications of its products without prior notice.



CDIL is a registered Trademark of

Continental Device India Limited

C-120 Naraina Industrial Area, New Delhi 110 028, India.

Telephone + 91-11-2579 6150, 5141 1112 Fax + 91-11-2579 5290, 5141 1119

email@cdil.com www.cdilsemi.com