

# iMOTION™ IMC100

## High performance motor control IC series

IMC100

Quality Requirement Category: Industry

### Feature list

- Motion Control Engine (MCE) as ready-to-use solution for variable speed drives
- Field oriented control (FOC) for permanent magnet synchronous motor (PMSM)
- Space vector PWM with sinusoidal commutation and integrated protection features
- Current sensing via single or leg shunt
- Sensorless operation
- Optional support for hall sensors (analog or digital)
- Optional boost or totem pole PFC control integrated
- Flexible host interface options for motor control commands: UART, PWM or analog input signal
- Support for IEC 60335 ('Class B')
- Integrated scripting engine for application flexibility
- Multiple package options

### Applications

- Refrigerators
- Home appliances
- Pumps, fans
- ...any other PMSM drive

### Ordering Information

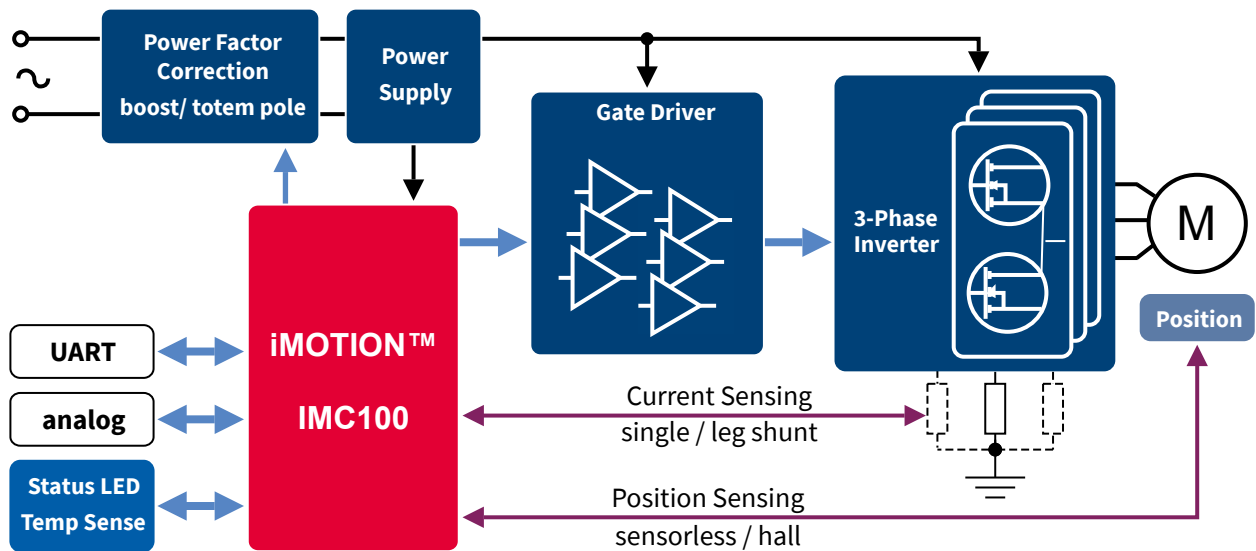
Product Type	Application	Package
IMC101T-T038	single motor	TSSOP-38
IMC101T-Q048		QFN-48
IMC101T-F048		TQFP-48
IMC101T-F064		LQFP-64
IMC102T-F048	single motor + PFC (boost, totem pole)	TQFP-48
IMC102T-F064		LQFP-64

Note: Variants in TQFP-48 package under development.

**Description**

**Description**

iMOTION™ IMC100 is a family of highly integrated ICs for the control of variable speed drives. By integrating both the required hardware and software to perform control of a permanent magnet synchronous motor (PMSM) they provide the shortest time to market for any motor system at the lowest system and development cost.



**Table of contents**

**Table of contents**

	<b>Feature list</b> .....	1
	<b>Applications</b> .....	1
	<b>Description</b> .....	2
	<b>Table of contents</b> .....	3
	<b>About this document</b> .....	4
<b>1</b>	<b>Block Diagram Reference</b> .....	5
<b>2</b>	<b>Pin Configuration</b> .....	6
2.1	Pin Configuration IMC101T .....	6
2.2	Pin Configuration Drawing IMC101T .....	8
2.3	Pin Configuration IMC102T .....	11
2.4	Pin Configuration Drawing IMC102T .....	13
<b>3</b>	<b>Functional description</b> .....	14
3.1	Application schematic motor control single shunt .....	15
3.2	Application schematic motor control leg shunt .....	16
3.3	Application schematic motor control plus boost PFC .....	17
3.4	Application schematic motor control plus totem pole PFC .....	18
<b>4</b>	<b>Electrical characteristics and parameters</b> .....	19
4.1	General Parameters .....	19
4.1.1	Parameter Interpretation .....	19
4.1.2	Absolute Maximum Ratings .....	19
4.1.3	Pin Reliability in Overload .....	20
4.1.4	Operating Conditions .....	22
4.2	DC Parameters .....	23
4.2.1	Input/Output Characteristics .....	23
4.2.2	Analog to Digital Converter (ADC) .....	25
4.2.3	Power Supply Current .....	26
4.2.4	Flash Memory Parameters .....	26
4.3	AC Parameters .....	27
4.3.1	Testing Waveforms .....	27
4.3.2	Power-Up and Supply Threshold Characteristics .....	28
4.3.3	On-Chip Oscillator Characteristics .....	30
4.4	Motor Control Parameters .....	31
4.4.1	PWM Characteristics .....	31
4.4.2	Current Sensing .....	31
4.4.3	Fault Timing .....	31
4.5	Power Factor Correction (PFC) parameters .....	33
4.5.1	Boost PFC characteristics .....	33

**About this document**

4.5.2	Totem Pole PFC characteristics .....	33
4.5.3	PFC Current Sensing .....	33
4.5.4	PFC Fault Timing .....	34
4.6	Control Interface Parameters .....	35
4.6.1	Serial Interface Parameters .....	35
4.6.1.1	UART Interface .....	35
4.6.2	Analog Speed Input .....	36
4.6.3	Frequency Input .....	37
4.6.4	Duty Cycle Input .....	38
4.6.5	Over Temperature Input .....	39
4.6.6	Pulse Output .....	39
4.6.7	LED Output .....	39
4.7	Quality Declaration .....	40
<b>5</b>	<b>Package specification</b> .....	<b>41</b>
5.1	Package Outlines .....	41
5.1.1	Package Outline PG-TSSOP-38-9 .....	41
5.1.2	Package Outline PG-VQFN-48-73 .....	42
5.1.3	Package Outline PG-TQFP-48 .....	43
5.1.4	Package Outline PG-LQFP-64-26 .....	44
5.2	Thermal Considerations .....	45
5.3	Part marking .....	46
<b>6</b>	<b>References</b> .....	<b>47</b>
	<b>Revision history</b> .....	<b>47</b>
	<b>Disclaimer</b> .....	<b>48</b>

**About this document**

**Scope and purpose**

This Datasheet describes the mechanical, electrical and functional characteristics of the iMOTION™ IMC100 series of motor control ICs. If no specific device is given the characteristics are valid for all devices within the iMOTION™ IMC100 series.

For a detailed description of the functionality and configuration options please refer to the reference manual of the Motion Control Engine.

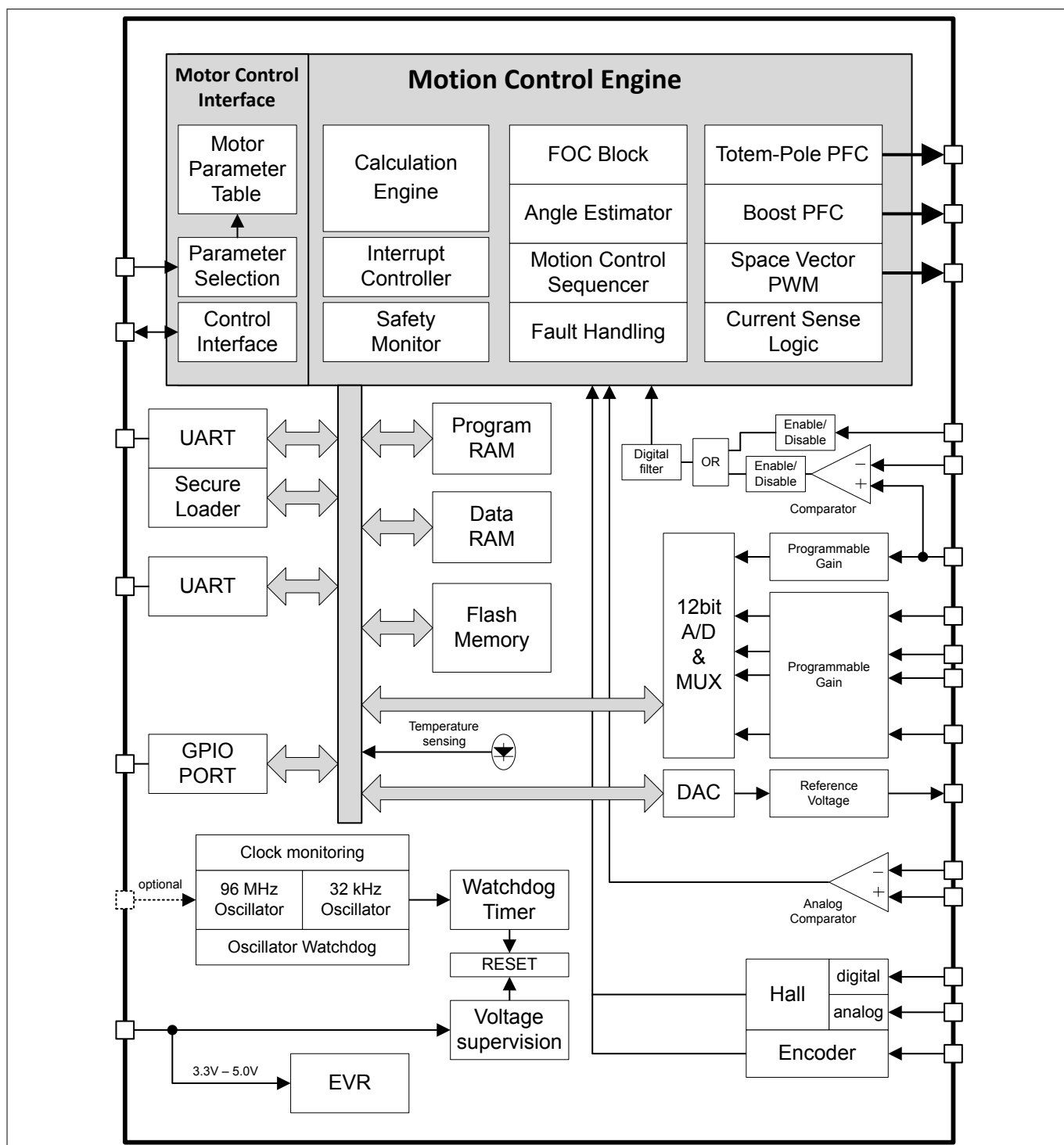
**Intended audience**

The Datasheet is targeting developers implementing a variable speed drive.

**Block Diagram Reference**

**1 Block Diagram Reference**

The block diagram below gives an overview on the available functional units in the iMOTION™ IMC100 family. Not all units are required in all applications and some modules might share pins in smaller packages. Please refer to the pin configuration for the individual packages and the application schematic examples given.



**Figure 1 Block diagram**

**Pin Configuration**

## 2 Pin Configuration

The following tables give the pin configurations of the individual devices of the IMC100 series in the available packages.

The pin type is specified as follows:

- I - digital input
- O - digital output
- AIN - analog input

The pin function given below refers to the standard software configuration. Different software might configure pins differently. Some of the input pins can be configured to have pull up or pull down resistor and some output pins can be configured to push-pull or open drain. This is described in the reference manual of the respective software.

Pins that do not have any signal assigned are reserved for future use. These pins should be left unconnected and neither be connected to ground nor to the positive supply.

*Note: All required reference voltages are generated by an internal DAC, therefore the pins like REFU, REFV, REFW and PFCREF only require a blocking capacitor.*

### 2.1 Pin Configuration IMC101T

**Table 1 Pin list**

Signal	Type	LQFP-64	VQFN-48	TQFP-48	TSSOP-38	Description
<b>Supply</b>						
VDD	Power	2, 24, 25, 35, 50	18, 19, 27, 38	18, 19, 27, 38	10, 26	Supply Voltage
VSS	Power	1, 23, 49	17, 37	17, 37	9, 25	Ground
<b>Motor control</b>						
PWMUL	O	29	21	21	11	PWM output phase U low side
PWMUH	O	30	22	22	12	PWM output phase U high side
PWMVL	O	31	23	23	13	PWM output phase V low side
PWMVH	O	32	24	24	14	PWM output phase V high side
PWMWL	O	33	25	25	15	PWM output phase W low side
PWMWH	O	34	26	26	16	PWM output phase W high side
GK	I	36	28	28	18	Motor gate kill input
VDC	AIN	14	8	8	2	DC bus sensing input
IU/ISS	AIN	18	12	12	6	Current sense input phase U / single shunt
IV	AIN	15	9	9	3	Current sense input phase V / analog input
IW	AIN	11	5	5	37	Current sense input phase W / analog input
REFU	AIN	17	11	11	5	Itrip phase U reference / analog input
REFV	AIN	16	10	10	4	Itrip phase V reference / analog input
REFW	AIN	10	4	4	36	Itrip phase W reference / analog input

**Pin Configuration**

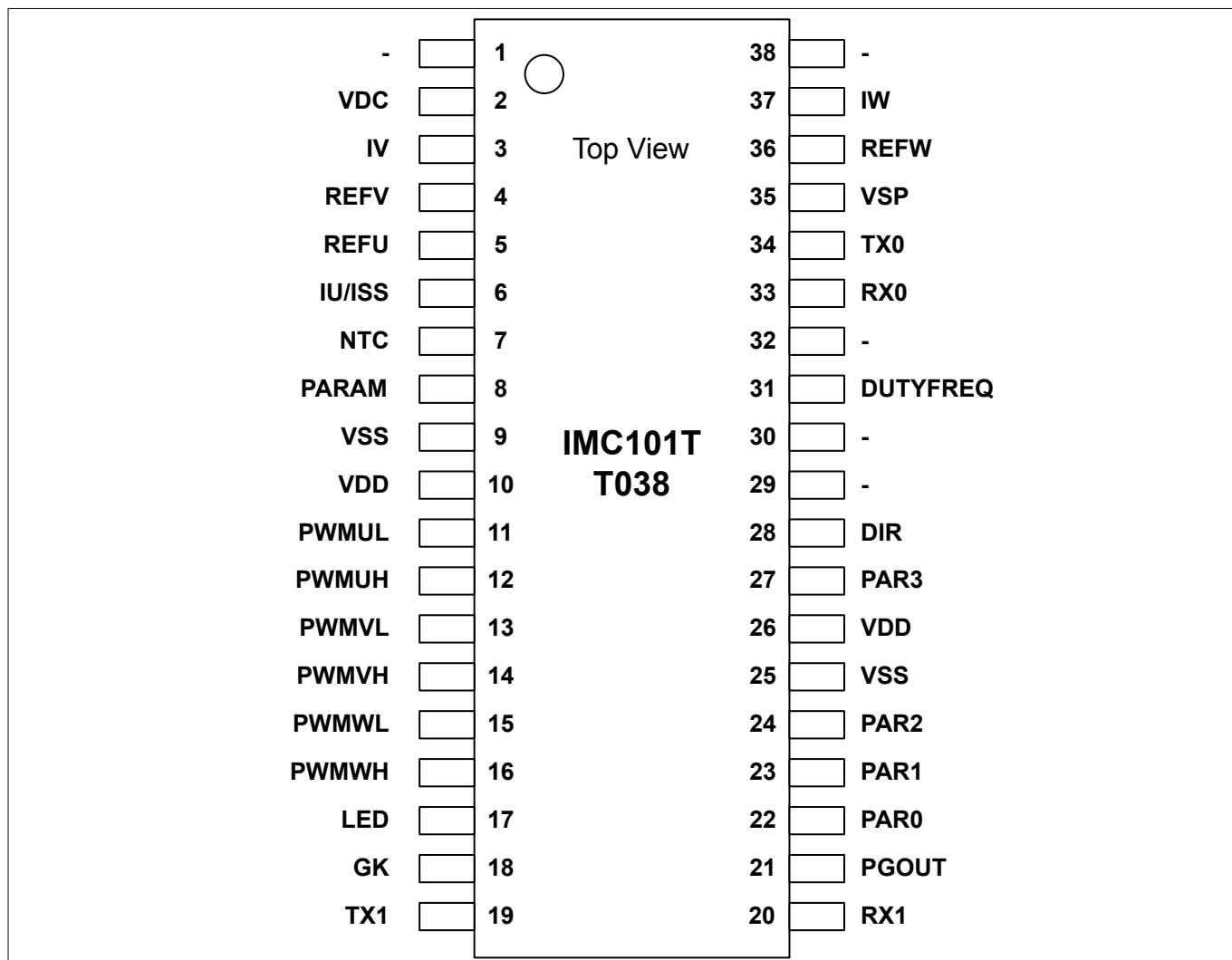
**Table 1 Pin list (continued)**

Signal	Type	LQFP-64	VQFN-48	TQFP-48	TSSOP-38	Description
Interface						
DIR	I	52	40	40	28	Direction input
DUTYFREQ	I	55	43	43	31	Duty/Frequency input
VSP	AIN	9	3	3	35	Analog speed reference input
PGOUT	O	42	30	30	21	Pulse output
PARAM	AIN	20	14	14	8	Parameter table selection, analog
PAR0	I	3	33	33	22	Parameter page select 0
PAR1	I	4	34	34	23	Parameter page select 1
PAR2	I	5	35	35	24	Parameter page select 2
PAR3	I	6	36	36	27	Parameter page select 3
NTC	AIN	13	7	7	7	External thermistor input
LED	O	41	29	29	17	Status LED
Communication						
RX0	I	57	45	45	33	Serial port 0, receive input
TX0	O	58	46	46	34	Serial port 0, transmit output
RX1	I	63	47	47	20	Serial port 1, receive input
TX1	O	64	48	48	19	Serial port 1, transmit output

**Pin Configuration**

**2.2 Pin Configuration Drawing IMC101T**

The following drawings give the position of the functional pins for the available packages.

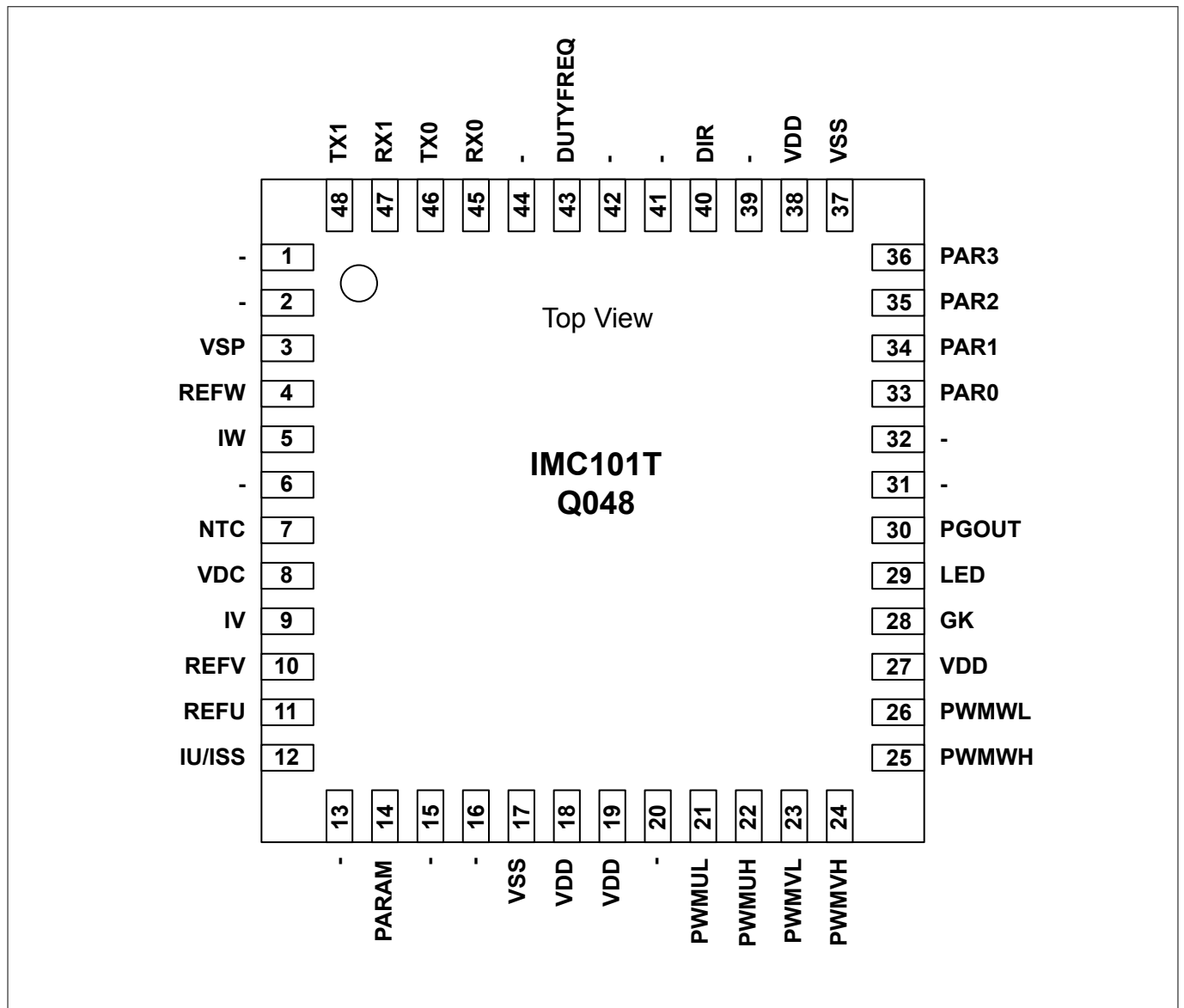


**Figure 2 IMC101T-T038**

Pins that do not have any signal assigned are reserved for future use. These pins should be left unconnected and neither be connected to ground nor to the positive supply.



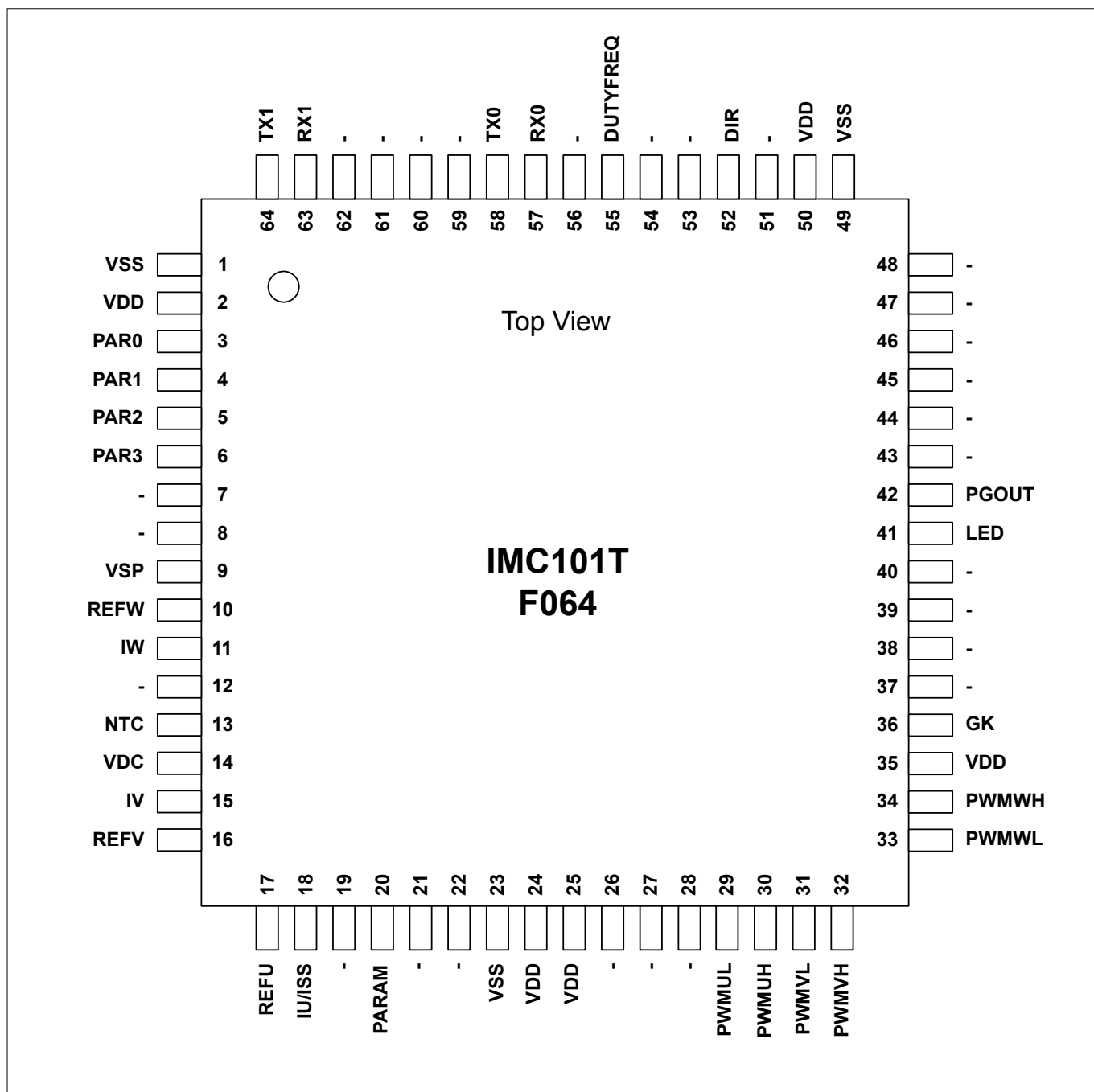
**Pin Configuration**



**Figure 3 IMC101T-Q048**

Pins that do not have any signal assigned are reserved for future use. These pins should be left unconnected and neither be connected to ground nor to the positive supply.

**Pin Configuration**



**Figure 4 IMC101T-F064**

Pins that do not have any signal assigned are reserved for future use. These pins should be left unconnected and neither be connected to ground nor to the positive supply.

**Pin Configuration**

**2.3 Pin Configuration IMC102T**

**Table 2 Pin list**

Signal	Type	LQFP-64	TQFP-48	Description
<b>Supply</b>				
VDD	Power	2, 24, 25, 35, 50	18, 19, 27, 38	Supply Voltage
VSS	Power	1, 23, 49	17, 37	Ground
<b>Motor control</b>				
PWMUL	O	29	21	PWM output phase U low side
PWMUH	O	30	22	PWM output phase U high side
PWMVL	O	31	23	PWM output phase V low side
PWMVH	O	32	24	PWM output phase V high side
PWMWL	O	33	25	PWM output phase W low side
PWMWH	O	34	26	PWM output phase W high side
GK	I	36	28	Motor gate kill input
VDC	AIN	14	8	DC bus sensing input
IU/ISS	AIN	18	12	Current sense input phase U / single shunt
IV	AIN	15	9	Current sense input phase V / analog input
IW	AIN	11	5	Current sense input phase W / analog input
REFU	AIN	17	11	Itrip phase U reference / analog input
REFV	AIN	16	10	Itrip phase V reference / analog input
REFW	AIN	10	4	Itrip phase W reference / analog input
<b>Power factor correction</b>				
PFCG0	O	44	31	PFC gate drive 0
PFCG1	O	43	32	PFC gate drive 1 (totem pole only - high side switch)
PFCI	AIN	12	6	PFC current sensing
PFCREF	AIN	21	15	Itrip PFC reference input
PFCITRIP	AIN	22	16	Itrip PFC input
VAC1	AIN	20	14	VAC sense input line 1
VAC2	AIN	19	13	VAC sense input line 2
<b>Interface</b>				
DIR	I	52	40	Direction input
DUTYFREQ	I	55	43	Duty/Frequency input
VSP	AIN	9	3	Analog speed reference input
PGOUT	O	42	30	Pulse output
PAR0	I	3	33	Parameter page select 0
PAR1	I	4	34	Parameter page select 1

---

**Pin Configuration**

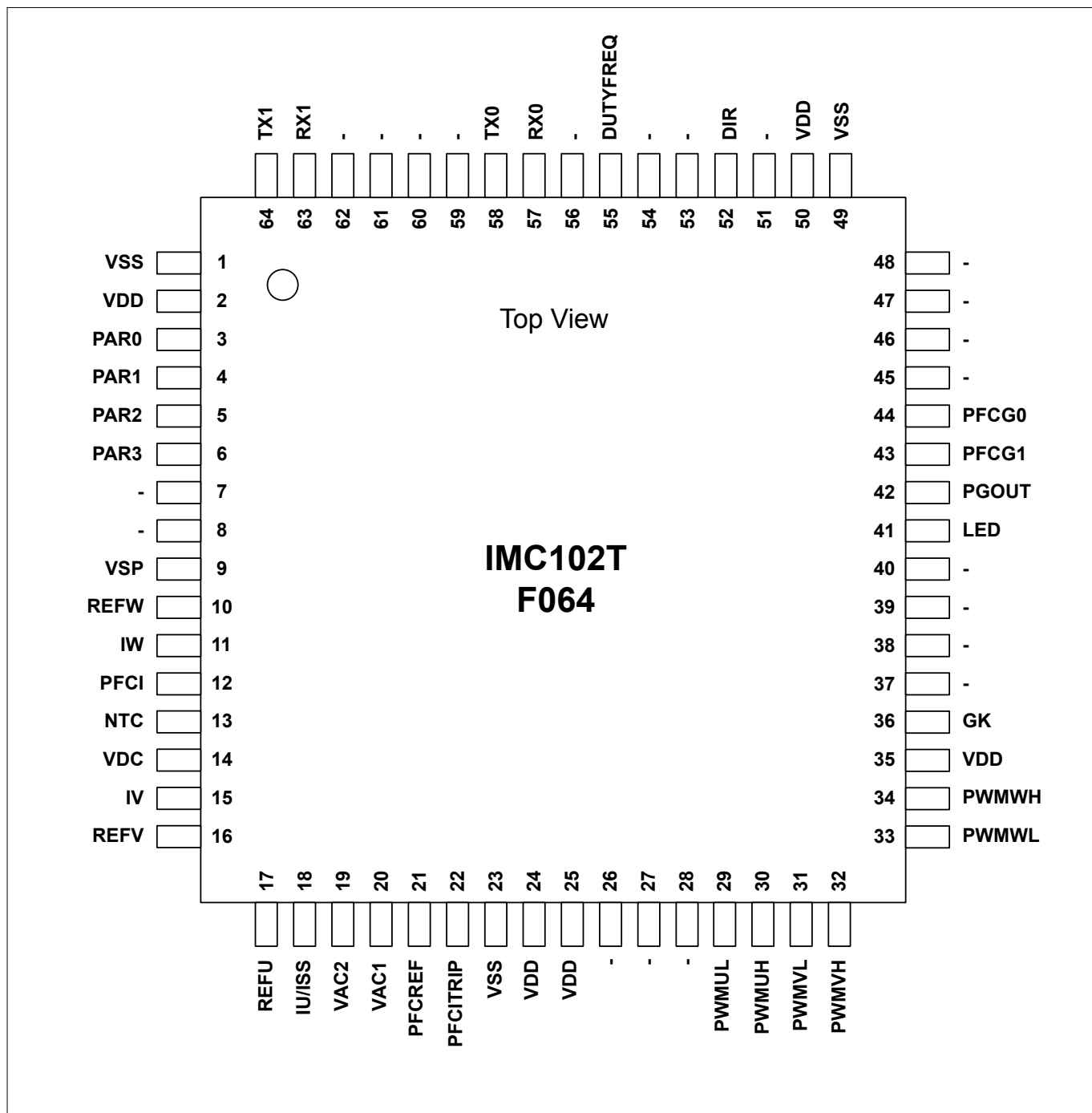
**Table 2 Pin list (continued)**

<b>Signal</b>	<b>Type</b>	<b>LQFP-64</b>	<b>TQFP-48</b>	<b>Description</b>
PAR2	I	5	35	Parameter page select 2
PAR3	I	6	36	Parameter page select 3
NTC	AIN	13	7	External thermistor input
LED	O	41	29	Status LED
Communication				
RX0	I	57	45	Serial port 0, receive input
TX0	O	58	46	Serial port 0, transmit output
RX1	I	63	47	Serial port 1, receive input
TX1	O	64	48	Serial port 1, transmit output

**Pin Configuration**

**2.4 Pin Configuration Drawing IMC102T**

The following drawings give the position of the functional pins for the available packages.



**Figure 5 IMC102T-F064**

Pins that do not have any signal assigned are reserved for future use. These pins should be left unconnected and neither be connected to ground nor to the positive supply.

---

**Functional description**

### **3 Functional description**

iMOTION™ IMC100 is a series of highly integrated ICs for the control of a Permanent Magnet Synchronous Motor (PMSM). IMC101 devices provide control of a single motor while the IMC102 devices control the motor and additionally a boost or totem pole power factor correction (PFC).

The IMC100 series is based on Infineon's Motion Control Engine (MCE) and integrate all hardware and software functions required to implement a closed loop sensorless (or optionally sensor based) control algorithm for permanent magnet motors. IMC100 devices do not require any software programming and can be configured for a wide range of motor control inverters.

The IMC100 series takes advantage of a new hardware platform that is based on a comprehensive set of innovative analog and motor control peripherals. The high level of integration both in terms of hardware modules and software algorithms results in a minimum number of external components required for the implementation of the inverter control.

Infineon's patented and field proven Motion Control Engine (MCE) implements field oriented control (FOC) using single or leg shunt current feedback and uses space vector pulse width modulation (PWM) with sinusoidal signals to achieve highest energy efficiency. In addition to the motor control algorithm it also integrates multiple configurable protection features like over- and under-voltage, over current, rotor lock etc. to protect both the power stage as well as the motor during application tuning or in case of malfunction.

The second generation of the MCE further improves the performance of the sensorless control algorithm and adds functionality like optional sensor support for applications that require accurate rotor positioning, two types of ready-to-use PFC algorithms as well as more and flexible and faster host interface options.

The IMC100 series is offered in several device and package variants for applications from single motor control to motor control plus PFC. All devices can be used in applications requiring functional safety according to IEC 60335 ('Class B').

There are multiple versions of the MCE software offered by Infineon and made available for download from the Infineon web site.

By using a special secure boot loader algorithm in combination with type specific chip IDs it is assured that these MCE software versions can only be installed onto the matching hardware derivatives, i.e. IMC100 variants for which the software has been tested and released for. Infineon provides the tools to program these software images for download from the website.

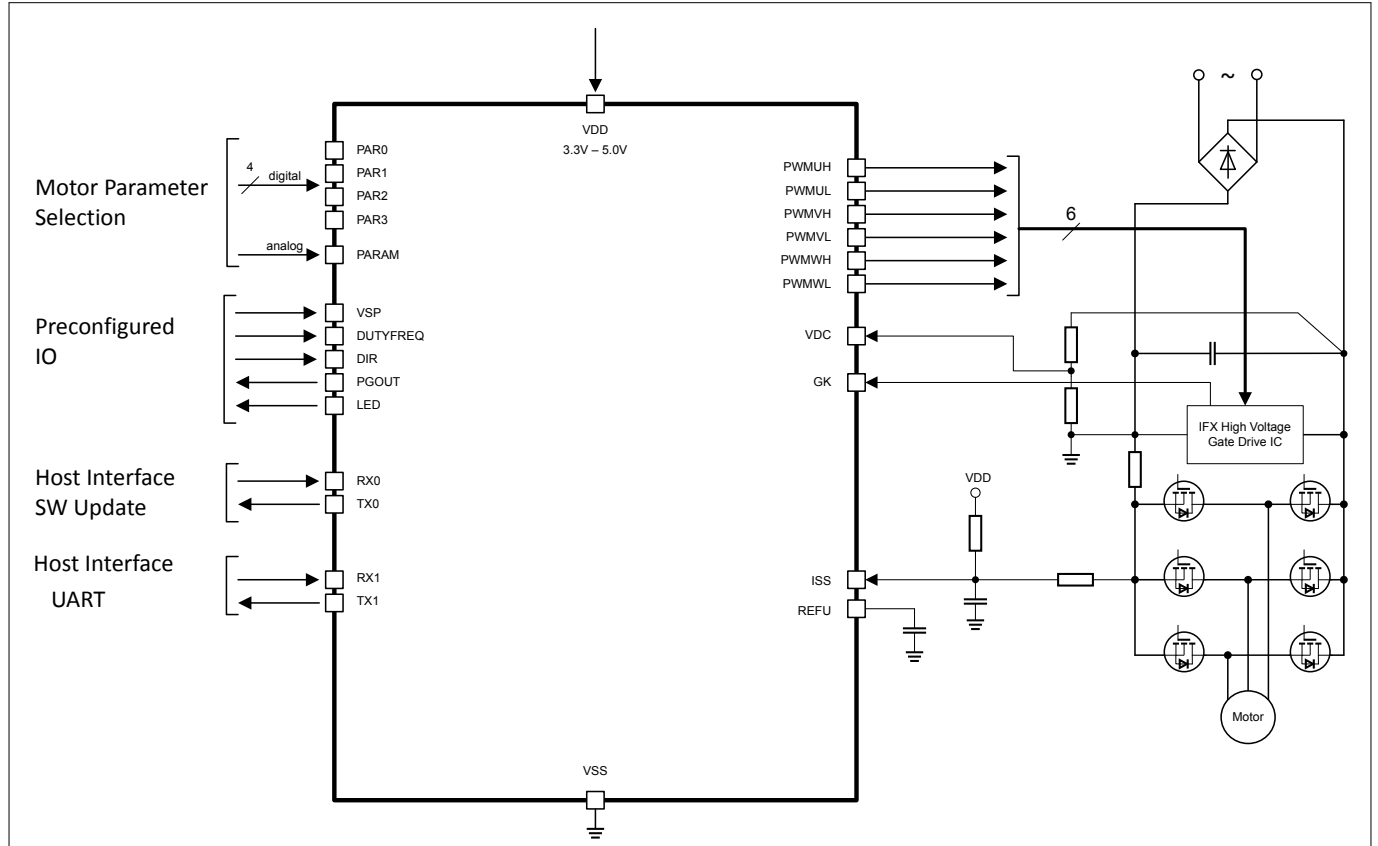
This data sheet provides all electrical, mechanical, thermal and quality parameters. A detailed description of the features, functionality and configuration of the Motion Control Engine (MCE) can be found in the respective reference manual of the MCE.

The application schematics in the following chapters show some examples of different use cases for the IMC100 devices. The combination of the different configuration options like leg vs. single shunt, sensorless or sensed operation, boost or totem pole PFC etc. is not limited to the examples shown here but can be chosen according to the individual application requirements.

**Functional description**

**3.1 Application schematic motor control single shunt**

Figure 6 gives the schematic diagram for a motor control system using the IMC101 in sensorless operation and single shunt mode.

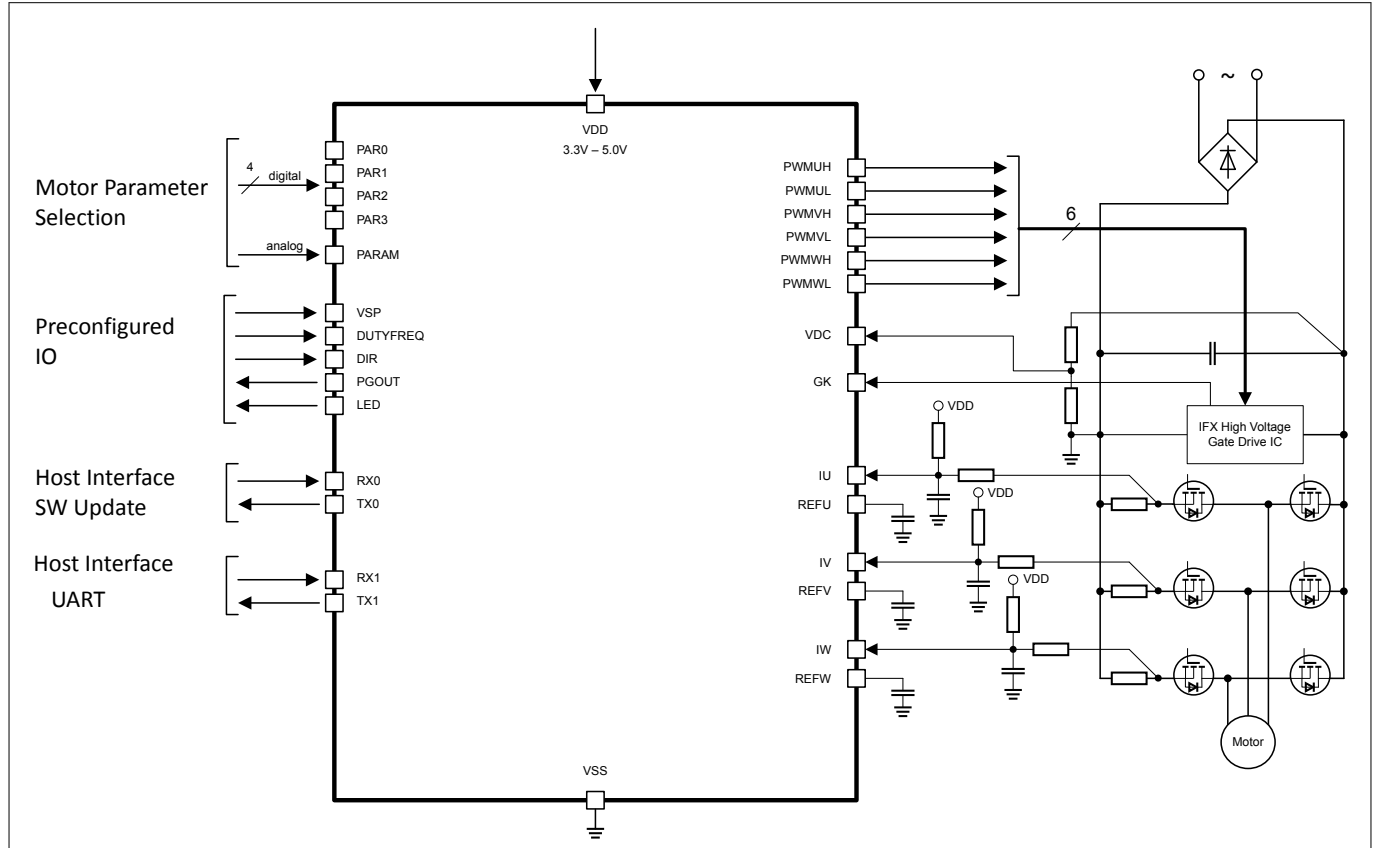


**Figure 6 IMC101 in single shunt configuration**

**Functional description**

**3.2 Application schematic motor control leg shunt**

Figure 7 gives the schematic diagram for a motor control system using the IMC101 in sensorless operation and leg shunt mode.



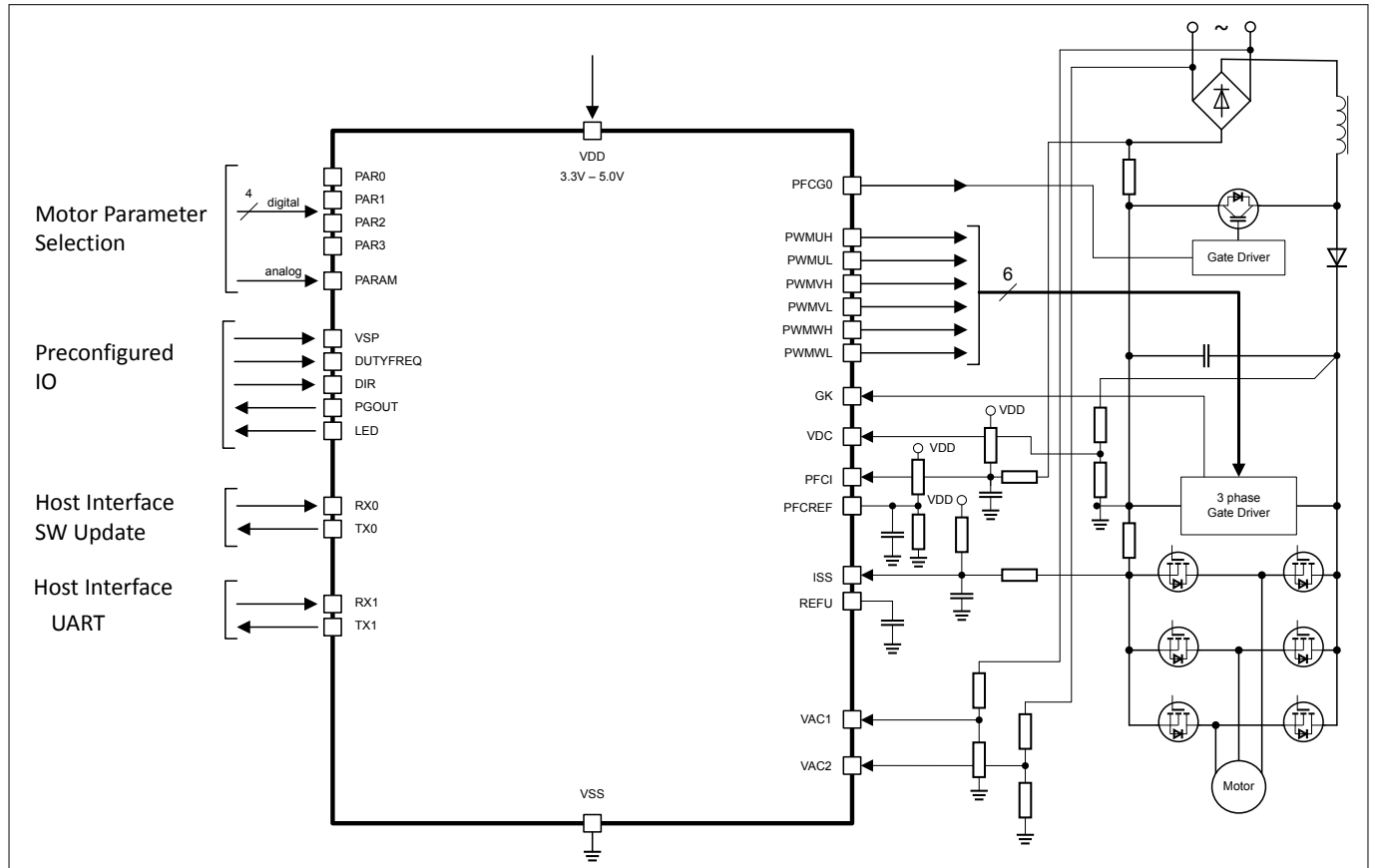
**Figure 7 IMC101 in leg shunt configuration**



**Functional description**

**3.3 Application schematic motor control plus boost PFC**

**Figure 8** gives the schematic diagram for a motor control system with boost PFC using the IMC102 in sensorless operation and single shunt mode.

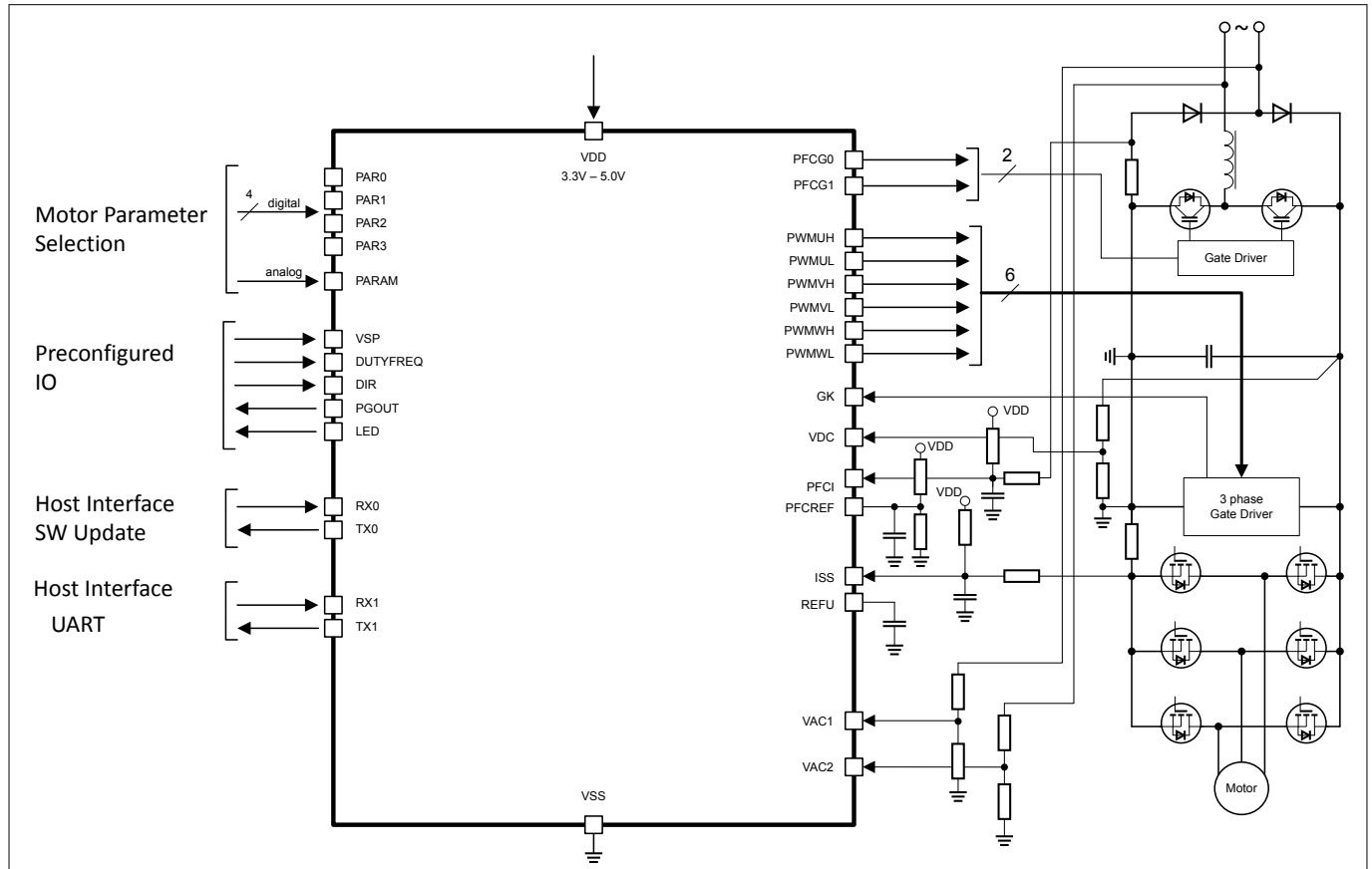


**Figure 8 IMC102 in single shunt configuration with boost PFC control**

**Functional description**

**3.4 Application schematic motor control plus totem pole PFC**

Figure 9 gives the schematic diagram for a motor control system with totem pole PFC using the IMC102 in sensorless operation and single shunt mode.



**Figure 9 IMC102 in single shunt configuration with totem pole PFC**

**Electrical characteristics and parameters**

## 4 Electrical characteristics and parameters

### 4.1 General Parameters

#### 4.1.1 Parameter Interpretation

The parameters listed in this section represent partly the characteristics of the IMC100 and partly its requirements on the system. To aid interpreting the parameters easily when evaluating them for a design, they are indicated by the abbreviations in the “Symbol” column:

- **CC**  
 Such parameters indicate **C**ontroller **C**haracteristics, which are distinctive feature of the IMC100 and must be regarded for a system design.
- **SR**  
 Such parameters indicate **S**ystem **R**equirements, which must be provided by the application system in which the IMC100 is designed in.

#### 4.1.2 Absolute Maximum Ratings

Stresses above the values listed under “Absolute Maximum Ratings” may cause permanent damage to the device. This is a stress rating only and functional operation of the device at these or any other conditions above those indicated in the operational sections of this specification is not implied. Exposure to absolute maximum rating conditions may affect device reliability.

**Table 3 Absolute Maximum Rating Parameters**

Parameter	Symbol	Values			Unit	Note or Test Condition
		Min.	Typ.	Max.		
Ambient temperature	$T_A$ SR	-40	–	105	°C	–
Junction temperature	$T_J$ SR	-40	–	115	°C	–
Storage temperature	$T_{ST}$ SR	-55	–	125	°C	–
Voltage on power supply pin with respect to $V_{SSP}$	$V_{DDP}$ SR	-0.3	–	6	V	–
Voltage on digital pins with respect to $V_{SSP}$	$V_{IN}$ SR	-0.3	–	$V_{DDP} + 0.3$ or max. 6	V	whichever is lower
Voltage on analog input pins with respect to $V_{SSP}$	$V_{AIN}$ $V_{AREF}$ SR	-0.5	–	$V_{DDP} + 0.5$ or max. 6	V	whichever is lower
Input current on any pin during overload condition	$I_{IN}$ SR	-10	–	10	mA	–
Absolute maximum sum of all input currents during overload condition	$\sum I_{IN}$ SR	-50	–	+50	mA	–

**Electrical characteristics and parameters**

**4.1.3 Pin Reliability in Overload**

When receiving signals from higher voltage devices, low-voltage devices experience overload currents and voltages that go beyond their own IO power supplies specification.

**Table 4** defines overload conditions that will not cause any negative reliability impact if all the following conditions are met:

- full operation life-time is not exceeded
- **Operating Conditions** are met for
  - pad supply levels ( $V_{DDP}$ )
  - temperature

If a pin current is outside of the **Operating Conditions** but within the overload conditions, then the parameters of this pin as stated in the Operating Conditions can no longer be guaranteed. Operation is still possible in most cases but with relaxed parameters.

*Note:* An overload condition on one or more pins does not require a reset.

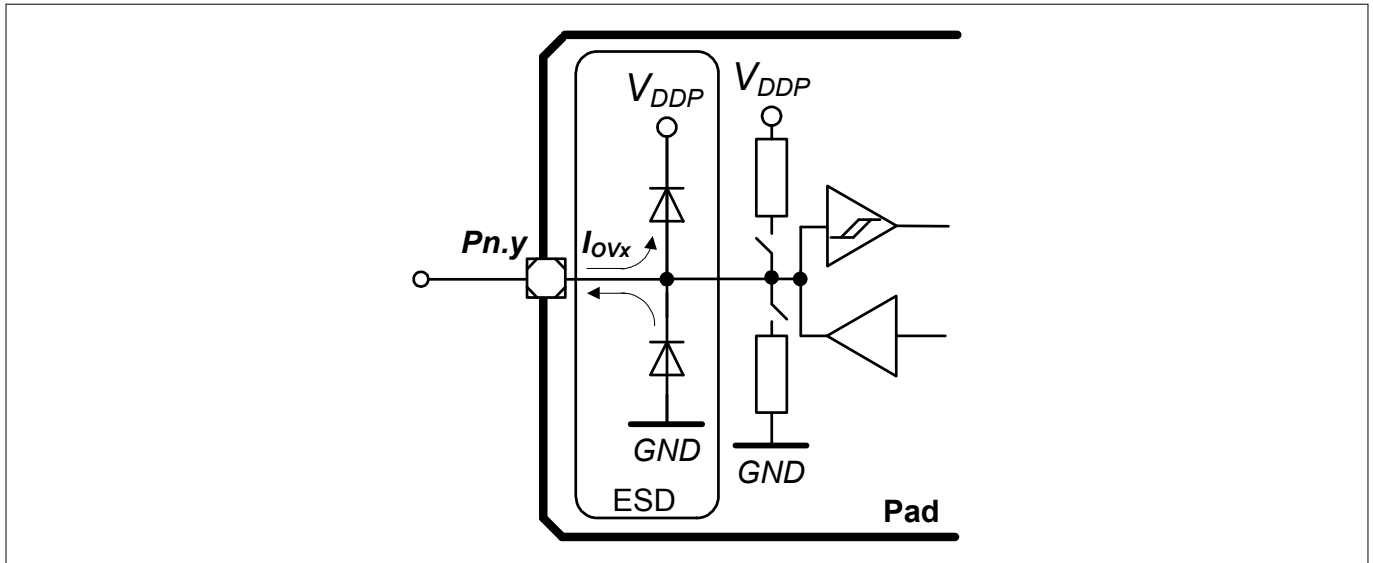
*Note:* A series resistor at the pin to limit the current to the maximum permitted overload current is sufficient to handle failure situations like short to battery.

**Table 4 Overload Parameters**

Parameter	Symbol	Values			Unit	Note or Test Condition
		Min.	Typ.	Max.		
Input current on analog port pins during overload condition	$I_{OVA}$ SR	-3	-	3	mA	
Input current on any port pin during overload condition	$I_{OV}$ SR	-5	-	5	mA	
Absolute sum of all input circuit currents during overload condition	$I_{OVS}$ SR	-	-	25	mA	

**Electrical characteristics and parameters**

Figure 10 shows the path of the input currents during overload via the ESD protection structures. The diodes against  $V_{DDP}$  and ground are a simplified representation of these ESD protection structures.



**Figure 10 Input Overload Current via ESD structures**

Table 5 and Table 6 list input voltages that can be reached under overload conditions. Note that the absolute maximum input voltages as defined in the **Absolute Maximum Ratings** must not be exceeded during overload.

**Table 5 PN-Junction Characteristics for positive Overload**

Pad Type	$I_{OV} = 5 \text{ mA}$
Standard, High-current, AN/DIG_IN	$V_{IN} = V_{DDP} + (0.3 \dots 0.5) \text{ V}$ $V_{AIN} = V_{DDP} + 0.5 \text{ V}$ $V_{AREF} = V_{DDP} + 0.5 \text{ V}$

**Table 6 PN-Junction Characteristics for negative Overload**

Pad Type	$I_{OV} = 5 \text{ mA}$
Standard, High-current, AN/DIG_IN	$V_{IN} = V_{SS} - (0.3 \dots 0.5) \text{ V}$ $V_{AIN} = V_{SS} - 0.5 \text{ V}$ $V_{AREF} = V_{SS} - 0.5 \text{ V}$

**Electrical characteristics and parameters**

**4.1.4 Operating Conditions**

The following operating conditions must not be exceeded in order to ensure correct operation and reliability of the IMC100. All parameters specified in the following tables refer to these operating conditions, unless noted otherwise.

**Table 7 Operating Conditions Parameters**

Parameter	Symbol	Values			Unit	Note or Test Condition
		Min.	Typ.	Max.		
Ambient Temperature	$T_A$ SR	-40	–	105	°C	
Junction temperature	$T_J$ SR	-40	–	115	°C	
Digital supply voltage <sup>1)</sup>	$V_{DDP}$ SR	3.0	3.3	5.5	V	
Short circuit current of digital outputs <sup>2)</sup>	$I_{SC}$ SR	-5	–	5	mA	
Absolute sum of short circuit currents of the device <sup>3)</sup>	$\Sigma I_{SC\_D}$ SR	–	–	25	mA	

<sup>1</sup> See also the Supply Monitoring thresholds ***Power-Up and Supply Threshold Characteristics***.

<sup>2</sup> Applicable for digital outputs.

<sup>3</sup> See also section "Pin Reliability in Overload" for overload current definitions.

**Electrical characteristics and parameters**

**4.2 DC Parameters**

**4.2.1 Input/Output Characteristics**

The table below provides the characteristics of the input/output pins of the IMC100.

*Note: These parameters are not subject to production test, but verified by design and/or characterization.*

*Note: Unless otherwise stated, input DC and AC characteristics, including peripheral timings, assume that the input pads operate with the standard hysteresis.*

**Table 8 Input/Output Characteristics (Operating Conditions apply)**

Parameter	Symbol	CC	Limit Values		Unit	Test Conditions
			Min.	Max.		
Output low voltage on port pins	$V_{OLP}$	CC	-	1.0	V	$I_{OL} = 11 \text{ mA (5 V)}$ $I_{OL} = 7 \text{ mA (3.3 V)}$
			-	0.4	V	$I_{OL} = 5 \text{ mA (5 V)}$ $I_{OL} = 3.5 \text{ mA (3.3 V)}$
Output low voltage on PWM outputs	$V_{OLP1}$	CC	-	1.0	V	$I_{OL} = 50 \text{ mA (5 V)}$ $I_{OL} = 25 \text{ mA (3.3 V)}$
			-	0.32	V	$I_{OL} = 10 \text{ mA (5 V)}$
			-	0.4	V	$I_{OL} = 5 \text{ mA (3.3 V)}$
Output high voltage on port pins	$V_{OHP}$	CC	$V_{DDP} - 1.0$	-	V	$I_{OH} = -10 \text{ mA (5 V)}$ $I_{OH} = -7 \text{ mA (3.3 V)}$
			$V_{DDP} - 0.4$	-	V	$I_{OH} = -4.5 \text{ mA (5 V)}$ $I_{OH} = -2.5 \text{ mA (3.3 V)}$
Output high voltage on PWM outputs	$V_{OHP1}$	CC	$V_{DDP} - 0.32$	-	V	$I_{OH} = -6 \text{ mA (5 V)}$
			$V_{DDP} - 1.0$	-	V	$I_{OH} = -8 \text{ mA (3.3 V)}$
			$V_{DDP} - 0.4$	-	V	$I_{OH} = -4 \text{ mA (3.3 V)}$
Rise/fall time on PWM outputs <sup>4)</sup>	$t_{HCPR}$ , $t_{HCPF}$	CC	-	9	ns	50 pF @ 5 V
			-	12	ns	50 pF @ 3.3 V
Rise/fall time on standard pad	$t_R$ , $t_F$	CC	-	12	ns	50 pF @ 5 V
			-	15	ns	50 pF @ 3.3 V.
Pin capacitance (digital inputs/outputs)	$C_{IO}$	CC	-	10	pF	
Pull-up/-down resistor on port pins (if enabled in software)	$R_{PUP}$	CC	20	50	kΩ	$V_{IN} = V_{SSP}$

<sup>4</sup> Rise/Fall time parameters are taken with 10% - 90% of supply.

**Electrical characteristics and parameters**

**Table 8 Input/Output Characteristics (Operating Conditions apply) (continued)**

Parameter	Symbol		Limit Values		Unit	Test Conditions
			Min.	Max.		
Input leakage current <sup>5)</sup>	$I_{OZP}$	CC	-1	1	μA	$0 < V_{IN} < V_{DDP}$ , $T_A 105^\circ\text{C}$
Maximum current per pin standard pin	$I_{MP}$	SR	-10	11	mA	-
Maximum current per PWM outputs pins	$I_{MP1A}$	SR	-10	50	mA	-
Maximum current into $V_{DDP}$ / out of $V_{SS}$	$I_{MVDD}$ / $I_{MVSS}$	SR	-	260	mA	

<sup>5)</sup> An additional error current ( $I_{INJ}$ ) will flow if an overload current flows through an adjacent pin.



**Electrical characteristics and parameters**

**4.2.2 Analog to Digital Converter (ADC)**

The following table shows the Analog to Digital Converter (ADC) characteristics. This specification applies to all analog input as given in the pin configuration list.

*Note: These parameters are not subject to production test, but verified by design and/or characterization.*

**Table 9 ADC Characteristics (Operating Conditions apply)<sup>6)</sup>**

Parameter	Symbol	Values			Unit	Note or Test Condition
		Min.	Typ.	Max.		
Supply voltage range	$V_{DD}$ SR	3.0	–	5.5	V	
Analog input voltage range	$V_{AIN}$ SR	$V_{SSP} - 0.05$	–	$V_{DDP} + 0.05$	V	
Conversion time	$t_{C12}$ CC	–	1.0	1.6	μs	
Total capacitance of an analog input	$C_{AINT}$ CC	–	–	10	pF	
Total capacitance of the reference input	$C_{AREFT}$ CC	–	–	10	pF	
Sample time	$t_{sample}$ CC	–	200	–	ns	
RMS noise	$EN_{RMS}$ CC	–	1.5	–	LSB12	
DNL error	$EA_{DNL}$ CC	–	±2.0	–	LSB12	
INL error	$EA_{INL}$ CC	–	±4.0	–	LSB12	
Gain error	$EA_{GAIN}$ CC	–	±0.5	–	%	$V_{DD} = 3.3V$
Offset error	$EA_{OFF}$ CC	–	±8.0	–	mV	

<sup>6)</sup> All parameters are defined for the full supply range if not stated otherwise.

**Electrical characteristics and parameters**

**4.2.3 Power Supply Current**

The total power supply current defined below consists of a leakage and a switching component. Application relevant values are typically lower than those given in the following tables, and depend on the customer's system operating conditions (e.g. thermal connection or used application configurations).

*Note: These parameters are not subject to production test, but verified by design and/or characterization.*

**Table 10 Power Supply parameter table;  $V_{DDP} = 5V$**

Parameter	Symbol	Values			Unit	Note or Test Condition
		Min.	Typ.	Max.		
Active mode current motor control only	$I_{DDPWM}$ CC	–	10	20	mA	
Active mode current motor control plus PFC	$I_{DDPFC}$ CC	–	14	20	mA	IMC102 only
Deep Sleep mode current <sup>7)</sup>	$I_{DDPDS}$ CC	–	0.27	–	mA	
Wake-up time from Sleep to Active mode	$t_{SSA}$ CC	–	6	–	cycles	
Wake-up time from Deep Sleep to Active mode	$t_{DSA}$ CC	–	290	–	µsec	

**4.2.4 Flash Memory Parameters**

*Note: These parameters are not subject to production test, but verified by design and/or characterization.*

**Table 11 Flash Memory Parameters**

Parameter	Symbol	Values			Unit	Note or Test Condition
		Min.	Typ.	Max.		
Data Retention Time	$t_{RET}$ CC	10			years	Max. 100 erase / program cycles
Erase Cycles <sup>8)</sup>	$N_{ECCY}$ CC			$5 \cdot 10^4$	cycles	Sum of page and sector erase cycles
Total Erase Cycles	$N_{TECCY}$ CC			$2 \cdot 10^6$	cycles	

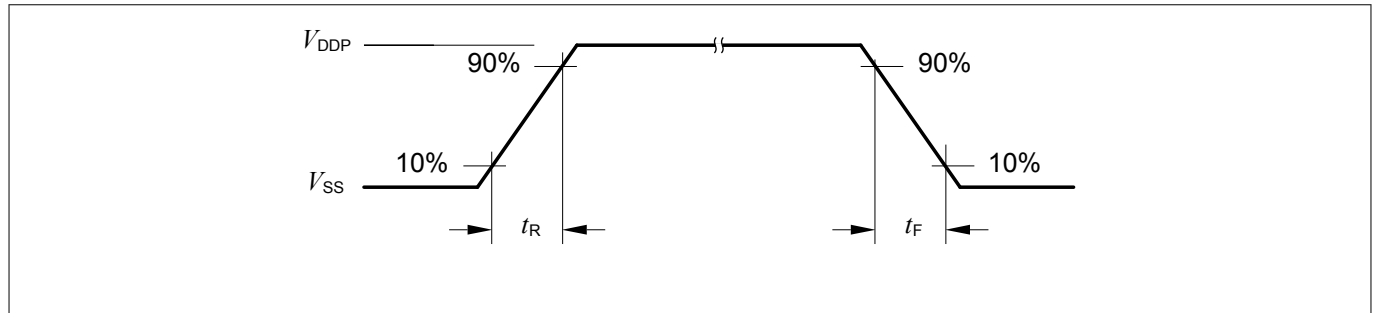
<sup>7</sup> CPU in sleep, peripherals clock disabled, Flash is powered down and code executed from RAM after wake-up.

<sup>8</sup> Sum of page erase and sector erase cycles a page sees.

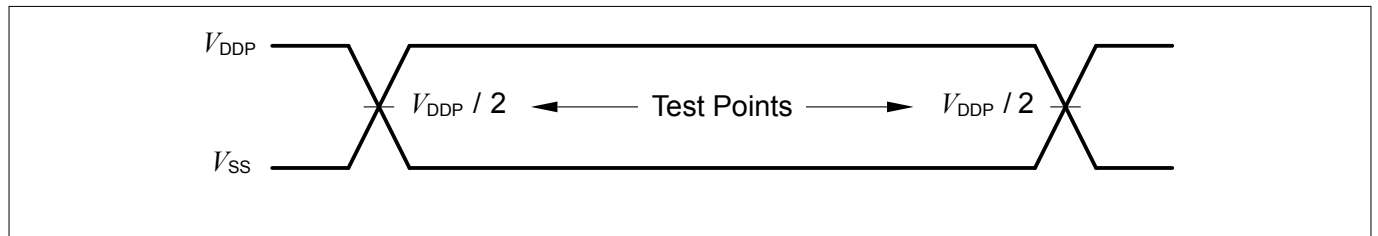
**Electrical characteristics and parameters**

**4.3 AC Parameters**

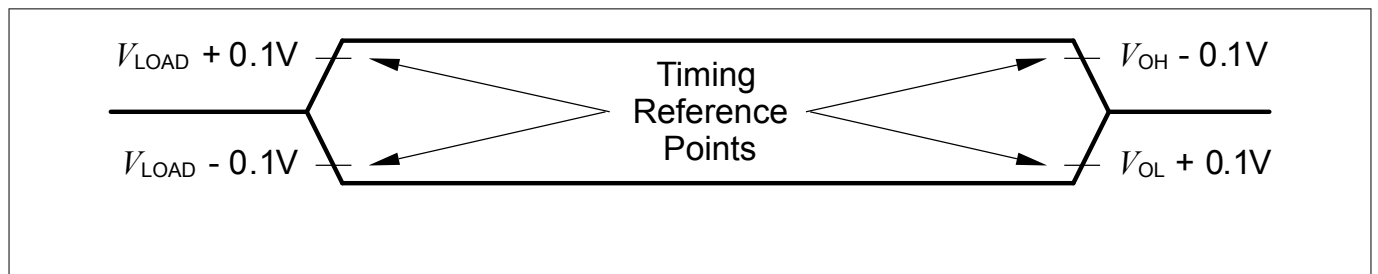
**4.3.1 Testing Waveforms**



**Figure 11 Rise/Fall Time Parameters**



**Figure 12 Testing Waveform, Output Delay**



**Figure 13 Testing Waveform, Output High Impedance**

**Electrical characteristics and parameters**

**4.3.2 Power-Up and Supply Threshold Characteristics**

This chapter provides the characteristics of the supply threshold in IMC100.

The guard band between the lowest valid operating voltage and the brownout reset threshold provides a margin for noise immunity and hysteresis. The electrical parameters may be violated while  $V_{DDP}$  is outside its operating range.

The brownout detection triggers a reset within the defined range. The prewarning detection can be used to trigger an early warning and issue corrective and/or fail-safe actions in case of a critical supply voltage drop.

*Note: These parameters are not subject to production test, but verified by design and/or characterization.*

*Note: Operating Conditions apply.*

**Table 12 Power-Up and Supply Threshold Parameters**

Parameter	Symbol	Values			Unit	Note or Test Condition
		Min.	Typ.	Max.		
$V_{DDP}$ ramp-up time	$t_{RAMPUP}$ SR	$V_{DDP}/S_{VDDPrise}$	–	$10^7$	$\mu s$	
$V_{DDP}$ slew rate	$S_{VDDPOP}$ SR	0	–	0.1	V/ $\mu s$	Slope during normal operation
	$S_{VDDP10}$ SR	0	–	10	V/ $\mu s$	Slope during fast transient within +/-10% of $V_{DDP}$
	$S_{VDDPrise}$ SR	0	–	10	V/ $\mu s$	Slope during power-on or restart after brownout event
	$S_{VDDPfall}$ <sup>9)</sup> SR	0	–	0.25	V/ $\mu s$	Slope during supply falling out of the +/-10% limits <sup>10)</sup>
$V_{DDP}$ prewarning voltage	$V_{DDPPW}$ CC	2.1	2.25	2.4	V	ANAVDEL.VDEL_SELECT = 00 <sub>B</sub>
		2.85	3	3.15	V	ANAVDEL.VDEL_SELECT = 01 <sub>B</sub>
		4.2	4.4	4.6	V	ANAVDEL.VDEL_SELECT = 10 <sub>B</sub>
$V_{DDP}$ brownout reset voltage	$V_{DDPBO}$ CC	1.55	1.62	1.75	V	calibrated, before user code starts running
$V_{DDP}$ voltage to ensure defined pad states	$V_{DDPPA}$ CC	–	1.0	–	V	

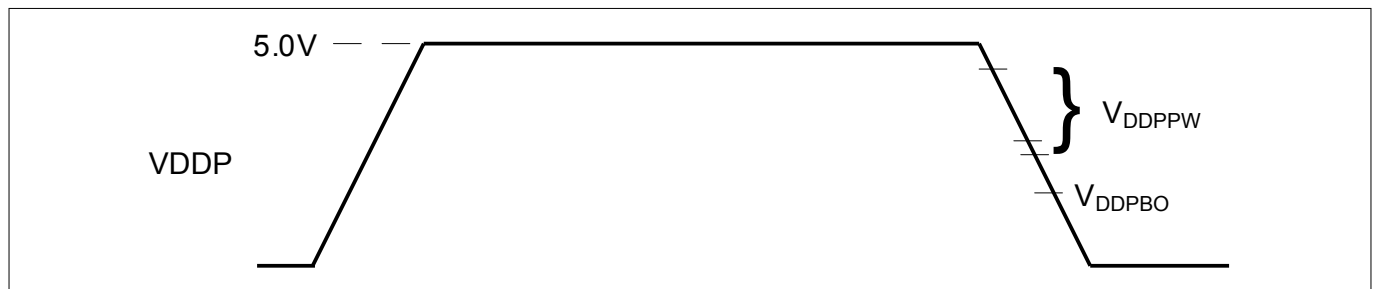
<sup>9</sup> A capacitor of at least 100 nF has to be added between VDDP and VSSP to fulfill the requirement as stated for this parameter.

<sup>10</sup> Valid for a 100 nF buffer capacitor connected to supply pin where current from capacitor is forwarded only to the chip. A larger capacitor value has to be chosen if the power source sink a current.

**Electrical characteristics and parameters**

**Table 12 Power-Up and Supply Threshold Parameters (continued)**

Parameter	Symbol	Values			Unit	Note or Test Condition
		Min.	Typ.	Max.		
Start-up time from power-on reset	$t_{SSW}$ CC	-	260	-	$\mu$ s	Time to the first user code instruction <sup>11)</sup>
Start-up time to PWM on	$t_{PWMON}$ CC	5.2	-	360	ms	Time to PWM enabled



**Figure 14 Supply Threshold Parameters**

<sup>11</sup> This values does not include the ramp-up time. During startup firmware execution, MCLK is running at 48 MHz and the clocks to peripheral as specified in register CGATSTAT0 are gated.

**Electrical characteristics and parameters**

**4.3.3 On-Chip Oscillator Characteristics**

**Table 13** provides the characteristics of the 96 MHz digital controlled oscillator DCO1. The DCO1 is used as the time base during normal operation.

*Note:* These parameters are not subject to production test, but verified by design and/or characterization.

**Table 13 96 MHz DCO1 Characteristics**

Parameter	Symbol	Limit Values			Unit	Test Conditions
		Min.	Typ.	Max.		
Nominal frequency	$f_{\text{NOM CC}}$	95.7	96	96.3	MHz	under nominal conditions <sup>12)</sup> after trimming
Short term frequency deviation (over $V_{\text{DDC}}$ )	$\Delta f_{\text{ST CC}}$	-1	-	1	%	with respect to $f_{\text{NOM}}$ (typ), at 25°C
Accuracy	$\Delta f_{\text{LT CC}}$	-1.7	-	3.4	%	with respect to $f_{\text{NOM}}$ (typ), over temperature (0°C to 85°C)
		-3.9	-	4.0	%	with respect to $f_{\text{NOM}}$ (typ), over temperature (-40°C to 105°C)

**Table 14** provides the characteristics of the 32 kHz digital controlled oscillator DCO2. The DCO2 is only used internally as a secondary clock source for the internal watchdog and as a fallback in case of failure of DCO1.

**Table 14 32 kHz DCO2 Characteristics**

Parameter	Symbol	Limit Values			Unit	Test Conditions
		Min.	Typ.	Max.		
Nominal frequency	$f_{\text{NOM CC}}$	32.5	32.75	33	kHz	under nominal conditions <sup>13)</sup> after trimming
Short term frequency deviation (over $V_{\text{DDC}}$ )	$\Delta f_{\text{ST CC}}$	-1	-	1	%	with respect to $f_{\text{NOM}}$ (typ), at 25°C
Accuracy	$\Delta f_{\text{LT CC}}$	-1.7	-	3.4	%	with respect to $f_{\text{NOM}}$ (typ), over temperature (0°C to 85°C)
		-3.9	-	4.0	%	with respect to $f_{\text{NOM}}$ (typ), over temperature (-40°C to 105°C)

<sup>12)</sup> The deviation is relative to the factory trimmed frequency at nominal  $V_{\text{DDC}}$  and  $T_{\text{A}} = + 25^{\circ}\text{C}$ .

<sup>13)</sup> The deviation is relative to the factory trimmed frequency at nominal  $V_{\text{DDC}}$  and  $T_{\text{A}} = + 25^{\circ}\text{C}$ .

**Electrical characteristics and parameters**

**4.4 Motor Control Parameters**

The following parameters are defined in the iMOTION™ motion control engine (MCE) software.

**4.4.1 PWM Characteristics**

**Table 15 Electrical characteristics**

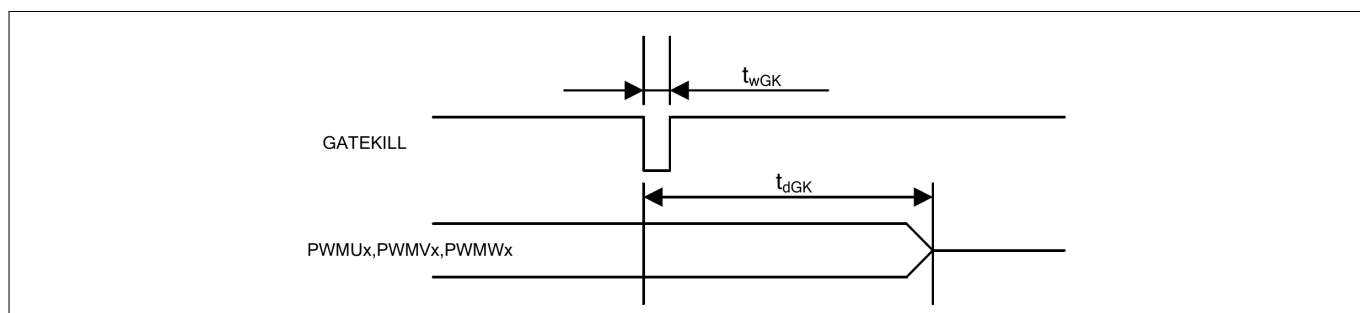
Parameter	Symbol	Values			Unit	Note or test condition
		Min.	Typ.	Max.		
Motor PWM Frequency	$f_{PWM}$	5	16	20	kHz	

**4.4.2 Current Sensing**

**Table 16 Motor Current Sensing**

Parameter	Symbol	Values			Unit	Note or test condition
		Min.	Typ.	Max.		
Input range	$I_{PWM}$	$V_{SS}-0.05$	-	$V_{DD}+0.05$	V	
Configurable analog gain		-	1/ 3/ 6/ 12	-		
Itrip input range	$I_{PWMTRIP}$	$V_{SS}-0.05$	-	$V_{DD}+0.05$	V	
Itrip offset		-	$\pm 8$	-	mV	
Input capacitance	$C_{REF}$	-	-	10	pF	REFU, REFV, REFW capacitor

**4.4.3 Fault Timing**



**Figure 15 Fault timing**

**Table 17 Gatekill timing**

Parameter	Symbol	Values			Unit	Note or test condition
		Min.	Typ.	Max.		
GK pulse width	$t_{wGK}$	1	-	-	$\mu s$	
GK input to PWM shutoff	$t_{dGK}$	-	1.3	-	$\mu s$	

**Electrical characteristics and parameters**

**Table 17 Gatekill timing (continued)**

Parameter	Symbol	Values			Unit	Note or test condition
		Min.	Typ.	Max.		
Motor Fault reset timing	t <sub>RESET</sub>	-	1.84	-	ms	fault reset command via UART to PWM reactivation
Itrip to PWM shutoff	t <sub>PWMOFF</sub>	-	1.0	-	μs	single shunt
Itrip to PWM shutoff	t <sub>PWMOFF</sub>	-	1.0	-	μs	leg shunt



**Electrical characteristics and parameters**

**4.5 Power Factor Correction (PFC) parameters**

The parameters specified for the power factor correction only refer to the IMC102 with integrated PFC control algorithms.

**4.5.1 Boost PFC characteristics**

**Table 18 Electrical characteristics**

Parameter	Symbol	Values			Unit	Note or test condition
		Min.	Typ.	Max.		
PFC frequency	$f_{PFC}$	-	20	50	kHz	Motor PWM frequency within specified range

**4.5.2 Totem Pole PFC characteristics**

**Table 19 Electrical characteristics**

Parameter	Symbol	Values			Unit	Note or test condition
		Min.	Typ.	Max.		
PFC frequency	$f_{PFC}$	-	20	50	kHz	Motor PWM frequency within specified range

**4.5.3 PFC Current Sensing**

The current sensing specification applies to both PFC algorithms, boost mode and totem pole.

**Table 20 PFC Current Sensing**

Parameter	Symbol	Values			Unit	Note or test condition
		Min.	Typ.	Max.		
Input range	$I_{PFC}$	$V_{SS} - 0.05$	-	$V_{DD} + 0.05$	V	$V_{DD} = 3.3$ or $5.0$ V
Configurable analog gain		-	1/ 3/ 6/ 12	-		
PFC Itrip input range	$I_{PFCTRIP}$	$V_{SS} - 0.05$	-	$V_{DD} + 0.05$	V	$V_{DD} = 3.3$ or $5.0$ V
Itrip offset		-	$\pm 3$	-	mV	Input voltage difference > 200mV
Input capacitance	$C_{REF}$	-	-	10	pF	PFCREF capacitor

**Electrical characteristics and parameters**

**4.5.4 PFC Fault Timing**

**Table 21 PFC Fault timing**

Parameter	Symbol	Values			Unit	Note or test condition
		Min.	Typ.	Max.		
Itrip to PFC PWM shutoff	t <sub>PFCOFF</sub>	-	1.18	-	μs	
PFC fault reset timing	t <sub>RESET</sub>	-	1.0	-	ms	fault reset command via UART to PWM reactivation

**Electrical characteristics and parameters**

**4.6 Control Interface Parameters**

The following tables specify the interfaces that can be used to control the motor drive in the application.

**4.6.1 Serial Interface Parameters**

The IMC100 series provides the following communication interfaces.

*Note:* These parameters are not subject to production test, but verified by design and/or characterization.

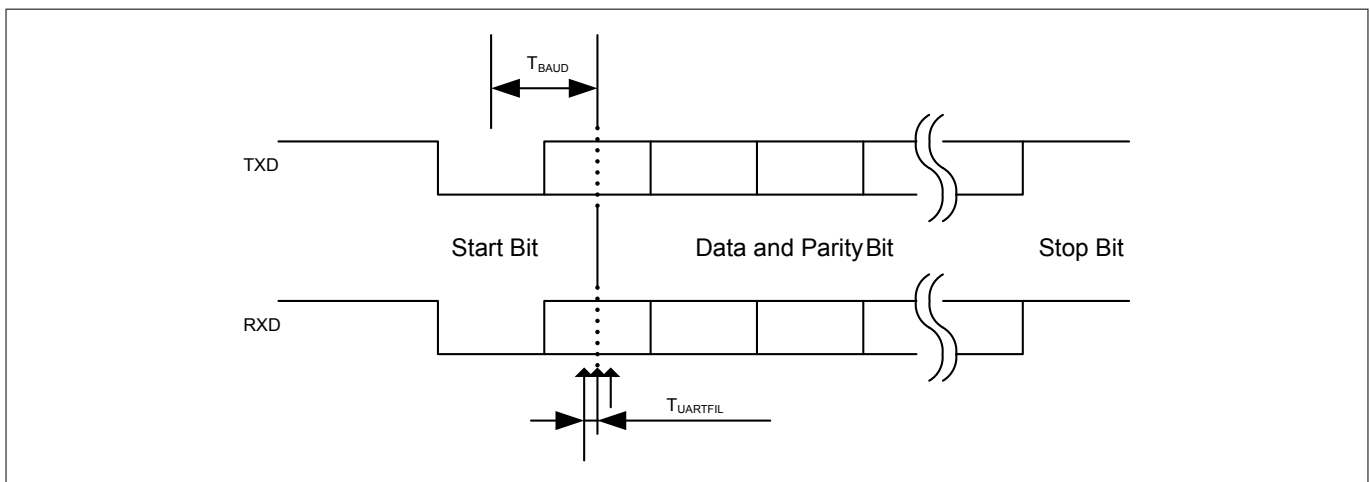
**4.6.1.1 UART Interface**

The UART interface is configured as given below.

*Note:* Operating Conditions apply.

**Table 22 Electrical characteristics**

Parameter	Symbol	Values			Unit	Note or test condition
		Min.	Typ.	Max.		
UART baud rate		1200	57600	-	Bps	
UART mode		-	8-N-1	-		data-parity-stop bit
UART sampling filter period <sup>14)</sup>	$T_{UARTFIL}$	-	1/16	-	$T_{BAUD}$	



**Figure 16 UART timing**

<sup>14)</sup> Each bit including start and stop bit is sampled three times at center of a bit at an interval of  $1/16 T_{BAUD}$ . If three sampled values do not agree, then UART noise error is generated.

Electrical characteristics and parameters

4.6.2 Analog Speed Input

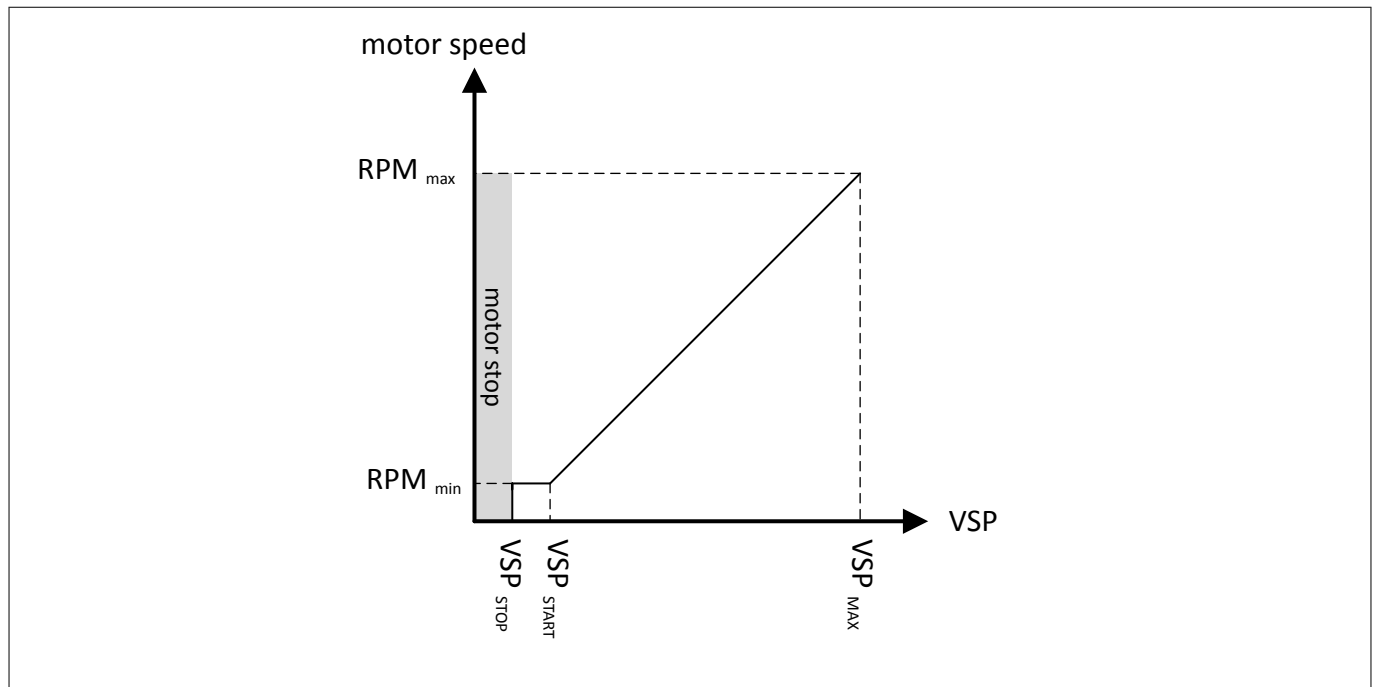


Figure 17 VSP analog control mode

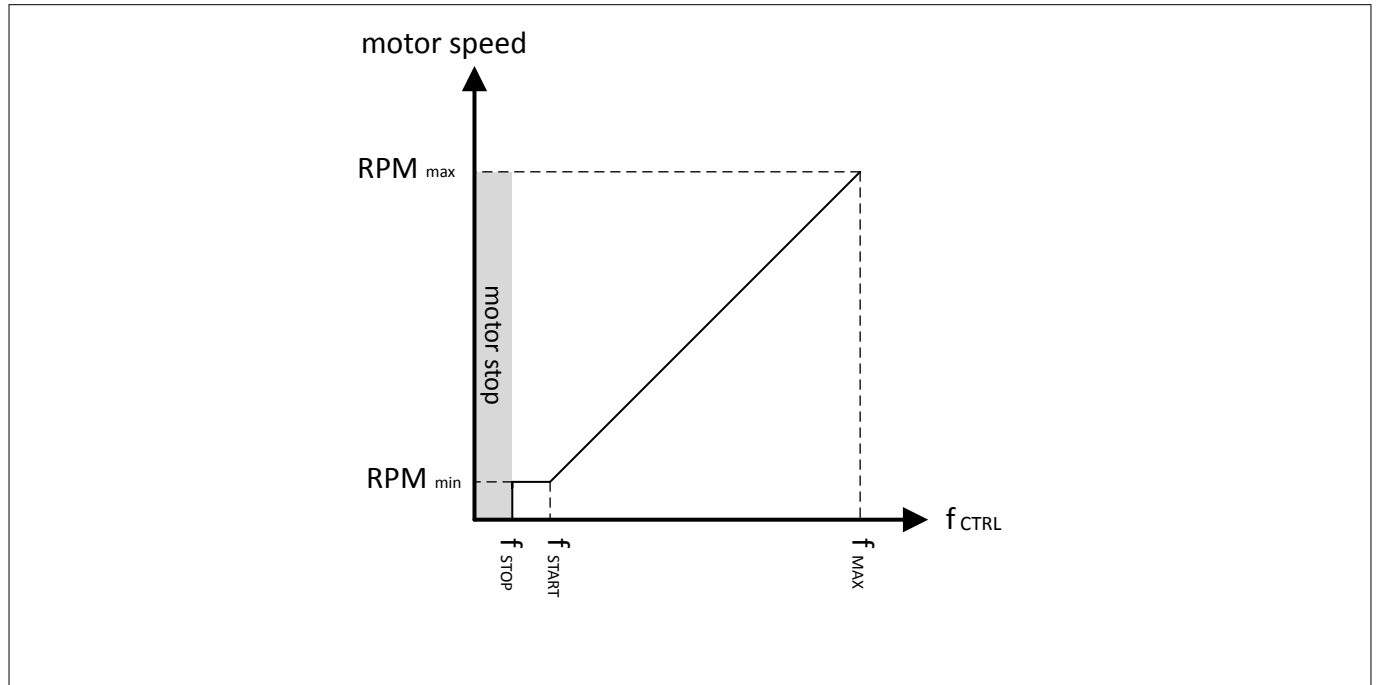
Table 23 Analog Speed Control Voltage (VSP)

Parameter	Symbol	Values			Unit	Note or test condition
		Min.	Typ.	Max.		
Motor start voltage	$VSP_{START}$	-	1.2	-	V	Configured $VSP_{START}=1.0V$
Motor stop voltage	$VSP_{STOP}$	-	1.0	-	V	Configured $VSP_{STOP}=1.0V$
Motor max voltage	$VSP_{MAX}$	-	4.9	4.95	V	$V_{DD}=5.0V$
VSP active to PWM start	$t_{START}$	-	44	-	ms	
VSP inactive to PWM stop	$t_{STOP}$	-	16	-	ms	

**Electrical characteristics and parameters**

**4.6.3 Frequency Input**

In frequency input control mode, the motor operations like motor start, motor stop and speed change are controlled by applying a square wave frequency signal on a digital input pin.



**Figure 18 Frequency input control mode**

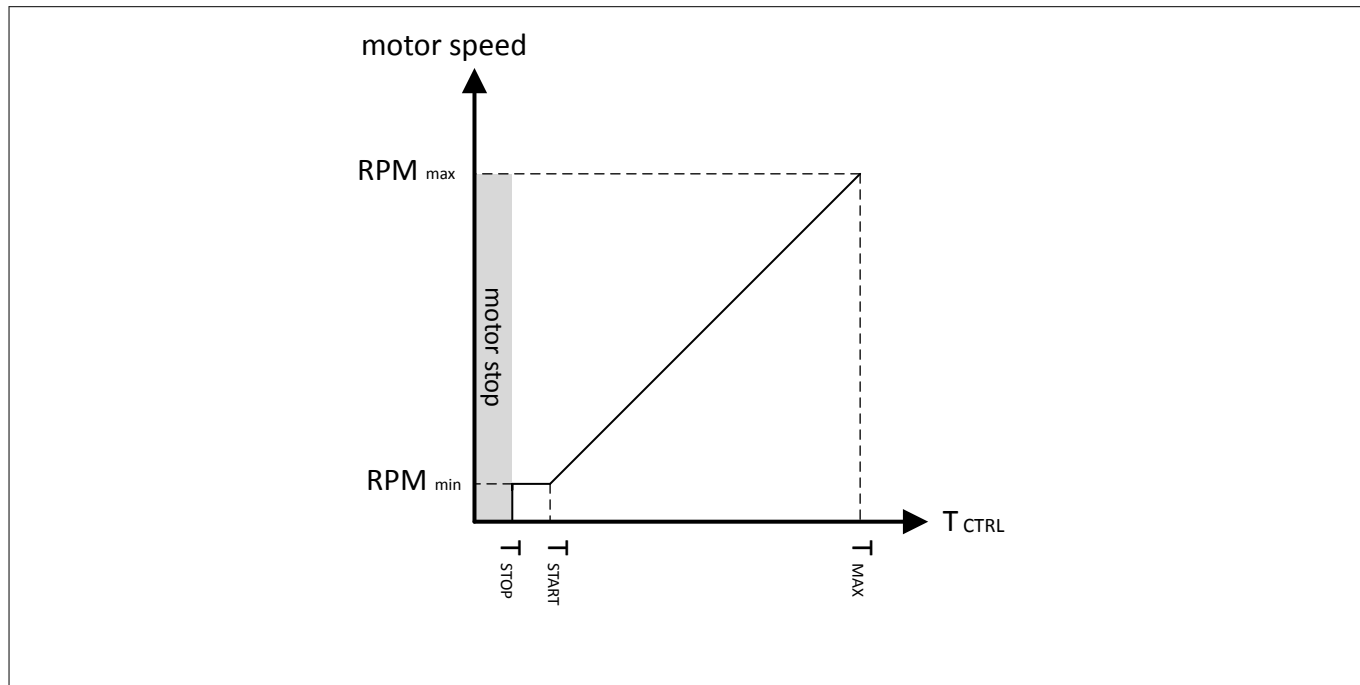
**Table 24 Frequency Control Mode**

Parameter	Symbol	Values			Unit	Note or test condition
		Min.	Typ.	Max.		
Motor start frequency	$f_{START}$	-	100	360	Hz	$f_{START} > f_{STOP}$
Motor stop frequency	$f_{STOP}$	-	50	-	Hz	
Motor max speed frequency	$f_{MAX}$	-	-	1000	Hz	
Frequency input duty cycle	$T_{DUTY}$	10	-	90	%	

**Electrical characteristics and parameters**

**4.6.4 Duty Cycle Input**

In duty cycle input control mode, the motor operations like motor start, stop and speed change are controlled by varying the duty cycle of a rectangular wave signal on a digital input pin.



**Figure 19 Duty cycle input control mode**

**Table 25 Duty Cycle Control Mode**

Parameter	Symbol	Values			Unit	Note or test condition
		Min.	Typ.	Max.		
Input signal frequency	$f_{DUTY}$	5	1000	20000	Hz	
Motor start duty cycle	$T_{START}$	-	10	-	%	$T_{START} > T_{STOP}$
Motor stop duty cycle	$T_{STOP}$	-	5	-	%	
Motor max duty cycle	$T_{MAX}$	-	95	-	%	

**Electrical characteristics and parameters**

**4.6.5 Over Temperature Input**

The over temperature input can be used to continuously monitor an external temperature sensor like an NTC.

**Table 26 Over Temperature Input**

Parameter	Symbol	Values			Unit	Note or test condition
		Min.	Typ.	Max.		
Over Temperature Input Threshold	$V_{OT}$	0.1	1.0	3.0	V	$V_{DD}=3.3V$ , Configurable parameter e.g. via MCEDesigner, default=1.0V
Over Temperature to PWM shutdown	$t_{OT}$		1.0	2.1	ms	

**4.6.6 Pulse Output**

The IMC100 series can generate a square wave pulse output in sync with the motor rotation which can be used to monitor the motor speed. The number of pulses to be generated for a full rotation can be configured.

**Table 27 Pulse Output**

Parameter	Symbol	Values			Unit	Note or test condition
		Min.	Typ.	Max.		
Pulses per Rotation	$PPR$	4	-	24		
Pulse duty cycle	$t_{PPR}$	-	50	-	%	

**4.6.7 LED Output**

The IMC100 series provides an output that can be connected to an LED to give a visual indication of the status of the motor drive.

**Table 28 LED Output**

Parameter	Symbol	Values			Unit	Note or test condition
		Min.	Typ.	Max.		
Fault to LED delay	$t_{LEDFault}$	-	53	-	ms	
Fault reset to LED delay	$t_{LEDRESET}$	-	1.84	-	ms	
LED blinking frequency	$f_{LED}$	1		1000	Hz	
LED blinking duty cycle	$t_{LED}$	5		95	%	

**Electrical characteristics and parameters**

**4.7 Quality Declaration**

**Table 29** shows the characteristics of the quality parameters in the IMC100.

**Table 29 Quality Parameters**

Parameter	Symbol	Limit Values		Unit	Notes
		Min.	Max.		
ESD susceptibility according to Human Body Model (HBM)	$V_{HBM}$ SR	–	2000	V	Conforming to EIA/JESD22-A114-B
ESD susceptibility according to Charged Device Model (CDM) pins	$V_{CDM}$ SR	–	500	V	Conforming to JESD22-C101-C
Moisture sensitivity level	MSL CC	–	3	–	JEDEC J-STD-020C
Soldering temperature	$T_{SDR}$ SR	–	260	°C	Profile according to JEDEC J-STD-020D



Package specification

## 5 Package specification

### 5.1 Package Outlines

All dimensions in mm.

You can find complete information about Infineon packages, packing and marking in our Infineon Internet Page "Packages": [www.infineon.com/packages](http://www.infineon.com/packages)

#### 5.1.1 Package Outline PG-TSSOP-38-9

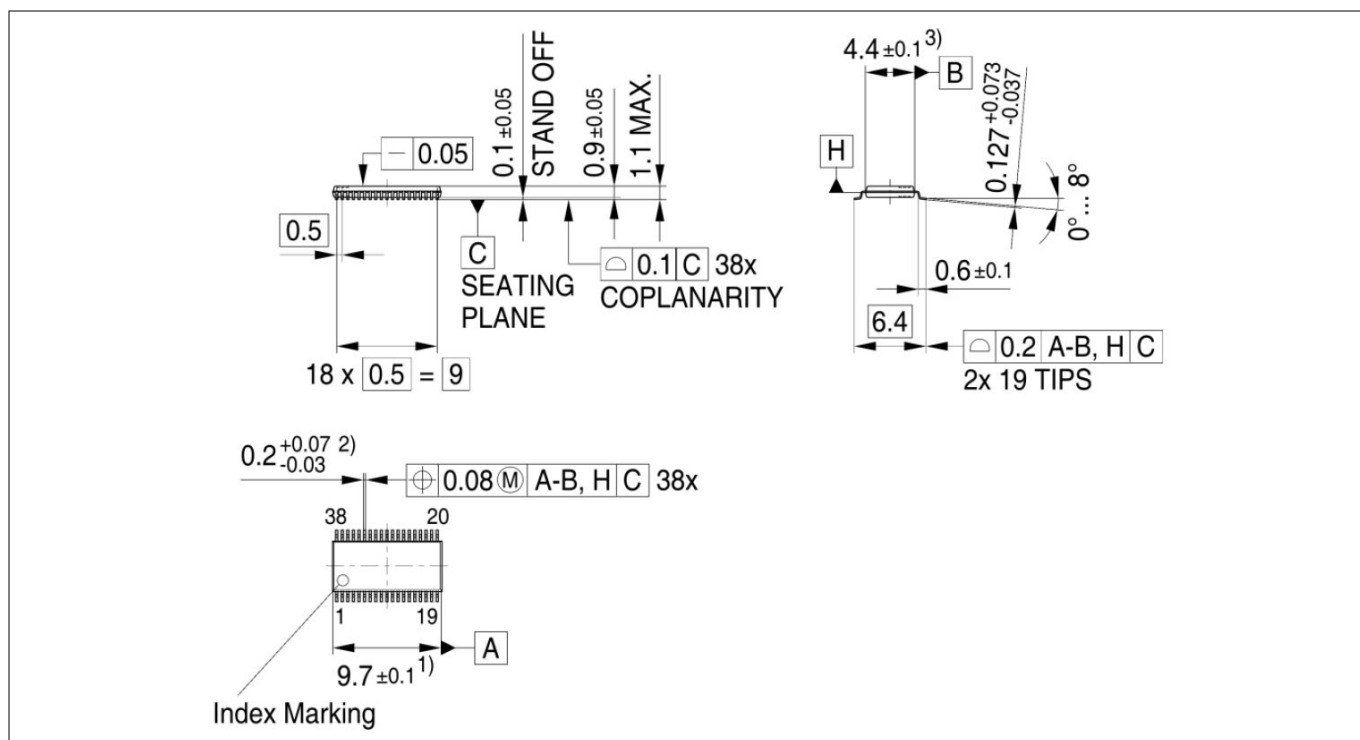
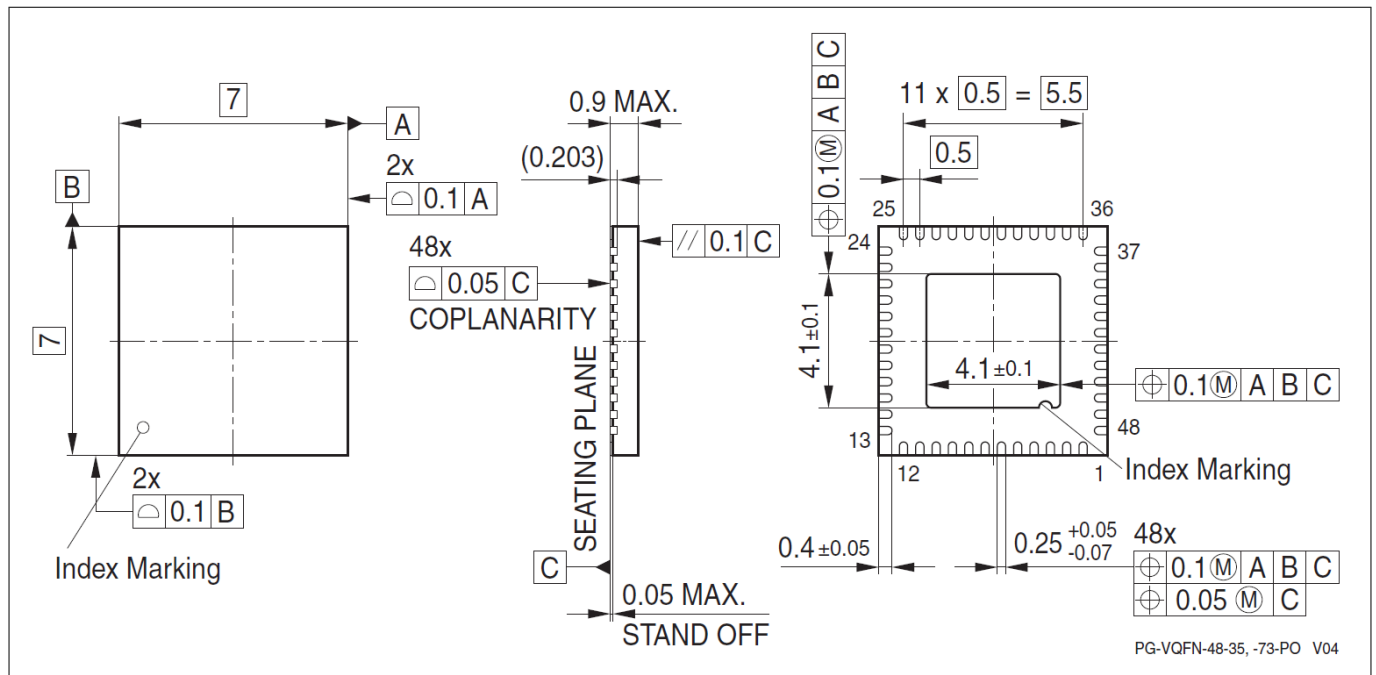


Figure 20 PG-TSSOP-38-9

**Package specification**

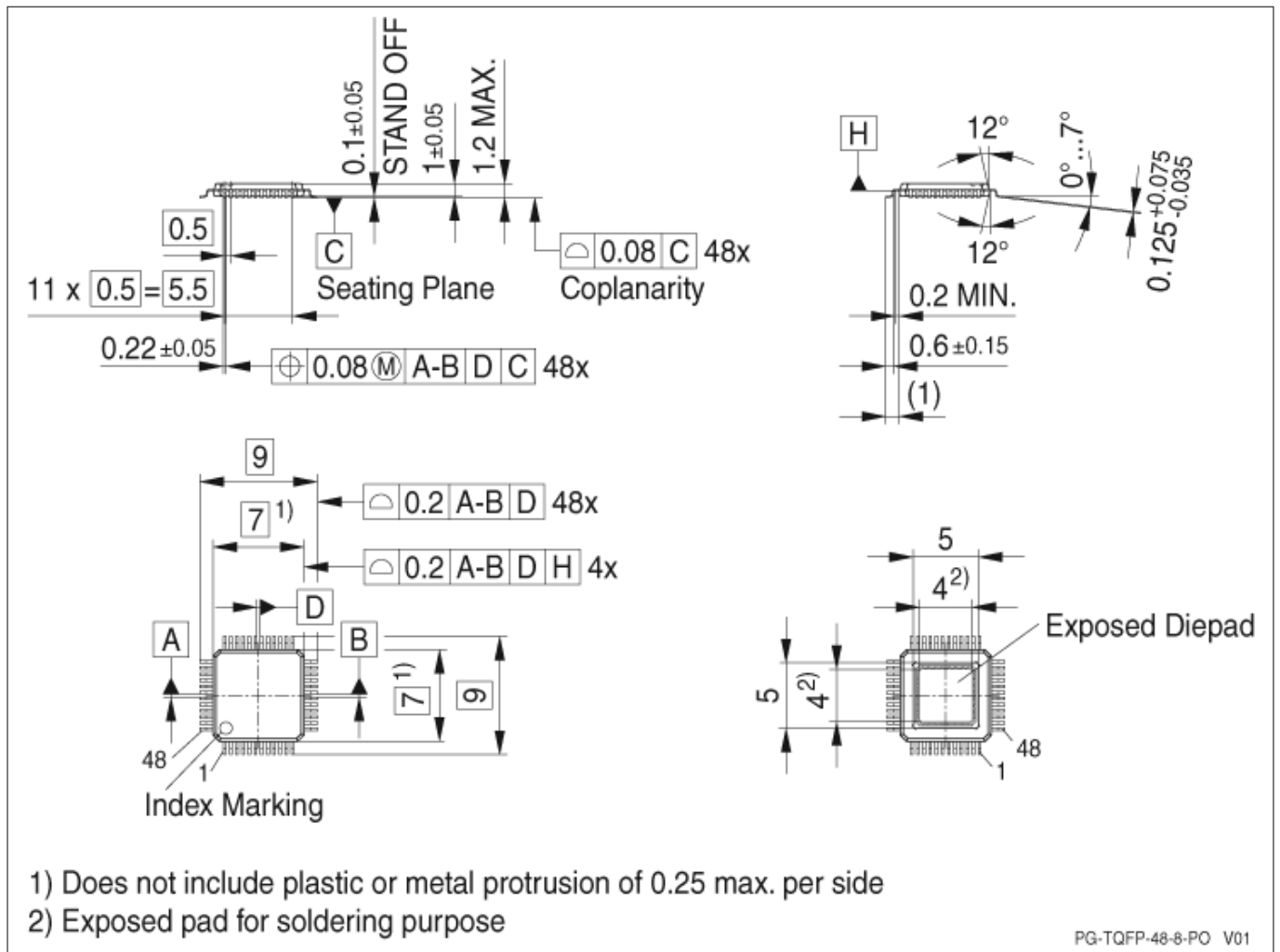
**5.1.2 Package Outline PG-VQFN-48-73**



**Figure 21 PG-VQFN-48-73**

**Package specification**

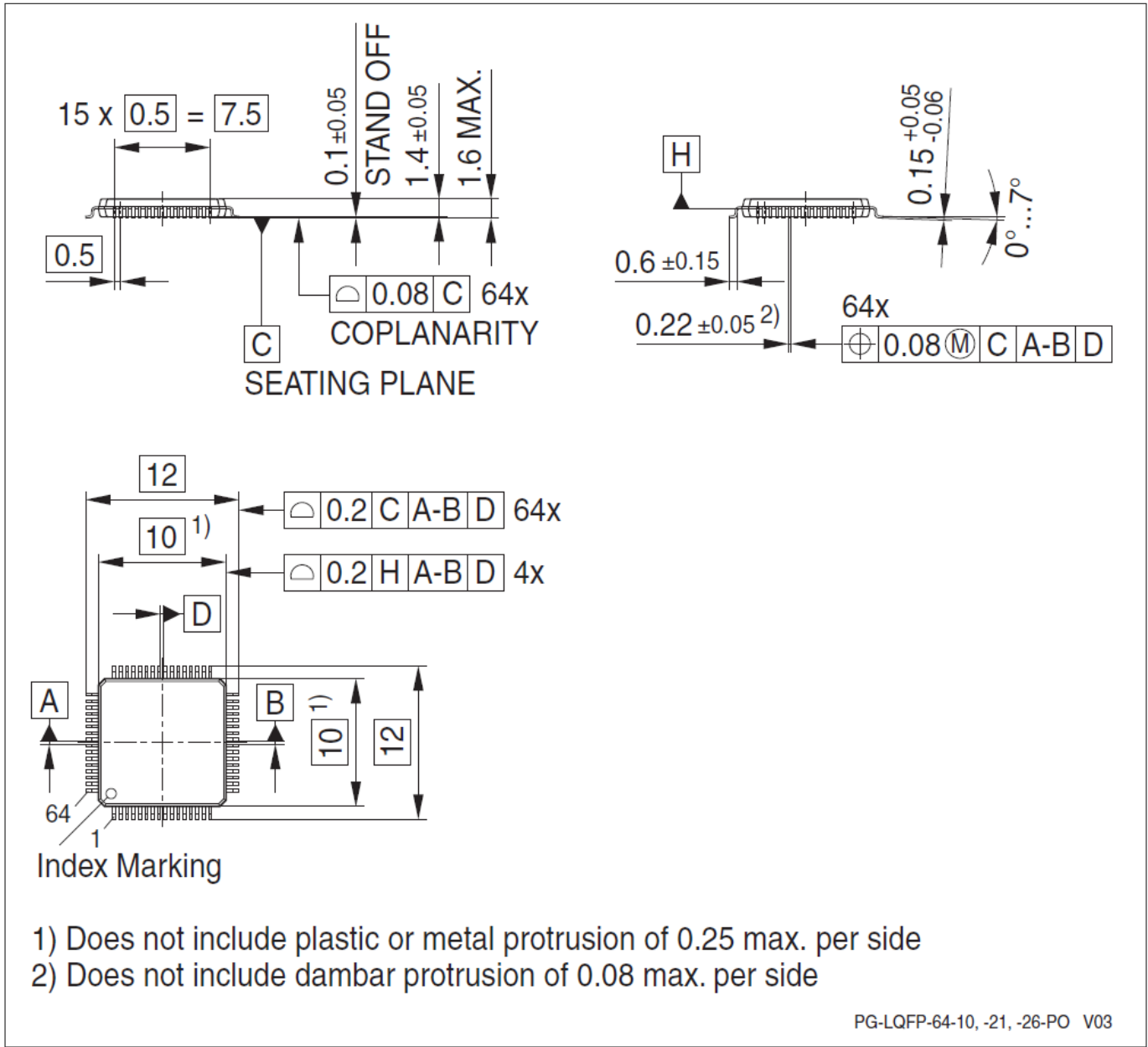
**5.1.3 Package Outline PG-TQFP-48**



**Figure 22 PG-TQFP-48**

**Package specification**

**5.1.4 Package Outline PG-LQFP-64-26**



**Figure 23 PG-LQFP-64-26**

**Package specification**

**5.2 Thermal Considerations**

**Table 30 Thermal Characteristics of the Packages**

Parameter	Symbol	Limit Values		Unit	Package Types
		Min.	Max.		
Exposed Die Pad Dimensions	Ex × Ey CC	-	4.2 × 4.2	mm	PG-VQFN-48-73
Thermal resistance Junction-Ambient <sup>1)</sup>	R <sub>ΘJA</sub> CC	-	86.0	K/W	PG-TSSOP-38-9
		-	44.9	K/W	PG-VQFN-48-73
		-	t.b.d.	K/W	PG-TQFP-48
		-	66.7	K/W	PG-LQFP-64-26

*Note:* For electrical reasons, it is required to connect the exposed pad to the board ground V<sub>SSP</sub>, independent of EMC and thermal requirements.

When operating the IMC100 in a system, the total heat generated in the chip must be dissipated to the ambient environment to prevent overheating and the resulting thermal damage.

The maximum heat that can be dissipated depends on the package and its integration into the target board. The “Thermal resistance R<sub>ΘJA</sub>” quantifies these parameters. The power dissipation must be limited so that the average junction temperature does not exceed 115°C.

The difference between junction temperature and ambient temperature is determined by

$$\Delta T = (P_{INT} + P_{IOSTAT} + P_{IODYN}) \times R_{\Theta JA}$$

The internal power consumption is defined as

$$P_{INT} = V_{DDP} \times I_{DDP} \text{ (switching current and leakage current).}$$

The static external power consumption caused by the output drivers is defined as

$$P_{IOSTAT} = \Sigma((V_{DDP} - V_{OH}) \times I_{OH}) + \Sigma(V_{OL} I_{OL})$$

The dynamic external power consumption caused by the output drivers (P<sub>IODYN</sub>) depends on the capacitive load connected to the respective pins and their switching frequencies.

If the total power dissipation for a given system configuration exceeds the defined limit, countermeasures must be taken to ensure proper system operation:

- Reduce V<sub>DDP</sub>, if possible in the system
- Reduce the system frequency
- Reduce the number of output pins
- Reduce the load on active output drivers

<sup>1</sup> Device mounted on a 4-layer JEDEC board (JESD 51-5); exposed pad of VQFN soldered.

Package specification

5.3 Part marking

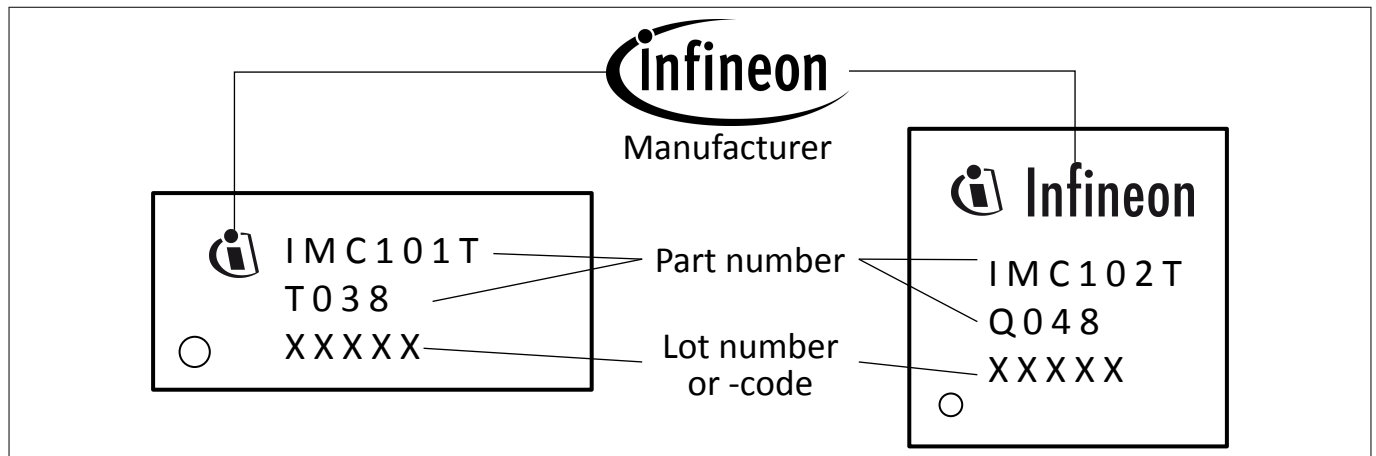


Figure 24 Part marking

---

References

## 6 References

### Revision history

Document version	Date of release	Description of changes
1.0	2018-02-09	<ul style="list-style-type: none"><li>Initial version</li></ul>
1.1	2018-02-20	<ul style="list-style-type: none"><li>corrected RX1, TX1 in QFN-48, QFP-48 and LQFP-64</li></ul>

## Trademarks

All referenced product or service names and trademarks are the property of their respective owners.

**Edition 2018-02-20**

**Published by**  
**Infineon Technologies AG**  
**81726 Munich, Germany**

**© 2018 Infineon Technologies AG**  
**All Rights Reserved.**

**Do you have a question about any**  
**aspect of this document?**  
**Email: [erratum@infineon.com](mailto:erratum@infineon.com)**

**Document reference**  
**IFX-utn1491921304081**

## IMPORTANT NOTICE

The information given in this document shall in no event be regarded as a guarantee of conditions or characteristics ("Beschaffheitsgarantie").

With respect to any examples, hints or any typical values stated herein and/or any information regarding the application of the product, Infineon Technologies hereby disclaims any and all warranties and liabilities of any kind, including without limitation warranties of non-infringement of intellectual property rights of any third party.

In addition, any information given in this document is subject to customer's compliance with its obligations stated in this document and any applicable legal requirements, norms and standards concerning customer's products and any use of the product of Infineon Technologies in customer's applications.

The data contained in this document is exclusively intended for technically trained staff. It is the responsibility of customer's technical departments to evaluate the suitability of the product for the intended application and the completeness of the product information given in this document with respect to such application.

## WARNINGS

Due to technical requirements products may contain dangerous substances. For information on the types in question please contact your nearest Infineon Technologies office.

Except as otherwise explicitly approved by Infineon Technologies in a written document signed by authorized representatives of Infineon Technologies, Infineon Technologies' products may not be used in any applications where a failure of the product or any consequences of the use thereof can reasonably be expected to result in personal injury