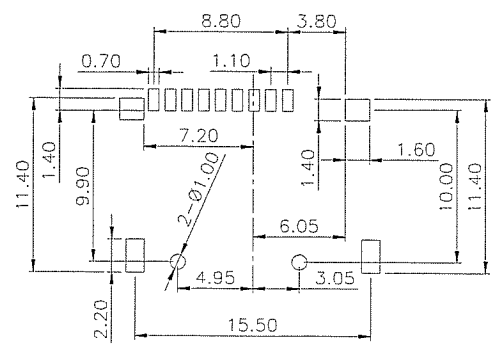
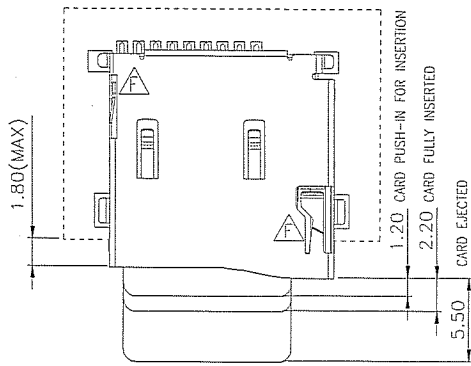
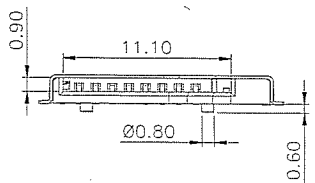
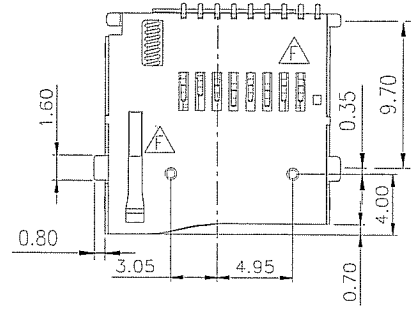
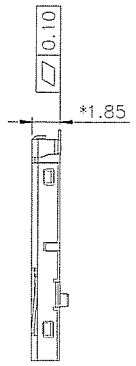
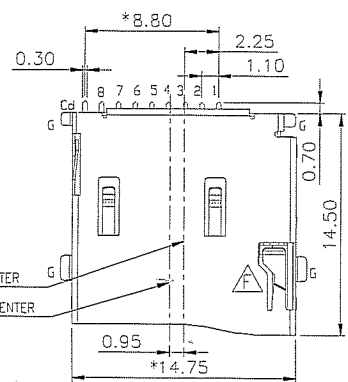


REV	MODIFICATION	DATE	DRAW
D	EN-12-0907	2012/09/12	Chris
E	EN-12-0915	2012/09/25	Chris
F	EN-13-0313	2013/03/27	Stacy



PCB LAYOUT TOP VIEW
(TOLERANCE: ±0.05)



Specification

*Electrical Characteristics:
 Contact Current Rating: 0.5 Amperes.
 Dielectric Withstanding Voltage: AC500V r.m.s.
 Insulation Resistance: 500 MΩ Minimum.
 Contact Resistance: 40 mΩ Maximum.

*Environmental:
 Operating Temperature: -25°C ~ +90°C.

*Environmental:
 Mating Cycles: 5,000 Insertions.

*Mechanical Characteristics:
 Card Push Insertion/Out Force: 1.20kgf Max.

*Material:
 Insulator: HI-Temp Plastic UL 94V-0 Rated.
 Contact: Copper Alloy (t=0.15mm).
 Shell: Stainless Steel (t=0.15mm).
 Spring: SWP.

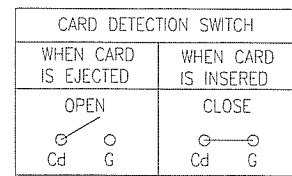
*Ordering Information:
 TFCMF-308 XX BOT X -G

Contact Area Plating:
 01 : Gold Flash.

Package Type :
 1 : Tape Reel



Pin No.	Pin assignment	Pin No.	Pin assignment
1	DAT2	5	CLK
2	CD/DAT3	6	VSS
3	CMD	7	DAT0
4	VDD	8	DAT1
Cd	CARD DETECTION	G	GROUD



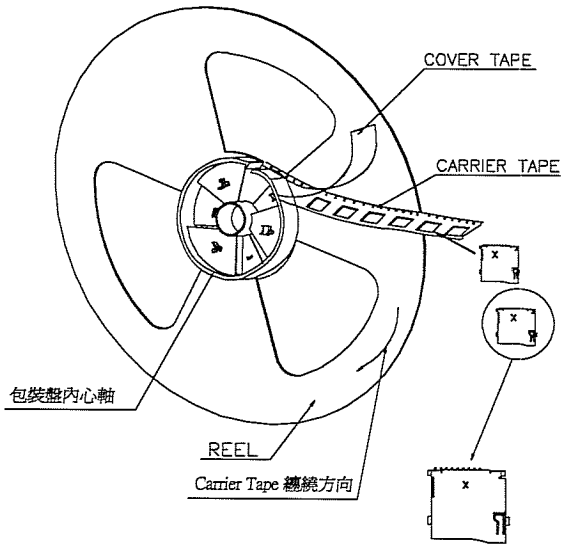
DIMENSION IN mm [Inch]		PROD. SPEC.	KINGFONT PRECISION INDUSTRIAL CO., LTD.	
TOLERANCE UNLESS OTHERWISE SPECIFIED		PKG. SPEC.	TITLE Micro SD Conn. Push Push Type H=1.85mm CUSTOMER DRAWING	
.X±0.30	.X'±10'	APPROVE <i>Chris</i>	FILE NO.	DWG NO. TFCMF-308XXBOTX-G
.XX±0.20	.X'±5'	CHECK <i>Stacy</i>	SIZE A4	PROJ. SHEET 1/2
.XXX±0.05	.XX'±1'	DRAW <i>Stacy</i>	SCALE 2:1	REV F

REV	MODIFICATION	DATE	DRAW
D	EN-12-0907	2012/09/12	Chris
E	EN-12-0915	2012/09/25	Chris
F	EN-13-0313	2013/03/27	Stacy

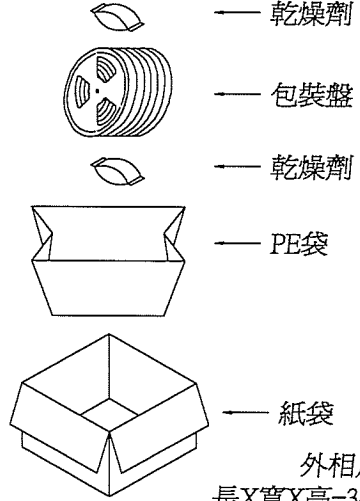
Packing Operation Standard

包裝作業圖示及說明 (PACKING OPERATION DIAGRAM & INSTRUCTION)

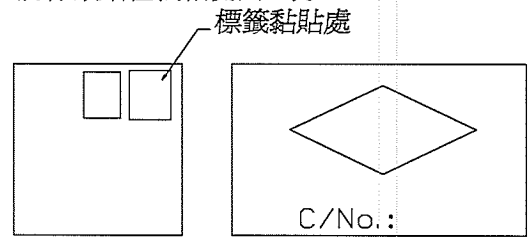
- 一:
- 1) 將半成品——放入包裝盤內 依同一方向放入
 - 2) 包裝時，依圖所示
 - 3) 一個包裝盤放置1000個成品
 - 4) COVER不可蓋住CARRIER TYPE 孔



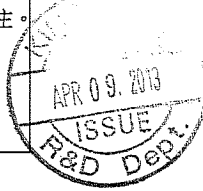
- 二:
- 1) 一個紙箱可放置10個包裝盤。
 - 2) 一個紙箱可放10000個成品
 - 3) Reel放入PE袋內
 - 4) 乾燥劑放入PE袋內，Reel盤上下各一包 (5g)
 - 5) 若有未裝滿之零數盤，須在包裝盤上貼標籤明示。



- 三:
- 1) 用Tape將紙箱封實。
 - 2) 將標籤貼在紙箱側面上方



- 備 註 (REMARK)
- 1) 若有未裝滿之零數箱必須以緩衝材塞滿
 - 2) 包裝盤每盤上貼上小標籤
 - 3) 在搬運過程中輕拿輕放
 - 4) 在運輸過程中不可堆放過多，不可有重壓現象
 - 5) 包裝中有Carrier帶，該卷以零數卷包裝
 - 6) Cover與Carrier Type 不可有自動脫離現象
 - 7) 卷頭至少須留300MM卷尾至少須留200MM以Cover封住。



DIMENSION IN mm [Inch]		PROD. SPEC.	C KINGFONT KINGFONT PRECISION INDUSTRIAL CO., LTD.	
TOLERANCE UNLESS OTHERWISE SPECIFIED		PKG. SPEC.	TITLE Micro SD Conn. Push Push Type H=1.85mm	CUSTOMER DRAWING
.X±0.30	X.'±10'	APPROVE <i>Gomy</i>	FILE NO.	DWG NO. TFCMF-308XXB0TX-G
.XX±0.20	.X'±5'	CHECK <i>Facey</i>	SIZE A4	PROJ. SHEET 2 / 2
.XXX±0.05	.XX'±1'	DRAW <i>[Signature]</i>	SCALE 2:1	REV F