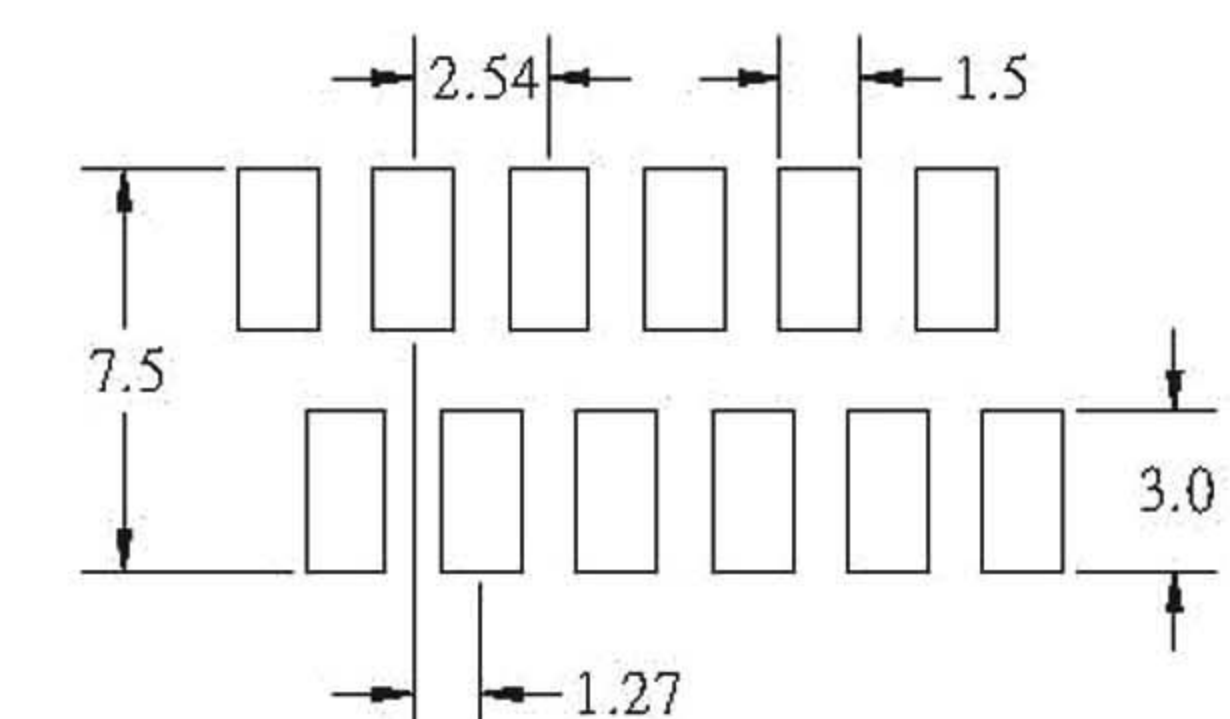
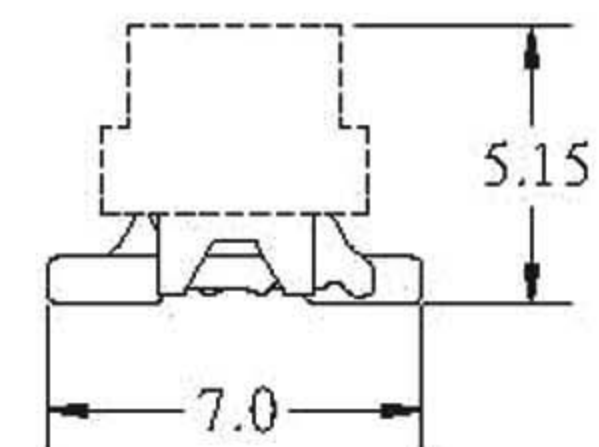
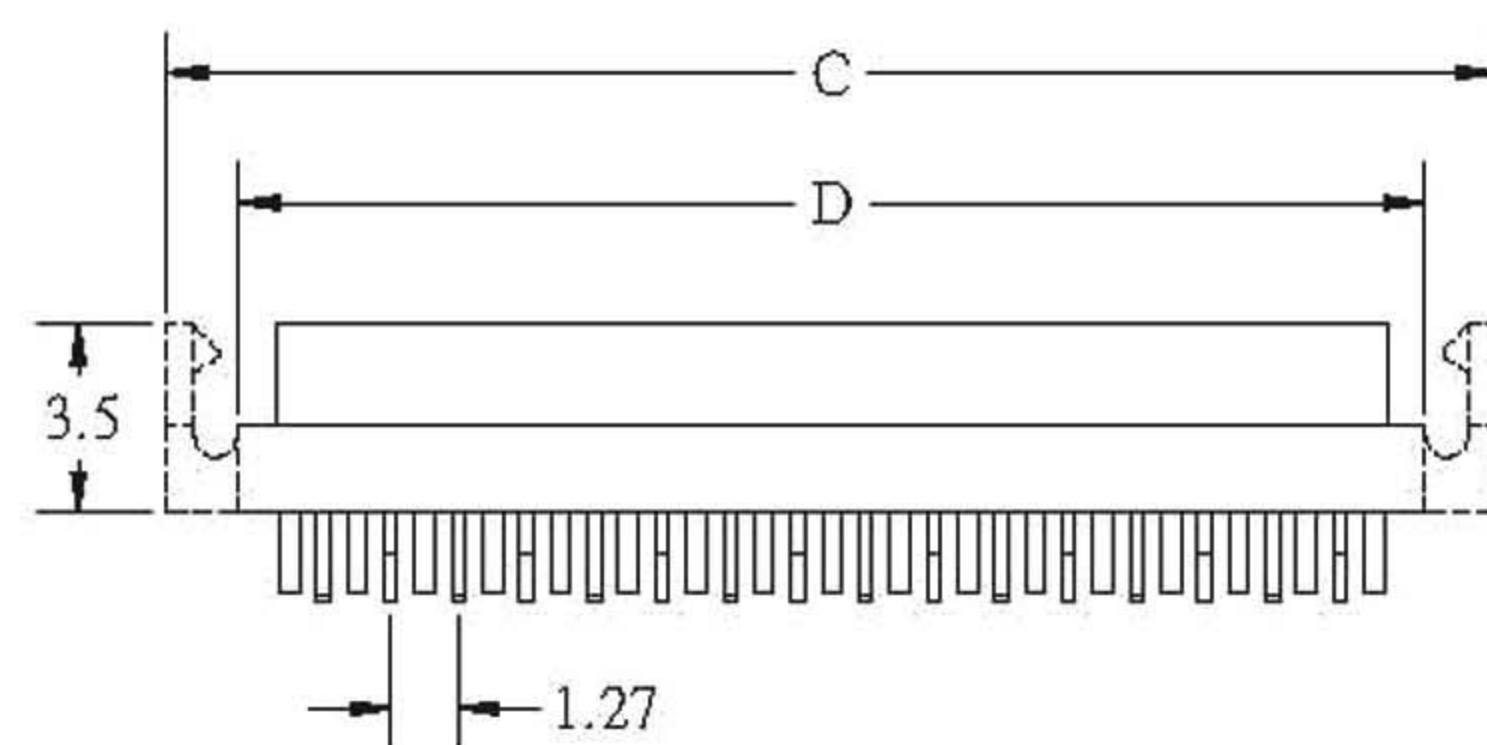


POSITION	A	B	C	D
4	5.59	3.81	9.68	6.98
6	8.13	6.35	12.22	9.52
8	10.67	8.89	14.76	12.06
10	13.21	11.43	17.30	14.60
12	15.75	13.97	19.84	17.14
14	18.29	16.51	22.38	19.68
16	20.83	19.05	24.92	22.22
18	23.37	21.59	27.46	24.76
20	25.91	24.13	30.00	27.30
22	28.45	26.67	32.54	29.84
24	30.99	29.21	35.08	32.38
26	33.53	31.75	37.62	34.92



RECOMMENDED P.C.B LAYOUT

SPECIFICATIONS

Material

Insulator : Nylon 6T, glass reinforced, rated UL 94V-0
 Contact : Phosphor Bronze

Electrical

Current Rating : 1 Amp
 Contact Resistance : 30 mΩ max.
 Insulation Resistance : 3000 MΩ min.
 Dielectric Withstanding Voltage : 500V AC for 1minute
 Operating Temperature : -40°C to +105°C