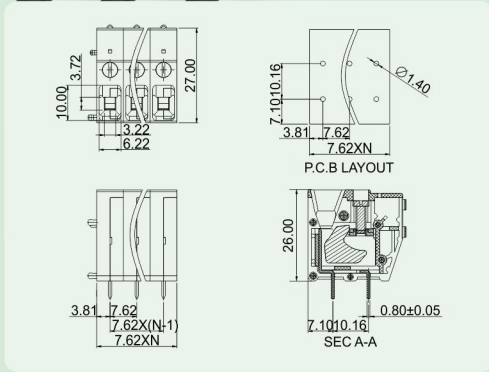
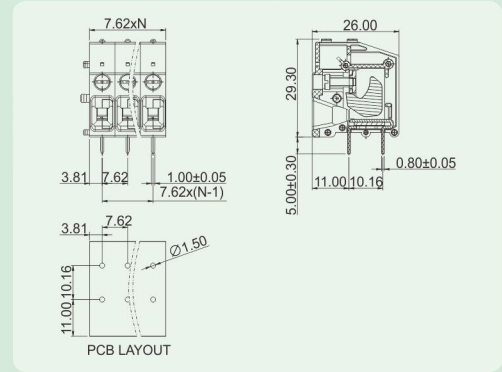


DG107V/R-7.62

- 螺钉连接结构，接线牢固；
- 方向与接线方向在同一平面上；
- 提供180/90度两种进线方式；
- 最大线径：4mm²。
- Fastness connection thanks to the screw locking structure;
- The direction of operation is the same as the wiring connection;
- Available for 90 degrees and 180 degrees wiring connection;
- Max. wire range : 4mm².



DG107V-7.62



DG107R-7.62

技术参数 Technical Data

APPROVAL: CE

| 型号 Model | 线径 Wire range | 线数 Poles | IEC60947技术参数 (IEC60947 datasheet) | | UL1059技术参数 (UL1059 datasheet) | |
|-------------|--------------------------------|-------------|------------------------------------|---------------------|--------------------------------|---------------------|
| | | | 电压(V) Rated voltage | 电流(A) Rated current | 电压(V) Rated voltage | 电流(A) Rated current |
| DG107V-7.62 | 0.5-4mm ² /20-10AWG | 1P-XXP | 630 | 32 | 300 | 30 |
| DG107R-7.62 | 0.5-4mm ² /20-10AWG | 1P-XXP | 630 | 32 | 300 | 30 |

应用行业 Application

工业自动化、电源、电力电气、仪器仪表、安防、照明等行业。
Industrial automation, power supply, electric power, instrument, security, lighting etc.



产品包装方式 Packing

| Product model | Pcs./Pkt. |
|-------------------|-----------|
| DG107V/R-7.62-01P | 50 |
| DG107V/R-7.62-02P | 50 |
| DG107V/R-7.62-03P | 50 |
| DG107V/R-7.62-04P | 50 |
| DG107V/R-7.62-05P | 50 |
| DG107V/R-7.62-06P | 50 |

| Product model | Pcs./Pkt. |
|-------------------|-----------|
| DG107V/R-7.62-07P | 50 |
| DG107V/R-7.62-08P | 50 |
| DG107V/R-7.62-09P | 50 |
| DG107V/R-7.62-10P | 50 |
| DG107V/R-7.62-11P | 50 |
| DG107V/R-7.62-12P | 50 |

型号对照 Cross Reference

| DEGSON | 同行1/ Competitor1 | 同行2/ Competitor2 |
|-------------|------------------|------------------|
| DG107V-7.62 | FRONT 4-V-7.62 | - |
| DG107R-7.62 | FRONT 4-H-7.62 | - |

产品订货 How to order

