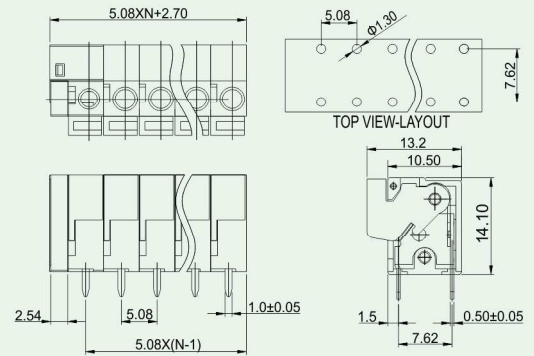


## DG142V-5.08-1000AH

- 盖板与边件采用拼接柱加三面卡点的固定结构；提供更好的盖板保持力；
- 最大线径：2.5mm<sup>2</sup>。
- Between the Cover plate and edge, we adopt the three face sticking point fixed structure, provide better cover plate retaining force;
- Max. wire range : 2.5mm<sup>2</sup> .



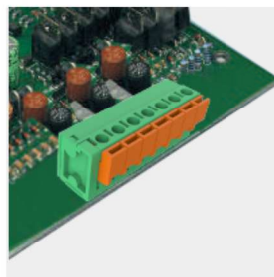
### 技术参数 Technical Data

APPROVAL: CE

型号 Model	线径 Wire range	线数 Poles	IEC60947-7-4技术参数 ( IEC60947-7-4 datasheet)		UL1059技术参数 ( UL1059 datasheet)	
			电压(V) Rated voltage	电流(A) Rated current	电压(V) Rated voltage	电流(A) Rated current
DG142V-5.08	0.2-1.5mm <sup>2</sup> /22-16AWG	01-XXP	250	15	300	10

### 应用行业 Application

工业自动化、仪器仪表、安防等行业。  
 Industrial automation, instrument, security etc.



### 产品包装方式 Packing

Product model	Pcs./Pkt.
DG142V-5.08-02P	250
DG142V-5.08-03P	250
DG142V-5.08-04P	250
DG142V-5.08-05P	250
DG142V-5.08-06P	250
DG142V-5.08-07P	250
DG142V-5.08-08P	250
DG142V-5.08-09P	250
DG142V-5.08-10P	250
DG142V-5.08-11P	250
DG142V-5.08-12P	250

### 型号对照 Cross Reference

DEGSON	同行1/ Competitor1	同行2/ Competitor2
DG142V-5.08	FFKDSV1-5.08	142V

### 产品订货 How to order

