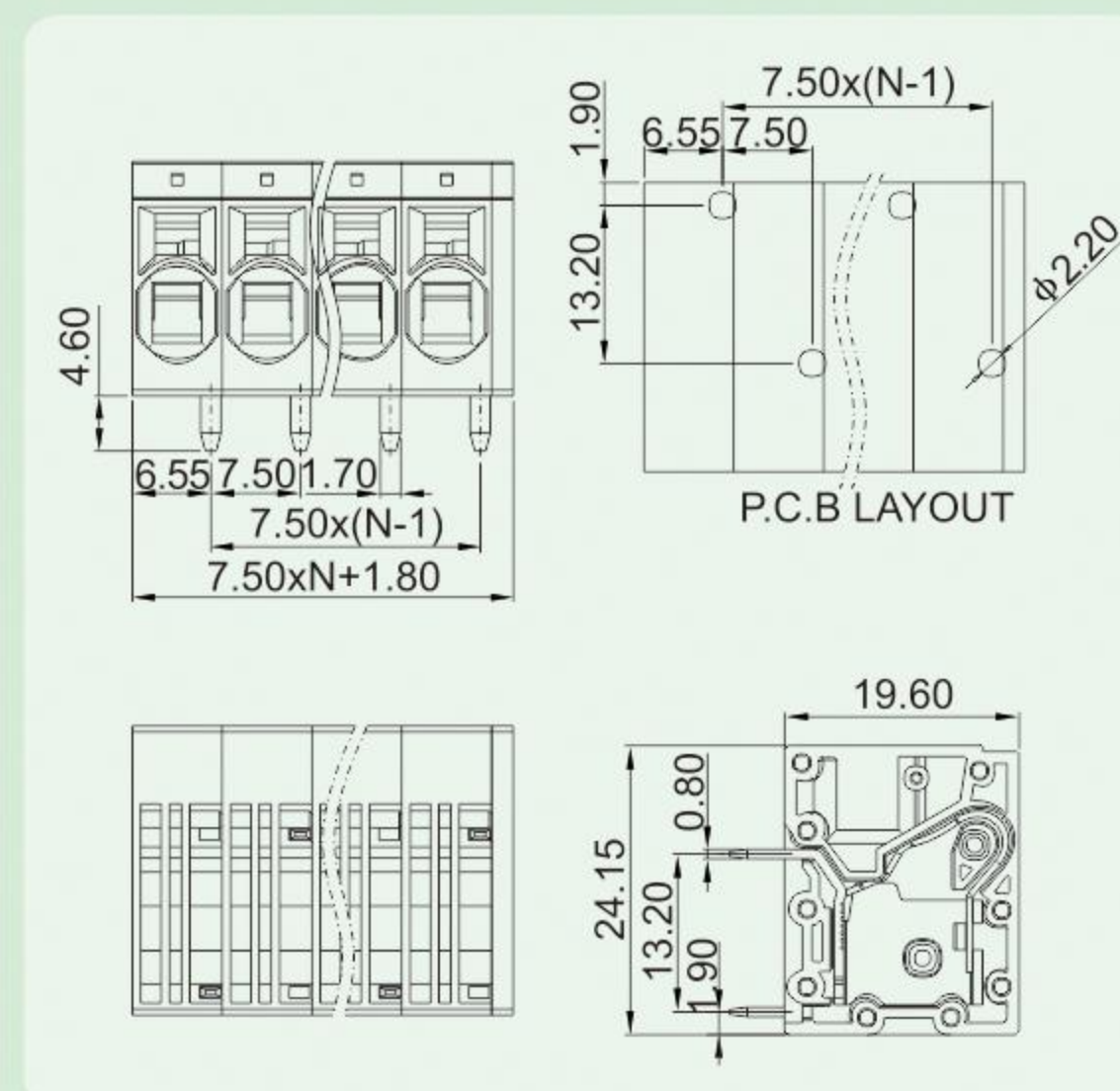


DG271V-7.5

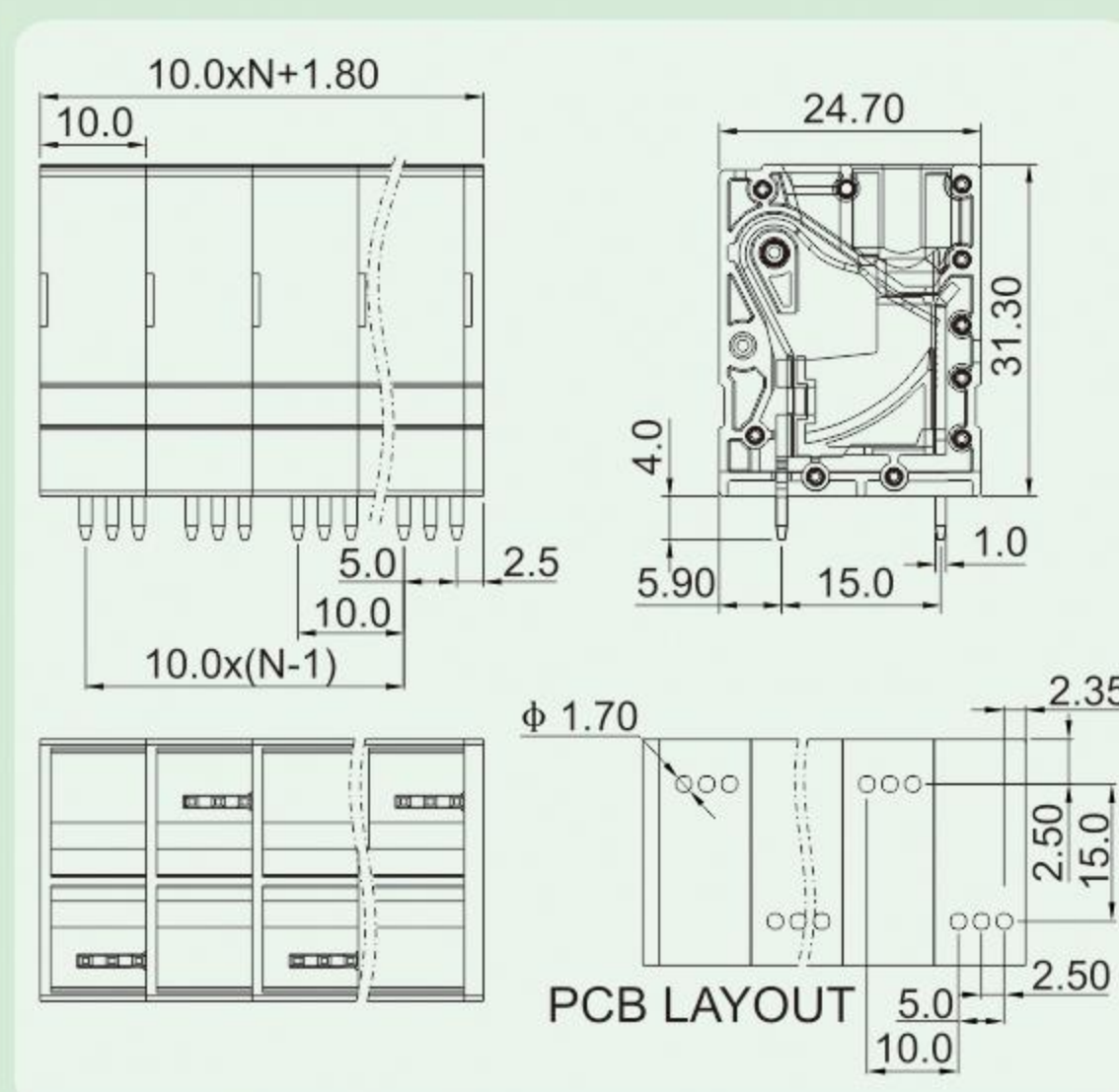


DG271R-7.5

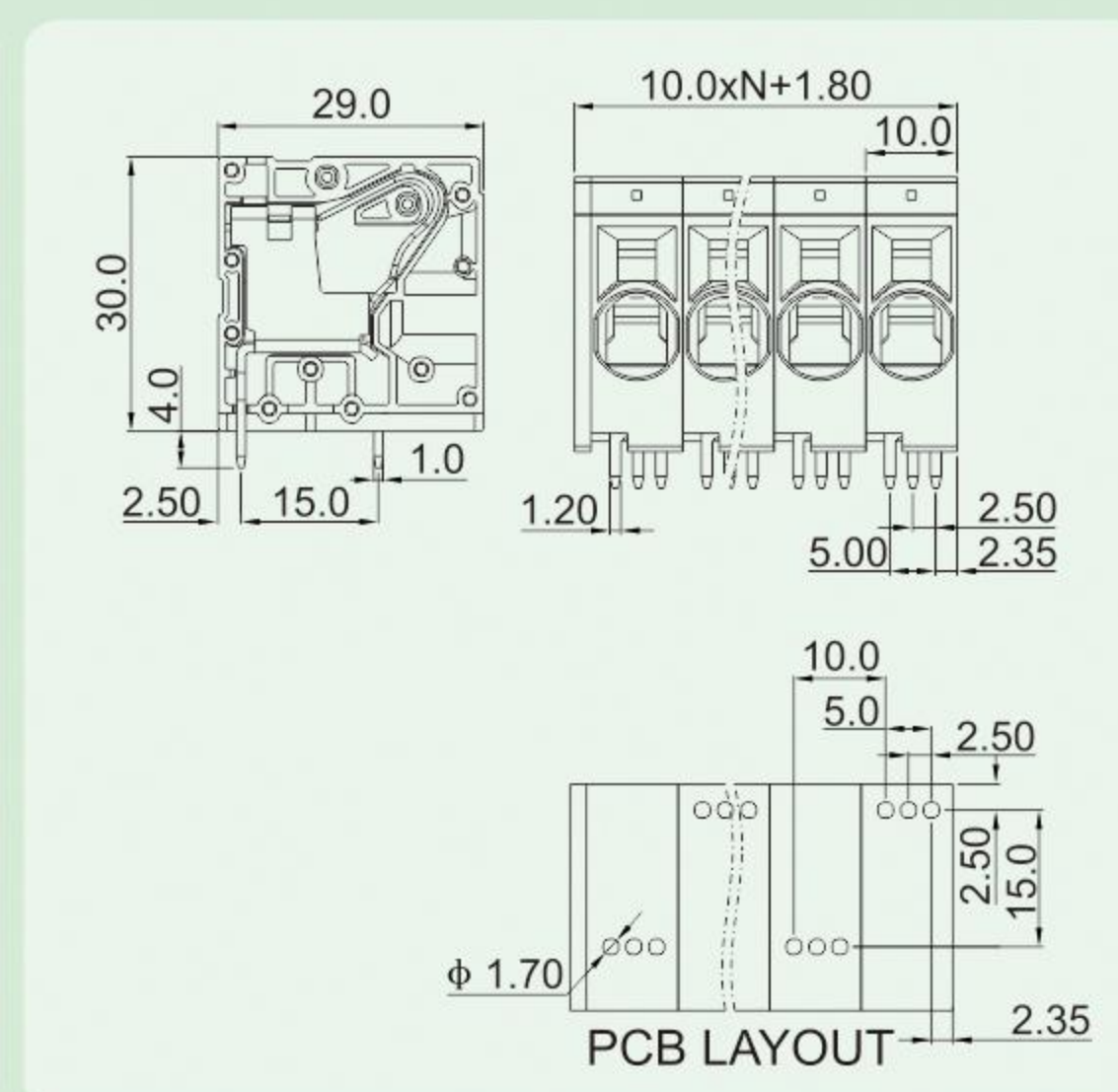
**DG271** APPROVAL: 

大电流PUSH-IN弹簧式PCB接线端子  
 HIGH CURRENT PUSH-IN SPRING CAGE TERMINAL BLOCK

- PUSH-IN弹簧接线，免工具，接线更快捷
- 线径：0.2-6mm<sup>2</sup>/0.5-16mm<sup>2</sup>
- 接线方式：90度，180度进线角度可选择
- 专利技术产品 专利号：201120208772.6
- Push-in spring cage technology, tool free, fast connection
- Wire range: 0.2-6mm<sup>2</sup>/0.5-16mm<sup>2</sup>
- Wiring direction: 90°, 180° wiring angle is optional.
- Patented product patent No.: 201120208772.6



DG271V-10.0



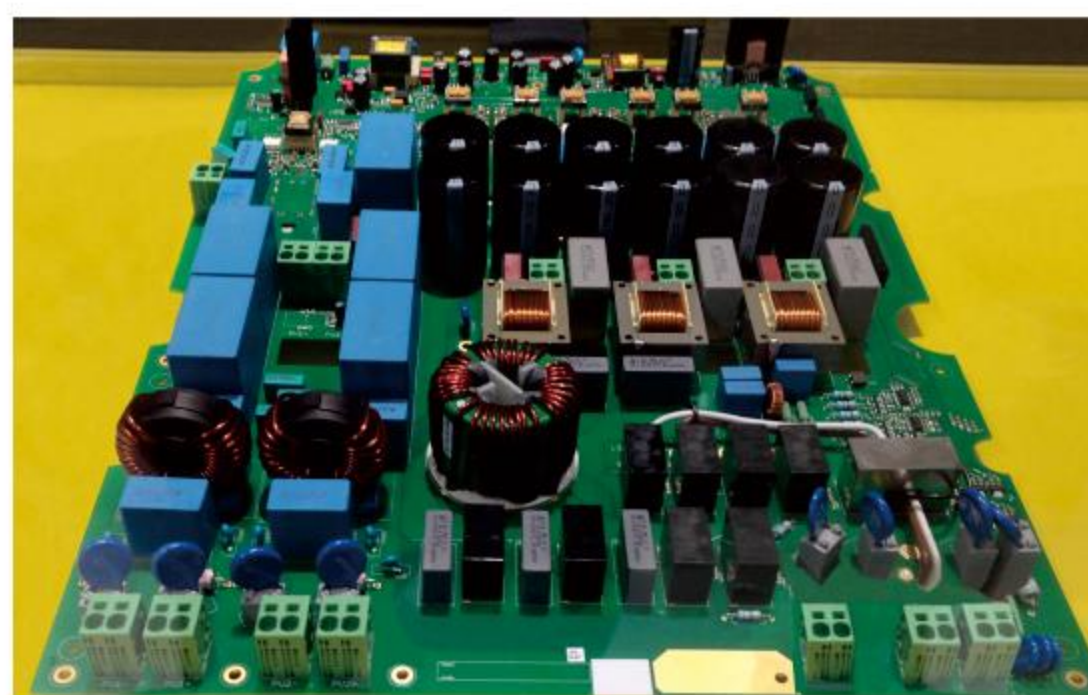
DG271R-10.0

技术参数 Technical Data

型号 Model	线径 Wire range	线数 Poles	IEC技术参数 (datasheet)		UL技术参数 (datasheet)	
			电压(V) Rated voltage	电流(A) Rated current	电压(V) Rated voltage	电流(A) Rated current
DG271V/R-7.5	0.2-6mm <sup>2</sup> /24-8AWG	01P	450V	41A	300V	40A
DG271V/R-7.5-DA	0.2-6mm <sup>2</sup> /24-8AWG	02-XXP	1000V	41A	600V	40A
DG271V/R-10.0	0.75-16mm <sup>2</sup> /24-4AWG	01P	450V	76A	300V	70A
DG271V/R-10.0-DA	0.75-16mm <sup>2</sup> /24-4AWG	02-XXP	1000V	76A	600V	70A

应用行业 Application

光伏逆变器、工业自动化等行业  
 PV inverter, industrial automation etc.



产品包装方式 Packing

Product model	Pcs./Pkt.	Product model	Pcs./Pkt.
DG271V/R-7.5-01P	600	DG271V/R-10.0-01P	450
DG271V/R-7.5-02P	450	DG271V/R-10.0-02P	390
DG271V/R-7.5-03P	375	DG271V/R-10.0-03P	325
DG271V/R-7.5-04P	300	DG271V/R-10.0-04P	270
DG271V/R-7.5-05P	250	DG271V/R-10.0-05P	200
DG271V/R-7.5-06P	200	DG271V/R-10.0-06P	150
DG271V/R-7.5-07P	175	DG271V/R-10.0-07P	100
DG271V/R-7.5-08P	135	DG271V/R-10.0-08P	85
DG271V/R-7.5-09P	100	DG271V/R-10.0-09P	85
DG271V/R-7.5-10P	100	DG271V/R-10.0-10P	60
DG271V/R-7.5-11P	80	DG271V/R-10.0-11P	60
DG271V/R-7.5-12P	60	DG271V/R-10.0-12P	60

产品订货 How to order

