

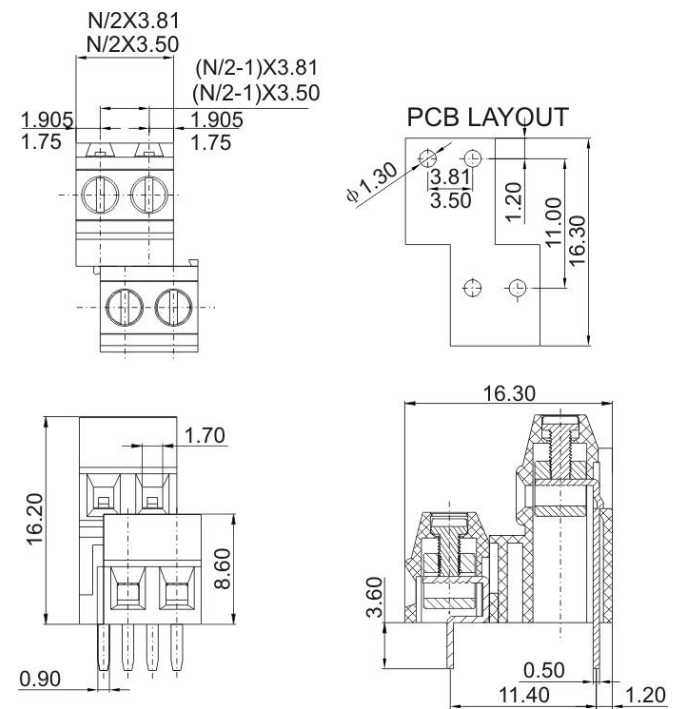


APPROVAL		
Electrical		
Standard	UL	IEC
Rated voltage	300V	130V
Rated current	12A	10A
Wire range	26-16AWG	0.2-1.0mm ²
Withstanding voltage	AC1250V/1Min	

Mechanical	
Torque	0.2Nm(1.7Lb-In)
Ambient temperature	-40 ~+105
Strip length	5mm
Dimensions	
pitch	3.5mm(.138") 3.81mm(.150")
Poles	2*(2P,3P-24P)

Material	
Housing	PA66,UL94V-0
Screws	M2,Steel, Cr ³⁺ Znplated
Pin header	Phosphor bronze,Tin-plated
Cage	Brass,Ni-plated



HOW TO ORDER :

