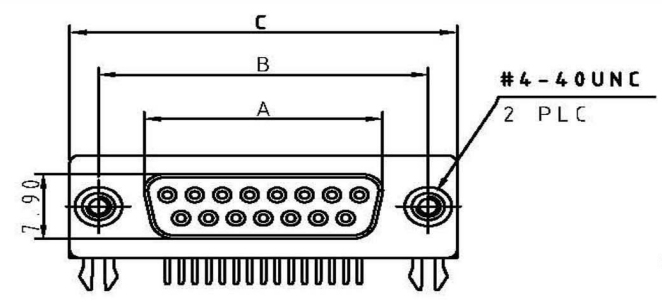


1 2 3 4 5 6 7 8

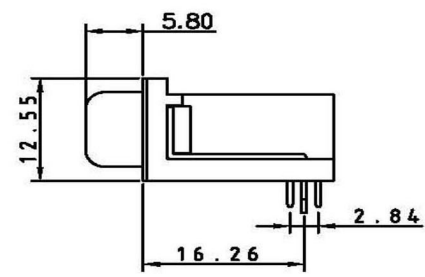
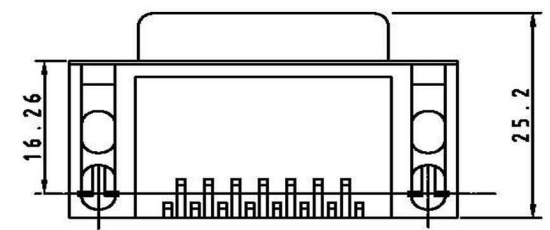
A
B
C
D
E
F
G
H



C0552-XXFBAXXBR

Note

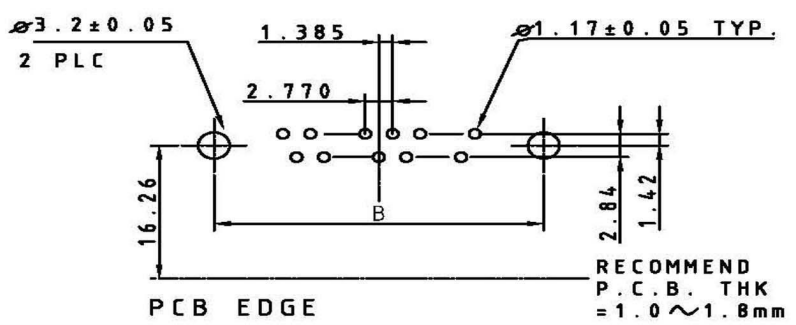
No.	A	B	C
09	16.33	24.99	30.81
15	24.66	33.32	39.14
25	38.38	47.04	53.04
37	54.83	63.50	69.32



ELECTRICAL CHARACTERISTICS
 Contact Current Rating: 3Amperes.
 Dielectric Withstanding Voltage: AC 500V/60sec. r.m.s.
 Insulation Resistance: 1000Megohms Minimum at DC 500V.
 Contact Resistance: 25 Milliohms Maximum.
 Operating Temperature: -55°C to +105°C

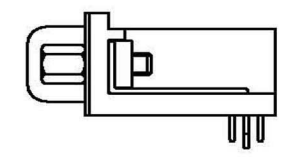
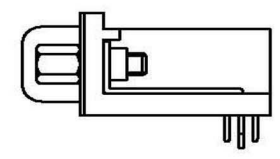
MATERIALS

Contact: Copper Alloy.
 Insulator: PA9T.
 Shell: SPCC.
 Z-Piece: Copper Alloy. (or Fe)
 Screw: Copper Alloy.
 Rivits: Fe. & Copper Alloy.



C0552-XXFACXXBR

C0552-XXFBCXXBR



RoHS Compliant		HSM 玄茂科技股份有限公司 HSUAN MAO TECHNOLOGY CO., LTD.	
APPD. 核准 A-mei		TOLERANCE 容許公差 .0 ±0.3 .00 ±0.25 ANG. ± 2°	PART NAME 品名 D-SUB PCB RIGHT ANGLE 13.84mm STAMPED PIN XFP FEMALE FIX BOARDLOCK
DWG. 製圖 Yumi	SCALE 比例 參考	UNIT 單位 MM	PART NO. 料號 C0552-XXFXXXXBR
DATE 制表日 2007/06/22	PAGE 張數 1 OF 1	REV. 版本 A	

1 2 3 4 5 6 7 8