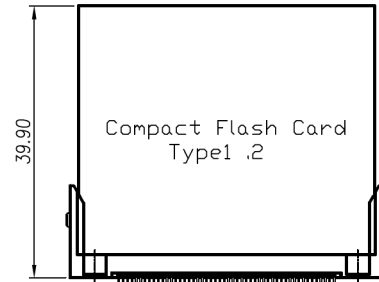


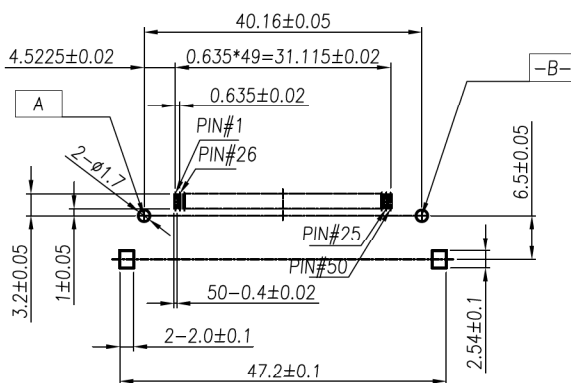
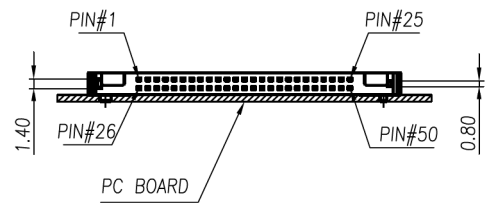
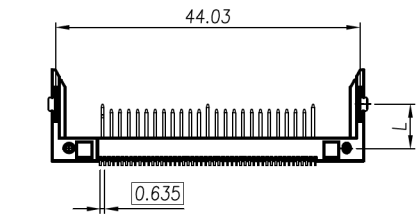
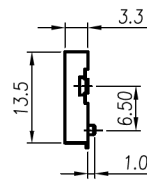
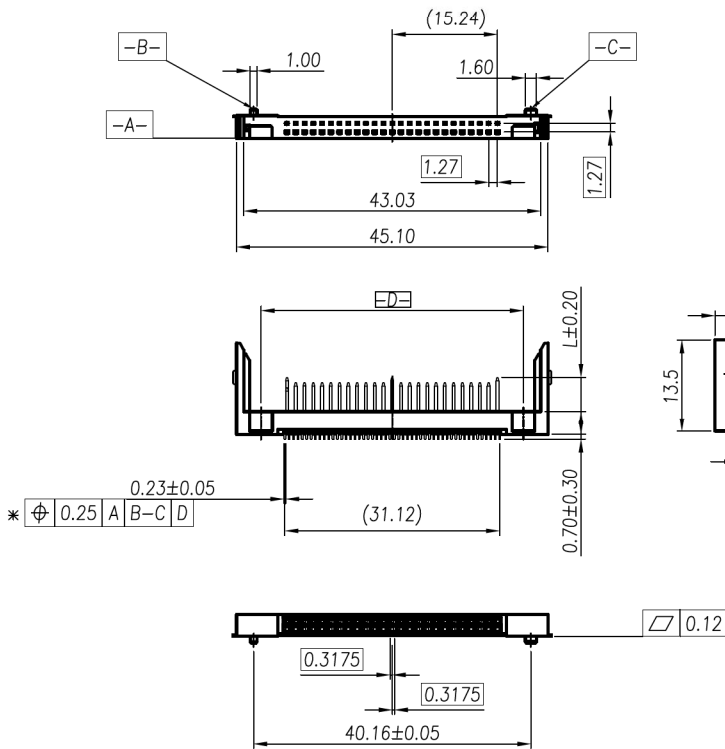
Part No:

CFCMD-75T15B000



CARD INSERTION

Pin Type	DIM L	Pin Type
Detect	3.5 mm	25,26
General	4.25 mm	All Other Pins
Power	5.0 mm	1,13,38,50



P.C.B Layout

Specification:

- Insulation Resistance: 1000MΩ min
- Rated voltage: 100V AC
- Current Rating: 0.5A AC/DC max
- Contact Resistance: 40mΩ max
- Operating Temperature : -40°C~+85°C
- Insertion Cycles: 10000 Times
- Dielectric Strength: 500VAC/1min

Application:

For Compact Flash Card Use Only

Material And Finish:

- Contact Area Gold Plating
- Contact: Copper Alloy
- Housing: High Temperature Plastic(UL94V-0)