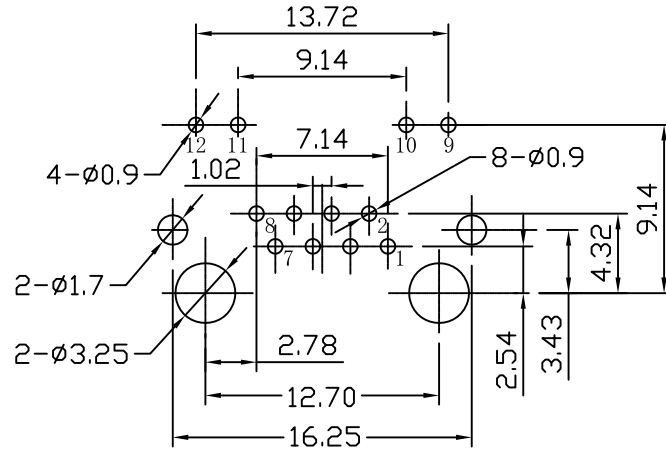
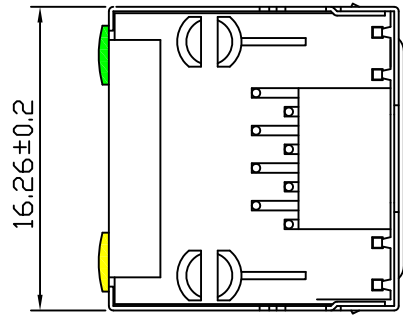
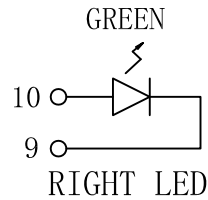
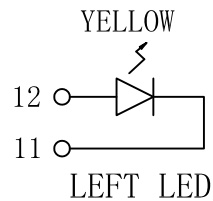
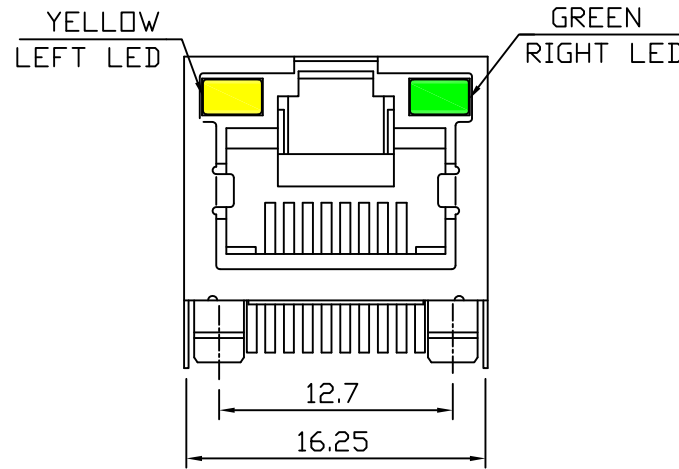
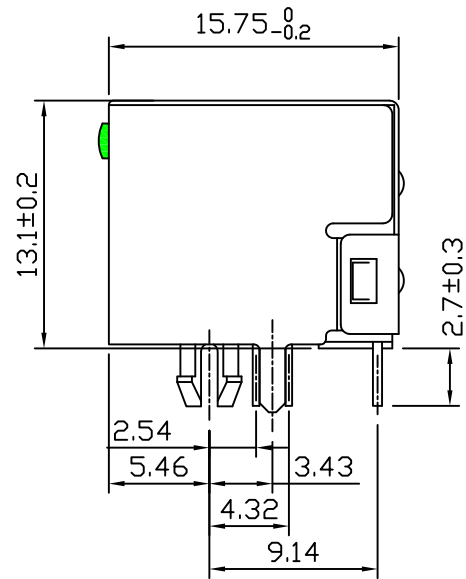


# Mechanical:

REV.	ECN NO.	DESCRIPTION	DATE	APPD
A	REL		2010/07/15	
B	LINK160712		2016/07/12	



PC Board Layout (TOP VIEW)



## NOTES:

### PCB JACK Specification

1. Insulation Resistance: 500MΩ MIN @ 500 VDC
2. Withstanding Voltage: AC1000V 50Hz or 60Hz 1min.
3. Durability: 600 Mating Circles MIN.
4. Gold Plating:  
(Gold Flash; 1.5; 3; 6; 15; 30; 50) U" Inch

### Physical char:

1. Housing: Dupont Nylon (UL94V-0). Soldering Temperature: 260°C For 4 Sec.
2. Color: Black Color
3. Spring Wire:  
0.35mm Thickness Phosphor bronze Gold Plating Over Nickel
4. Shield: Brass plating Nickel

### ENVIRONMENTAL

1. Designed to meet 10/100/1000Base-T Ethernet.
2. Storage Temperature: -40°C To +85°C
3. Operation Temperature: -40°C To +85°C
4. Wave Soldering Temperature:  
255°C ~ 265°C (5 ~ 10 Seconds)
5. RoHS Compliant.

X:X ±0.30	APPD:	LINK-PP INT'L TECHNOLOGY CO., LIMITED		
X:XX ±0.25	CHKD:	TITLE: RJ45 1×1 CONNECTOR		
X:XXX ±0.05	DR: TOM	PART NO.: LPJE101BGNL		
ANGLES ±1°	UNIT: mm			
	SCALE: 2/1	SHEET: 1/1	REV: B	DWG NO.: LP16071202