

REV.	DESCRIPTION	DRAWN	CHECKED	APPROVED
A	NEW RELEASE	YCH 09/04/08'	~	

NOTES:

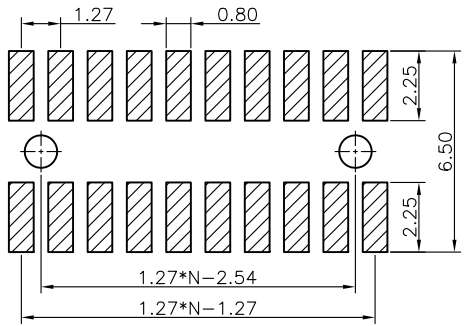
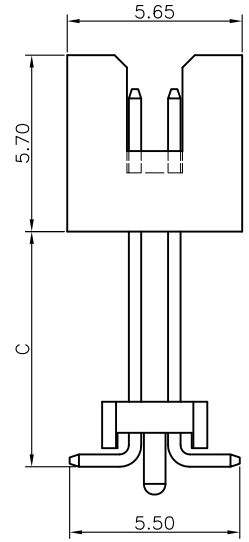
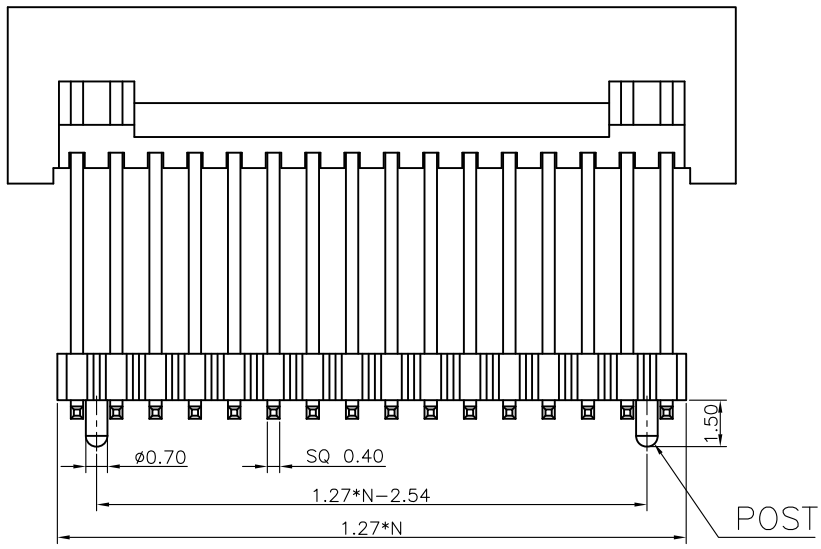
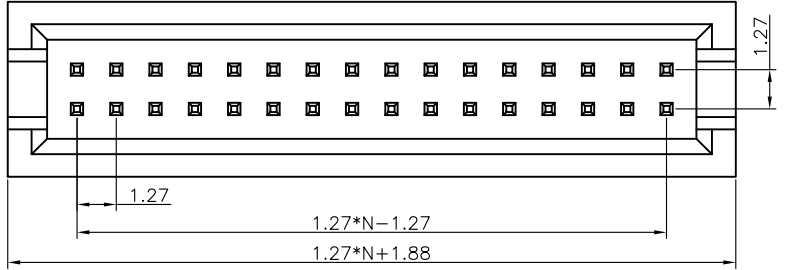
- MATERIAL
  - INSULATOR:THERMOPLASTIC(UL 94V-0).
  - CONTACT MATERIAL:COPPER ALLOY.
- SPECIFICATION
  - CURRENT RATING:1.0 Amp.
  - INSULATION RESISTANCE:1000MΩ Min.
  - DIELECTRIC WITHSTANDING:300VAC.
  - CONTACT RESISTANCE:30mΩ Max.
  - OPERATING TEMPERATURE:-40°C TO+105°C.

3. PART NUMBER: DS1064-13  
 4. PRODUCT NUMBER CODE:


DS1064-13 - X X X X X X X - X

- PLATING LEVEL  
3A: 3A LEVEL
- PACKING TYPE  
B: TUBE  
R: TAPE ON REEL
- DIM. C  
1:TYPE 1
- POST SUPPORT TYPE  
S: W/ POST  
X: W/O POST
- HOUSING COLOR  
B:BLACK
- CONTACT PLATING  
8: FULL GOLD FLASH  
6: FULL TIN
- MOUNTING TYPE  
S:SMT TYPE
- No.OF CONTACTS  
2\*3-2\*40

TYPE	DIM C
1	7.60
2	
3	
4	
5	



RECOMMEND PCB LAYOUT(TOLERANCE=±0.05)

GENERAL TOLERANCE		ANGLE TOLERANCE		PROJECTION	TITLE	1.27mm PIN HEADER SMT TYPE STACK SERIES	
X.	±0.60	X.	±5°	mm			
.X	±0.38	.X	±3°				
.XX	±0.25	.XX	±2°				
DRAWING TYPE		CUSTOMER		SHEET SIZE	SERIES	DS1064-13 SERIES	
SCALE		1:1		SHEET		1 OF 1	
DRAWING NO.		C-DS1064-13-XXXXXXX-X		 <b>晨翔电子有限公司</b> <b>CONNFLY CONNFLY ELECTRONIC CO. LTD</b>			