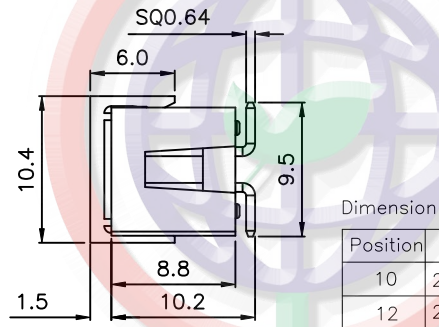
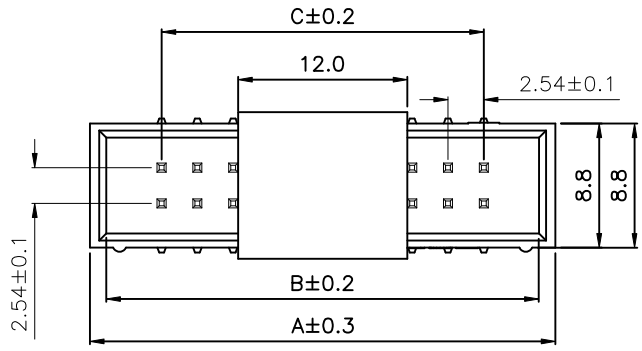


REV.	DESCRIPTION	DRAWN	CHECKED	APPROVED
A	NEW RELEASE	LJH 09/20/05'	~	YCH 09/20/05'
B	ADD P/N CODE	YCH 12/02/13'	~	



Position	A	B	C
10	20.30	18.10	10.16
12	22.84	20.64	12.70
14	25.38	23.18	15.24
16	27.92	25.72	17.78
20	33.00	30.80	22.86
26	40.62	38.42	30.48
30	45.70	43.50	35.56
34	50.78	48.58	40.64
40	58.40	56.20	48.26
50	71.10	68.90	60.96
60	83.80	81.60	73.66
64	88.88	86.68	78.74

NOTES:

- ELECTRICAL CHARACTERISTICS:
 - CONTACT RESISTANCE: 20mΩ Max. INITIAL.
 - DIELECTRIC WITHSTANDING VOLTAGE: 500V AC(rms) FOR 1 MINUTE.
 - INSULATION RESISTANCE: 1000MΩ Min.
- ENVIRONMENT CHARACTERISTICS:
 - TEMPERATURE RANGE: -45°C~+105°C.
- PRODUCT NUMBER CODE:

DS1013- X X X X X - X

Ⓟ PLATING LEVEL(FOR GOLD ONLY)
 3A: 0.8-1.2u"
 B: LEVEL B

PACKING TYPE
 A: TUBE
 R: TAPE ON REEL
 T: TRAY

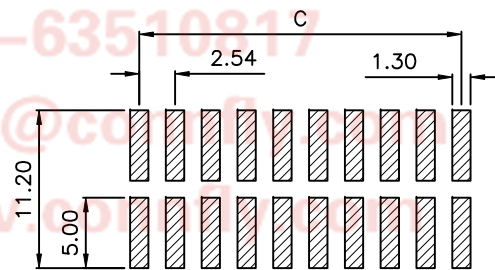
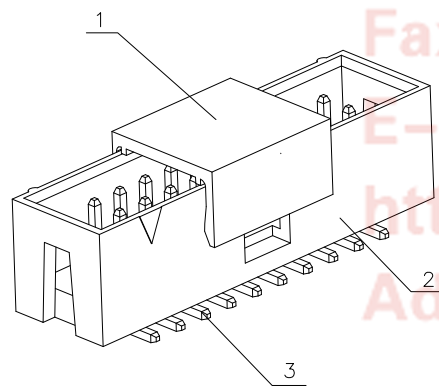
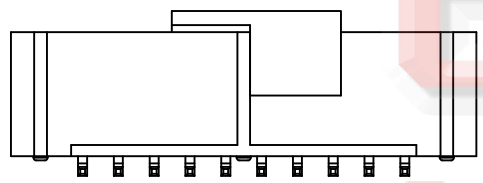
PICK UP SUPPORT
 S: W/ PICK UP
 X: W/O PICK UP

CONTACT PLATING
 Si: FULL GOLD FLASH

MOUNTING TYPE
 M: SMT TYPE

No.OF CONTACTS
 06 08 10 14 16
 20 26 30 34
 40 50 60 64

SERIES No.
 DS1013



RECOMMEND PCB LAYOUT
 TOLERANCE=±0.05

Tel:86-574-63508787
 Fax:86-574-63510817
 E-mail:sale@connfly.com
 http://www.connfly.com
 Add:East Industry Park, Ningbo, China
 Town: Cixi, Ningbo, China

GENERAL TOLERANCE		ANGLE TOLERANCE	
X.	±0.60	X.	±5°
.X	±0.38	.X	±3°
.XX	±0.25	.XX	±2°

PROJECTION	TITLE
UNITS	2.54mm BOX HEADER SMT TYPE
SHEET SIZE	SERIES DS1013 SERIES

ITEM	PART NAME	PART NO.	MATERILAS	FINISHED
3	CONTACT		COPPER ALLOY	GOLD FLASH
2	HOUSING		PA-9T	RoHS II & REACH,UL94 V-0
1	PICK UP		PA-9T	RoHS II & REACH,UL94 V-0

DRAWING TYPE	CUSTOMER
SCALE	1:1
DRAWING NO.	C-DS1013-XXMXXX-X-B

 **晨翔电子有限公司**
CONNFLY ELECTRONIC CO., LTD