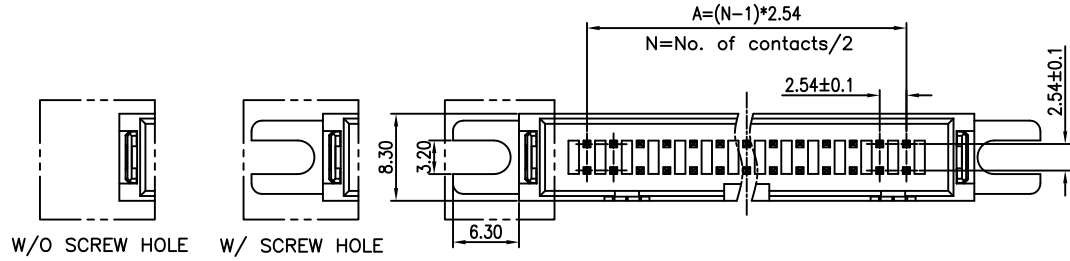


REV.	DESCRIPTION	DRAWN	CHECKED	APPROVED
A	NEW RELEASE	LL 09/11/06'		



NOTES:

1. MATERIAL

- 1.1 INSULATOR: THERMOPLASTIC (UL 94V-0).
- 1.2 CONTACT: COPPER ALLOY.

2. SPECIFICATION

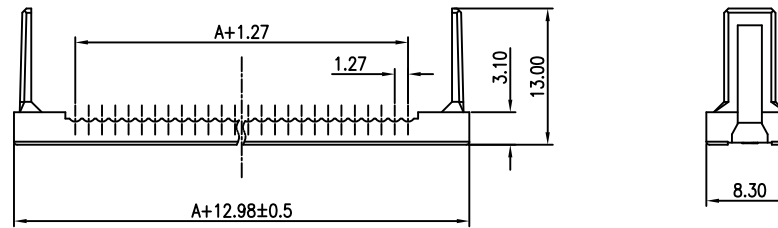
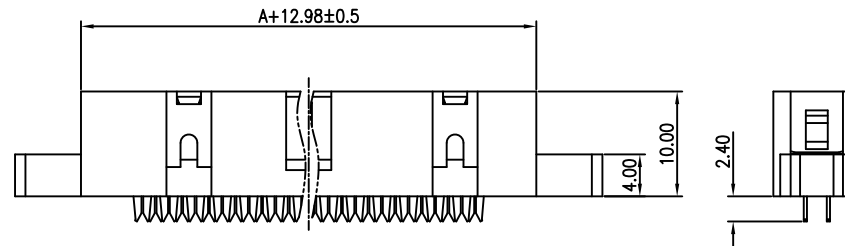
- 2.1 TEMPERATURE RANGE: $-40^{\circ}\text{C} \sim +105^{\circ}\text{C}$.
- 2.2 CONTACT RESISTANCE: $20\text{m}\Omega$ max.
- 2.3 INSULATION RESISTANCE: 10000Ω min.
- 2.4 DIELECTRIC WITHSTANDING VOLTAGE: AC 500V PER MINUTE.

3. PART NUMBER: DS1015

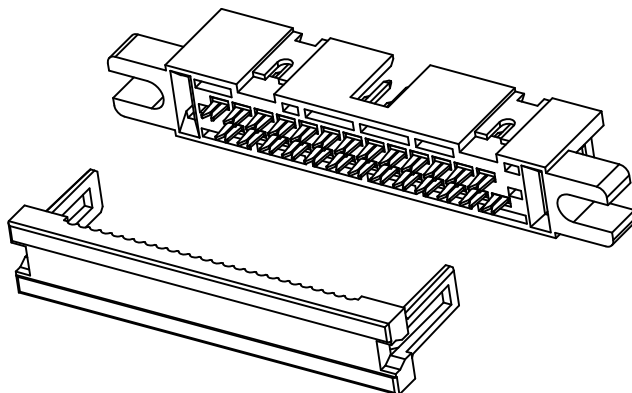
4. PRODUCT NUMBER CODE:

DS1015- X X X X X

- HOUSING COLOR
A: GRAY
B: Black
- CONTACT PLATING
2: GOLD FLASH + NICKEL
- STRAIN RELIEF
M: W/
N: W/O
- SCREW HOLE
M: W/
N: W/O
- No. OF CONTACTS
10 14 16 20 24 26
30 34 40 50 60 64
- SERIES No.
DS1015



COVER



GENERAL TOLERANCE		ANGLE TOLERANCE		PROJECTION		TITLE	IDC BOX HEADER MATES WITH PITCH 1.27mm FLAT CABLE	
X.	±0.60	X.	±5°	UNITS	mm			
.X	±0.38	.X	±3°	SHEET SIZE	A4	SERIES	DS1015 SERIES	
.XX	±0.25	.XX	±2°	晨翔电子有限公司 CONNFLY CONNFLY ELECTRONIC CO. LTD				
DRAWING TYPE		CUSTOMER						
SCALE	1:1	SHEET	1 OF 1					
DRAWING NO.		C-DS1015-XXXX						