

TECHNICAL SPECIFICATIONS:

1- MATERIAL: HOUSING: LCP GLASS FILLED UL 94 V-0 COLOR : BLACK

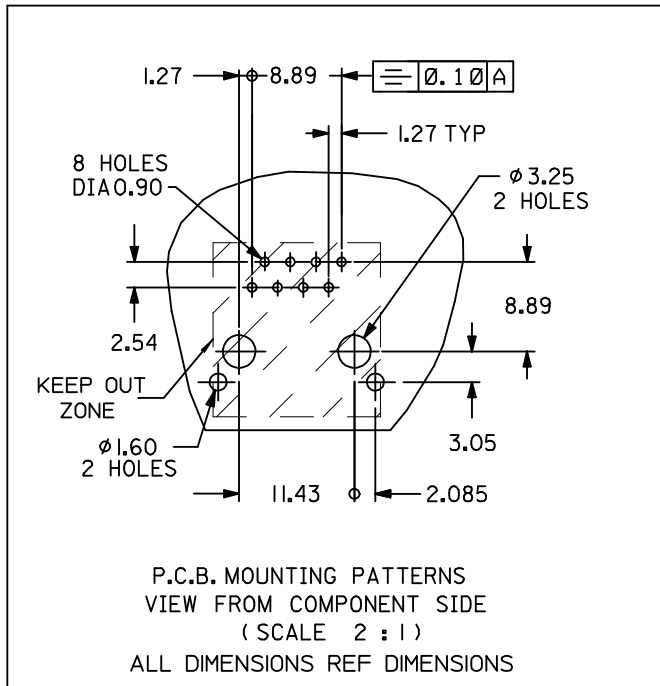
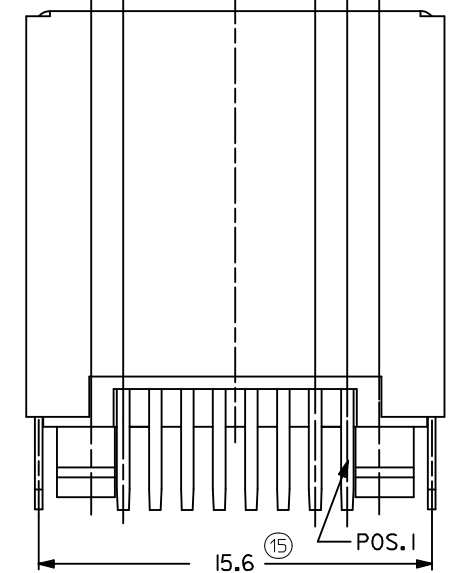
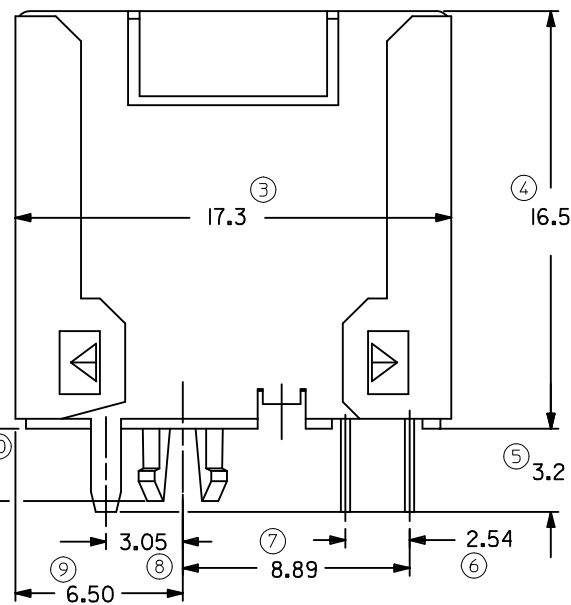
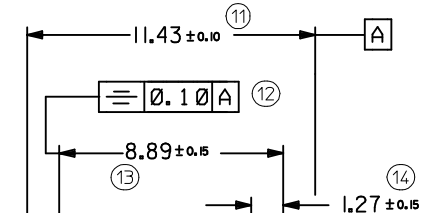
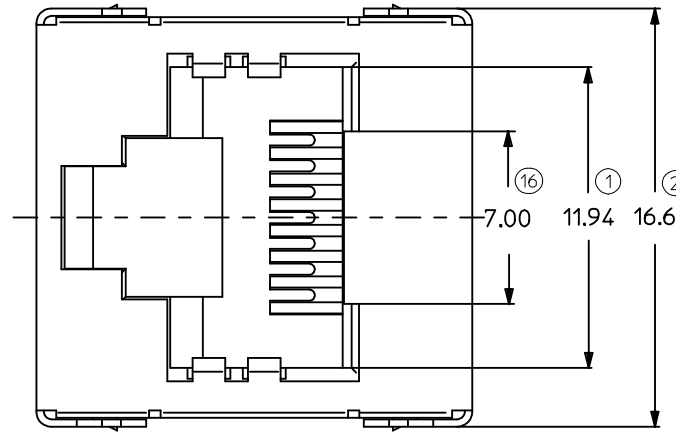
TERMINAL : COPPER ALLOY PLATED WITH
BASE FINISH: NICKEL

CONTACT SURFACE FINISH:
GOLD,
OR

GOLD FLASH OVER PALLADIUM NICKEL.
EXCEEDS PRODUCT REQUIREMENTS BASED ON PS-95623-001

SHIELD : COPPER ALLOY PLATED WITH TIN.

PART NUMBER	TOOLED	PCB THICKNESS
95623-2881	YES	1.57



NOTES :

- 1- JACK FOR MATING WITH IEC 60603-7 AND TIA-1096-A PLUGS 95043 MOLEX SERIES.
- 2- PRODUCT SPECIFICATION: MOLEX PS-95623-001.
- 3- PACKAGING SPECIFICATION: MOLEX PK-95123.
- 4- P.C. BOARD THICKNESS (SEE CHART)

LAST INSPECTION NUMBER: 16

SHIELD UPDATED EC NO: IPG2014-1966 DRWN: JKEARNS 2014/05/01 CHKD: DBYRNES 2014/06/24 APPR: STGRIFFIN 2014/06/25	QUALITY SYMBOLS	GENERAL TOLERANCES (UNLESS SPECIFIED)	DIMENSION STYLE	SCALE	DESIGN UNITS	THIRD ANGLE PROJECTION	
	▽=0 ◻=0	mm INCH	MM ONLY	5:1	METRIC		
		4 PLACES ± --- ± --- 3 PLACES ± --- ± --- 2 PLACES ± 0.25 ± --- 1 PLACE ± 0.35 ± ---	DRAWN BY DATE D. BYRNES 2006/11/14	TITLE FULLY SHIELDED TOP ENTRY MODULAR JACK 8 CKTS (THROUGH HOLE VERSION)			
		ANGULAR ± 1/2°	CHECKED BY DATE EOMAHONY 2006/11/15	MOLEX MOLEX INCORPORATED			
	DRAFT WHERE APPLICABLE MUST REMAIN WITHIN DIMENSIONS	MATERIAL NO.	SEE CHART	DOCUMENT NO.	SHEET NO.		
		SIZE A3	THIS DRAWING CONTAINS INFORMATION THAT IS PROPRIETARY TO MOLEX INCORPORATED AND SHOULD NOT BE USED WITHOUT WRITTEN PERMISSION				