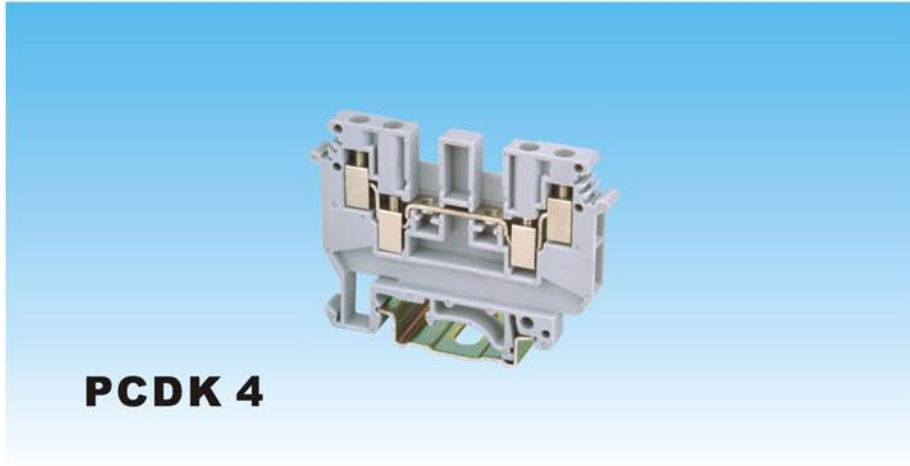




# DEGSON ELECTRONICS CO., LTD.

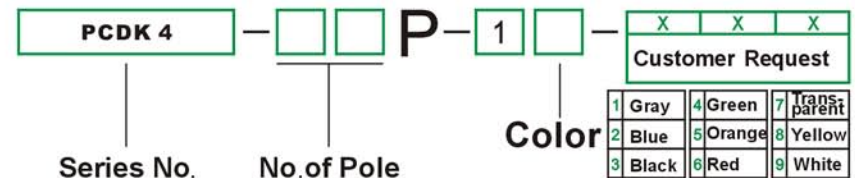
## Product Specification



**PCDK 4**

Specification	Model	PCS
(1) Terminal block	PCDK 4	50
(2) End Cover	D-PCDK 4	50
(3) Fixed Bridge, 10P	FBI 10-6	10
(4) Fixed Bridge		
2-P		
3-P		
4-P		
10-P		
(5) Insertion Bridge		
2-P	EB 2-6	100
3-P	EB 3-6	100
10-P	EB 10-6	10
(6) Isolator Bridge Bar, 10P	ISSBI 10-6	10
(7) Bridge Bar Isolator	IS-K 4	100
(8) Switching Bridge	USBR 2-7	1
(9) Separating Plate	TS-KK 3	50
(10) Zack Strip	ZB 6	
Thickness / Width / Thickness of end cover	[mm]	6.2 / 63.5 / 1.5 mm
Height (NS35:7.5/NS35:15/NS32)	[mm]	47 / 54.5 / 52.5 mm
Rated Voltage / Rated Current	[V] / [A]	690V / 32A
Rated Surge Voltage / Contamination Class	kV / -	8kV / 3
Wire Size	[mm <sup>2</sup> ] / AWG	0.2-4 mm <sup>2</sup> / 24-10 AWG
Stripping Length	[mm]	8 mm
Screw Thread / Tightening Torque	- / [Nm]	M3 / 0.6-0.8 Nm
Internal Cylindrical Gage		A4
Insulating Material / Inflammability Class		PA / V-0

### HOW TO ORDER:



	<b>DEGSON ELECTRONICS CO., LTD.</b>
	NAME <b>PCDK 4</b>