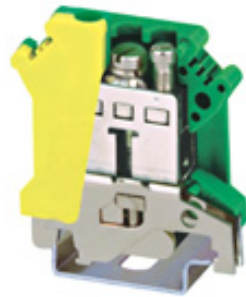




DEGSON ELECTRONICS CO., LTD.

Product Specification

CE



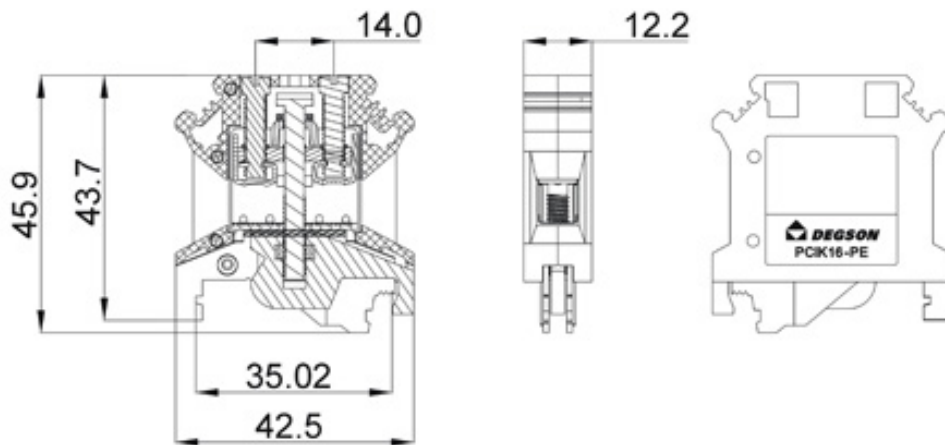
PCIK16-PE

Capability

Approval		
Standard	UL	IEC
Rated Voltage	-	-
Rated Current	-	-
Wire size	12-4AWG	4-16mm ²
T/W/End plate	12.5/42.5/-mm	
Height (NS35.7.5/NS35.15/NS32)	47/54.5/52mm	
Rated Surge Voltage/Contamination Class	6KV/3	
Stripping Length	11 mm	
Clamping Screw:Screw Thread/Tightening Torque	M4/1.2N.m/10.5Lb-in	
Fixing Screw:Screw Thread/Tightening Torque	M4/1.2N.m/10.5Lb-in	
Internal Cylindrical Gage	B7	
Insulating Material/Inflammability Class	PAV-0	

Specification

	Model	Pieces
(1) Terminal Block	PCIK16-PE	50
(2) Zack Strip	ZB 10	



HOW TO ORDER:

PCIK16-PE — P — —

X	X	X
Customer Request		

Series No. No. of Pole Color

1 Gray	4 Green	7 Trans-parent
2 Blue	5 Orange	8 Yellow
3 Black	6 Red	9 White

	DEGSON ELECTRONICS CO., LTD.
	NAME PCIK16-PE