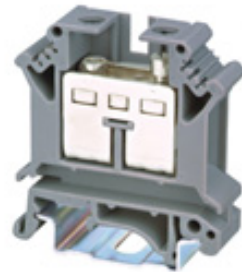
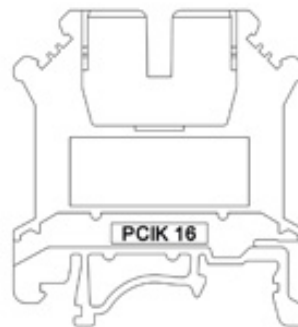
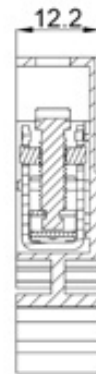
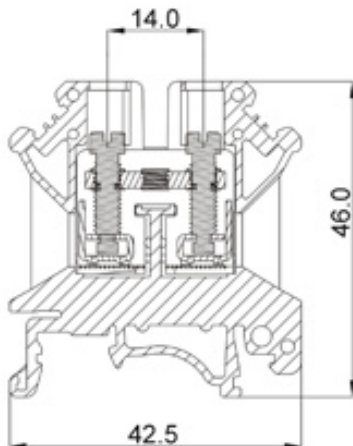


CE



PCIK16



Capability		
Approval		
Standard	UL	IEC
Rated Voltage	300V	400V
Rated Current	85A	76A
Wire size	12-4AWG	4-16mm ²
T/W/End plate	12.2/42.5/1.8mm	
Height _{mm} (NS35:7.5/NS35:15/NS32)	47/54.5/52mm	
Rated Surge Voltage/Contamination Class	6kV/3	
Stripping Length	11mm	
Screw Thread/Tightening Torque	M4/1.2N.m/10.5Lb-in	
Internal Cylindrical Gage	B7	
Insulating Material/Inflammability Class	PAV-0	

Specification	Model	Pieces
(1) Terminal Block	PCIK16	50
(2) End Cover	D-PCIK 4/10	50
(3) Fixed Bridge	2-P 3-P 5-P 10-P	FBI 10-12
(4) Step Bracket		
(5) Insertion Bridge	2-P 3-P 10-P	EB 10-12
(6) Isolator Bridge Bar, 10 P		
(7) Bridge Bar Isolator		
(8) Switching Bridge		
(9) Separating Plate	IS-K	50
(10) Separating Plate, Width:1.5mm	ATP-PC	50
(11) Test Plug Socket	PSB 4/7/6	100
(12) Test Plug Socket, Insulated	PSBJ 4/15/5	
(13) Zack Strip	ZB10	

HOW TO ORDER:

PCIK16 — P — —

X	X	X
Customer Request		

Series No. No. of Pole Color

1 Gray	4 Green	7 Trans-parent
2 Blue	5 Orange	8 Yellow
3 Black	6 Red	9 White

	 DEGSON ELECTRONICS CO., LTD.
	NAME PCIK16