



DEGSON ELECTRONICS CO., LTD.

Product Specification

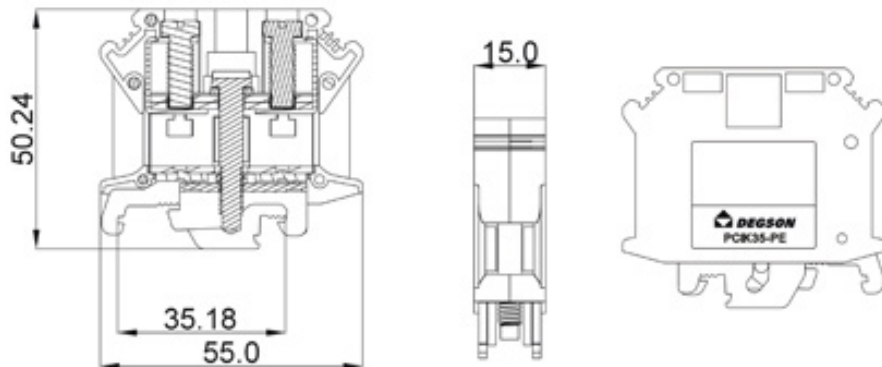
CE



PCIK35-PE

Capability		
Approval		
Standard	UL	IEC
Rated Voltage	-	-
Rated Current	-	-
Wire size	18-2AWG	0.75-35mm ²
T/W/End plate		15.2/55/-mm
Height (NS35.7.5/NS35.15/NS32)		51/58.5/56mm
Rated Surge Voltage/Contamination Class		8KV/3
Stripping Length		16mm
Clamping Screw:Screw Thread/Tightening Torque		M6/2.5N.m/22Lb-in
Fixing Screw:Screw Thread/Tightening Torque		M5/2.5N.m/22Lb-in
Internal Cylindrical Gage		B9
Insulating Material/Inflammability Class		PAV-0

Specification	Model	Pieces
(1) Terminal Block	PCIK35-PE	50
(2) Zack Strip	ZB 10	



HOW TO ORDER:

PCIK35-PE — P — 1 —

X	X	X
Customer Request		

Series No. No. of Pole Color

1 Gray	4 Green	7 Trans-parent
2 Blue	5 Orange	8 Yellow
3 Black	6 Red	9 White

	DEGSON ELECTRONICS CO., LTD.
	NAME PCIK35-PE