

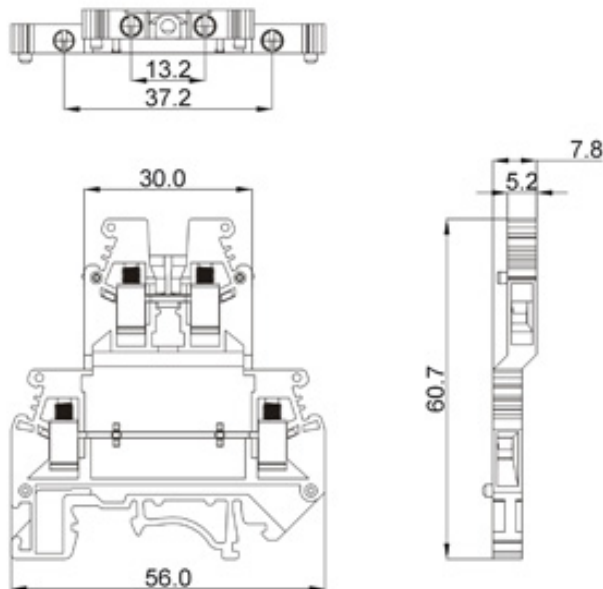


DEGSON ELECTRONICS CO., LTD.

Product Specification



PCKK2.5



Capability		
Approval		
Standard	UL	IEC
Rated Voltage	300V	500V
Rated Current	20A	24A
Wire size	24-12AWG	0.2-2.5mm ²
T/W/End plate	5.2/56/2.6mm	
Height _{max} (NS35:7.5/NS35:15/NS32)	62/69.5/67mm	
Rated Surge Voltage/Contamination Class	6KV/3	
Stripping Length	8 mm	
Screw Thread/Tightening Torque	M3/0.5N.m/4.5Lb-in	
Internal Cylindrical Gage	A3	
Insulating Material/Inflammability Class	PAV-0	

Specification	Model	Pieces
(1) Terminal Block	PCKK2.5	50
(2) End Cover	D-PCKK2.5/4	50
(3) Fixed Bridge	2-P FBRNI 2-5N 3-P FBRNI 3-5N 5-P FBRNI 4-5N 10-P FBRNI 10-5N	10 10 10 10
(4) Step Bracket		
(5) Insertion Bridge	2-P EBL 10-5 3-P 10-P	10
(6) Isolator Bridge Bar, 10 P	DG-PCKK 2.5/4	50
(7) Bridge Bar Isolator	DP-PCKK 2.5/4	50
(8) Switching Bridge		
(9) Separating Plate	TS-KK3	50
(10) Separating Plate, Width:1.5mm	ATP-PCKK 2.5/4	50
(11) Test Plug Socket		
(12) Test Plug Socket, Insulated		
(13) Zack Strip	ZB5	

HOW TO ORDER:

PCKK2.5 — P — 1 —

X	X	X
Customer Request		

Series No. **No. of Pole** **Color**

1 Gray	4 Green	7 Trans-parent
2 Blue	5 Orange	8 Yellow
3 Black	6 Red	9 White

 	DEGSON ELECTRONICS CO., LTD. NAME PCKK2.5
------	--