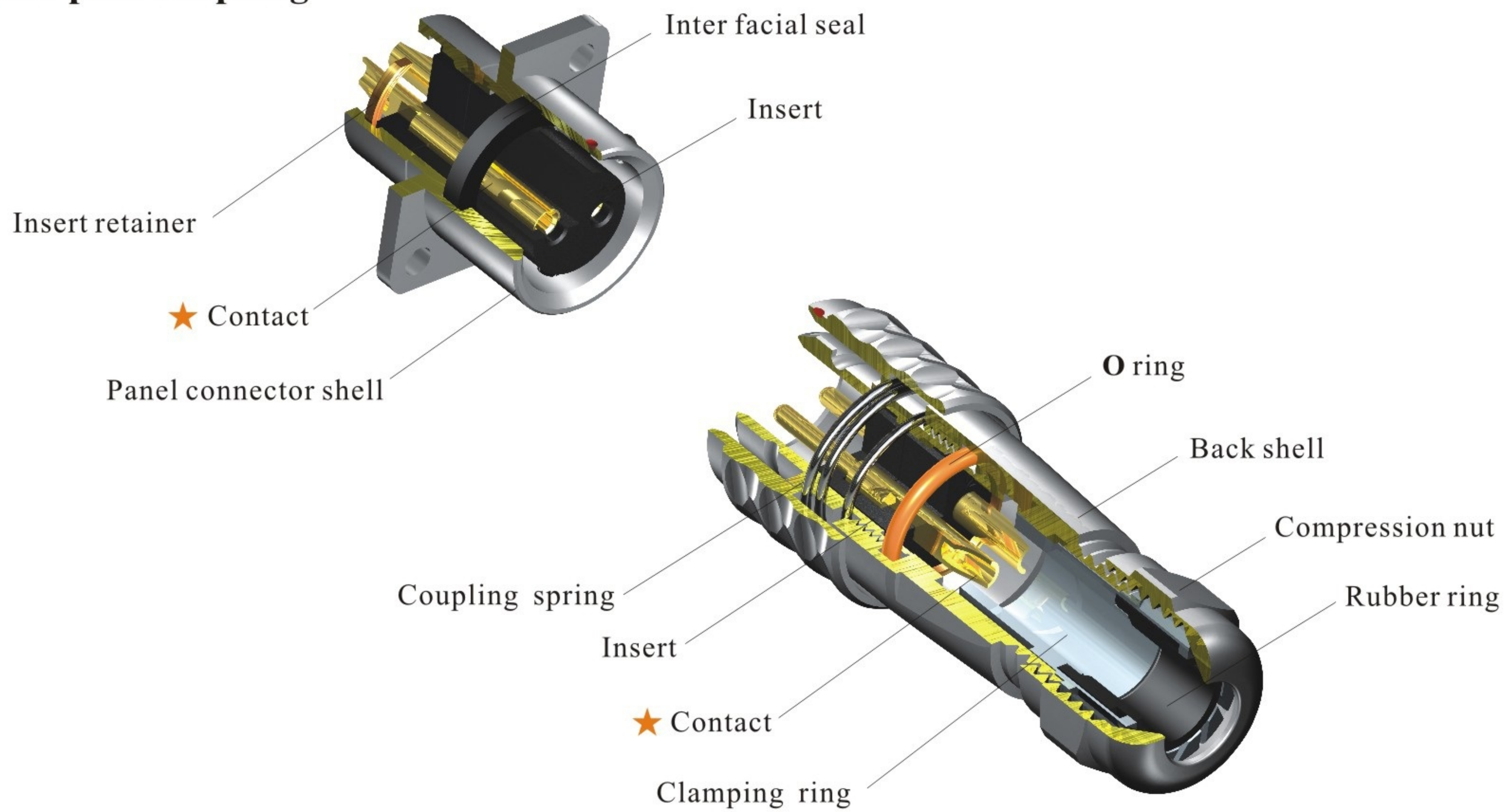


IP67



- SF Series IP67
- Push-pull coupling



★ Each side can be male or female contact

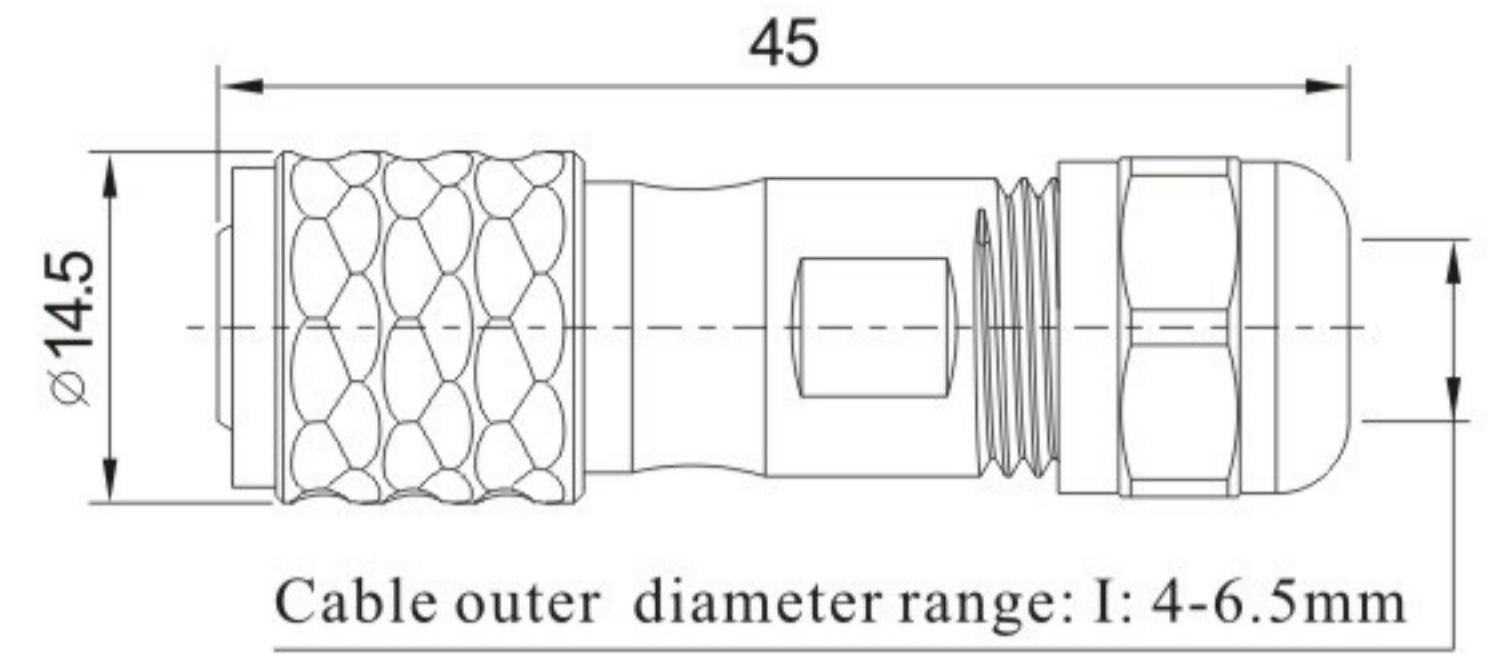
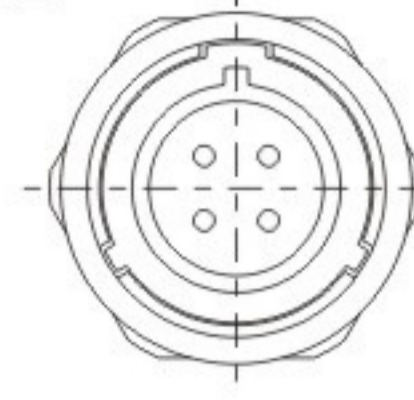
Material and spec

Coupling	Push-pull
Shell material	Brass with chrome plating
Insert material	PPS, max temperature 260 °C
Contact material	Brass with gold plating
Termination	Solder: SF6, SF8, SF10, SF12, SF16, SF20 Crimp: SF16, SF20 Screw: SF20 (∅ 2.5mm contact)
IP rating	IP67
Mating cycle	500
Temperature range	-40°C~+85°C
Insulation resistance (MΩ)	2000

SF10 Series



Cable connector
Mate with SF1011, SF1012

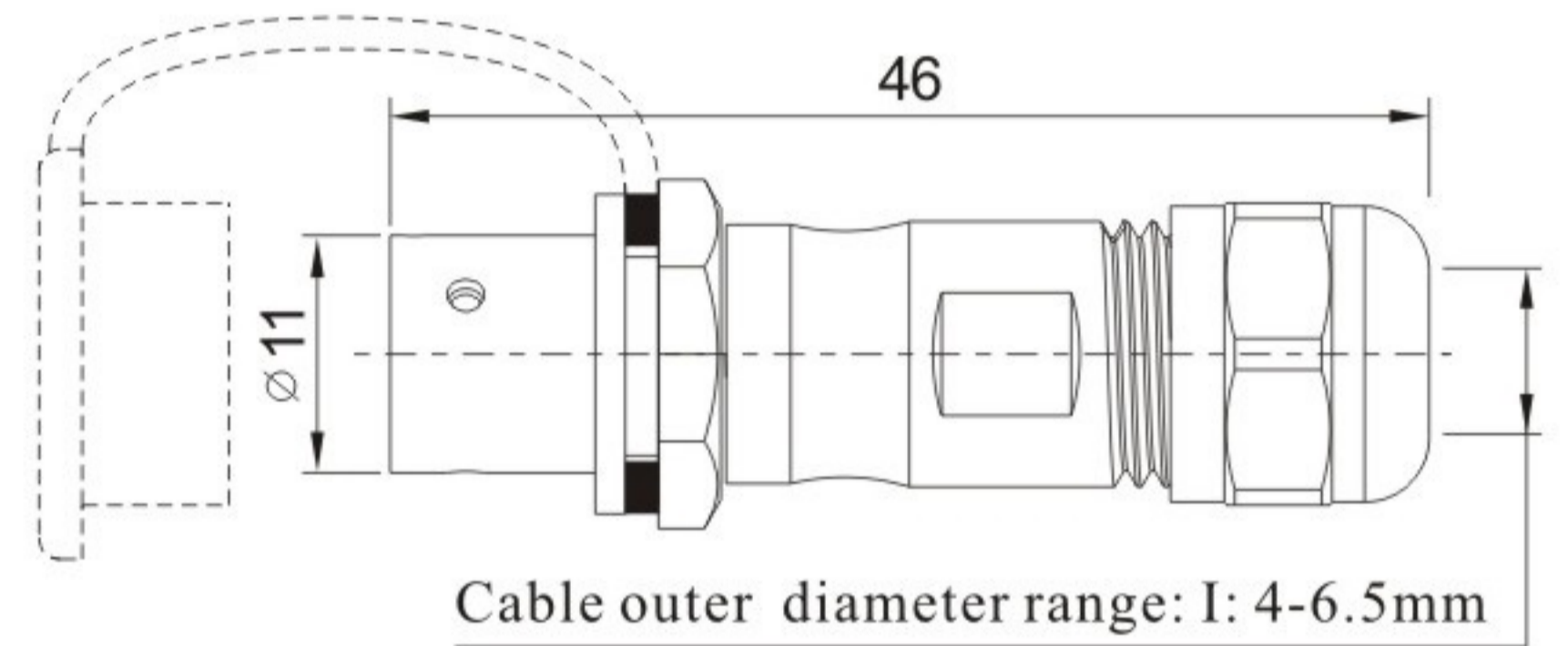
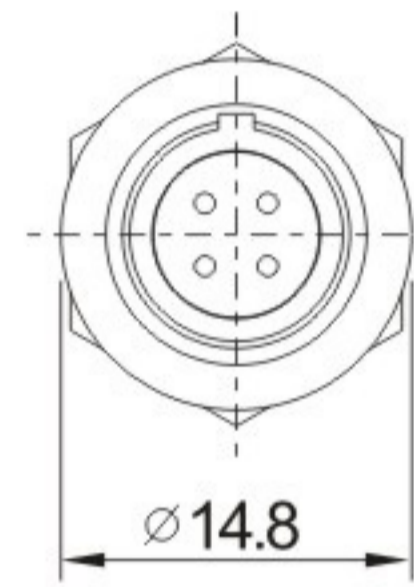


SF1010 / P__ SF1010 / S__

Cable outer diameter: I: 4-6.5mm
Number of contact



In-line cable connector
Mate with SF1010

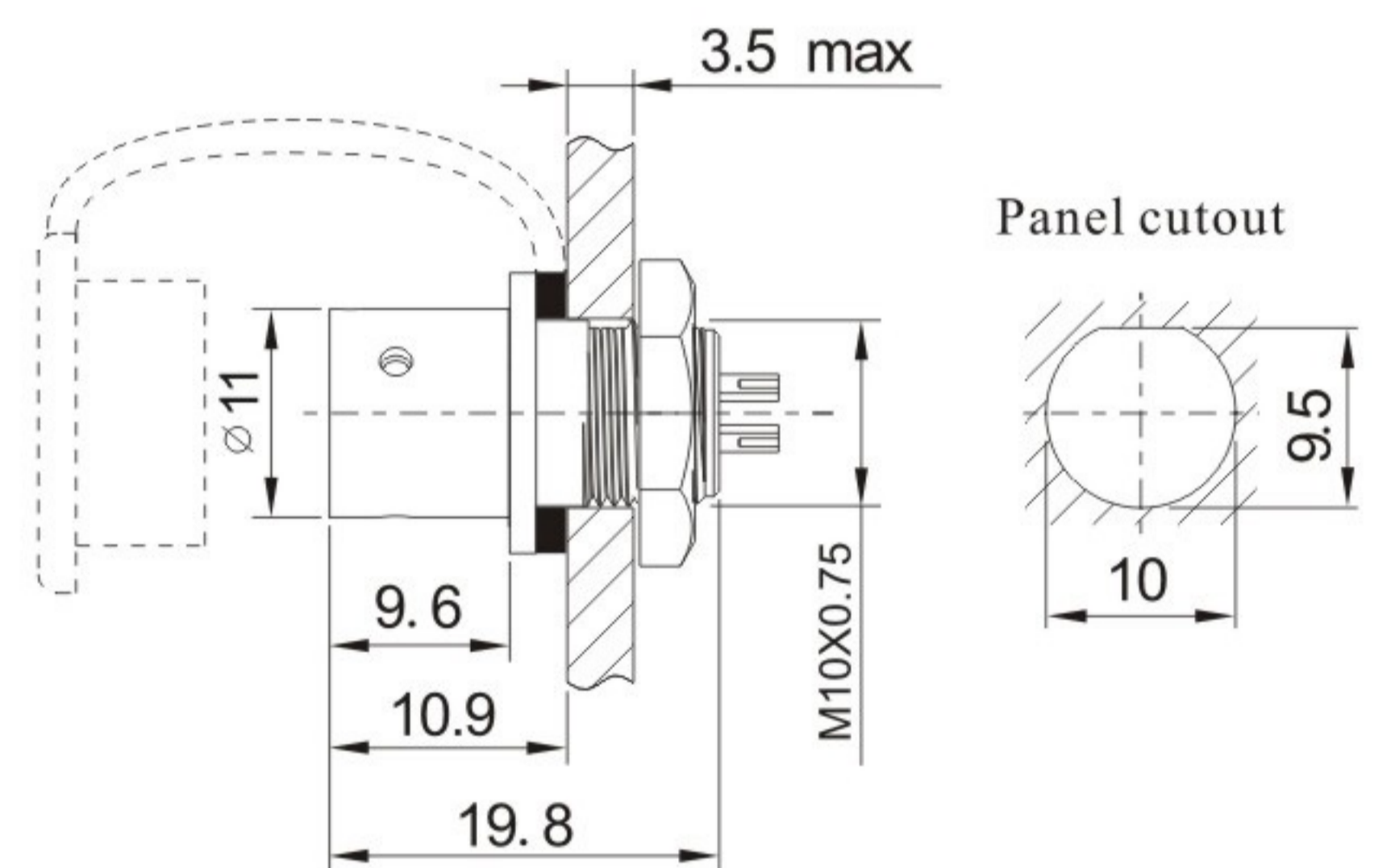


SF1011 / P__ SF1011 / S__

Cable outer diameter range: I: 4-6.5mm



Rear-nut mount
Mate with SF1010



SF1012 / P__ SF1012 / S__

Number of contact

Solder contact spec

Number of contact	2	3	4	5
Male contact face view				
Rated current (A)	5	5	3	3
Contact diameter (mm)	1	1	0.7	0.7
Rated voltage (AC.V)	180	180	125	125
Test voltage(AC.V) 1 min	1000	1000	1000	1000
Contact resistance (mΩ)	5	5	10	10
Wire size (mm ² / AWG)	≤0.785/18	≤0.785/18	≤0.785/18	≤0.785/18