

REV	MODIFICATION	DATE	DRAW

Notes:
 Material: Phosphor Bronze(C5191-H)
 SIMM Card Connector,With
 Physical:
 Housing: Lep UL 94V-0
 Contact: Selective Gold Flash
 FINISH : Gold plated on contact area & 100 μ'
 Min. Tin/lead or Sn only plated on soldering
 end over 50 μ' Min. Nickel
 Specifications:
 Voltage Current rating: 1A. 50V AC
 Insulation Resistance: 1000Mohm Min
 Contact Withstanding Voltage:
 AC 500V For 1 Minute
 Tempereure Rating: -40° To +85°
 Durability: 10000 Cycles Min
 IR Re-Flow:260°C 15Sec Max

COMMENDED PCB LAYOUT
 TOL:(±0.05)
 RE

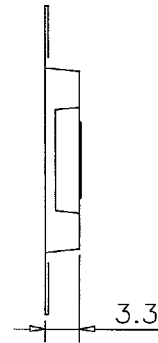
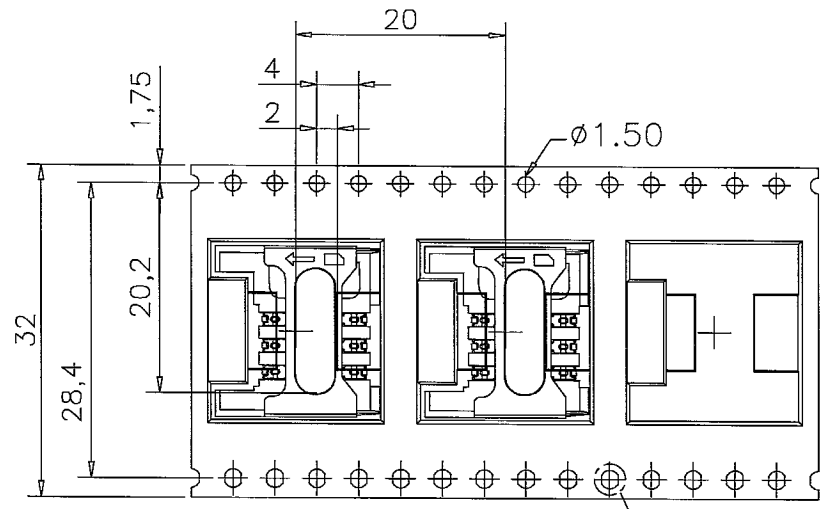
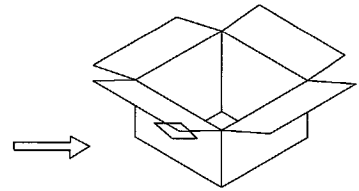
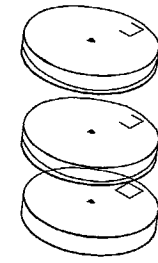
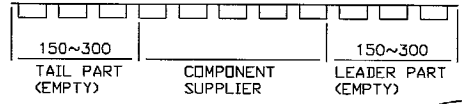
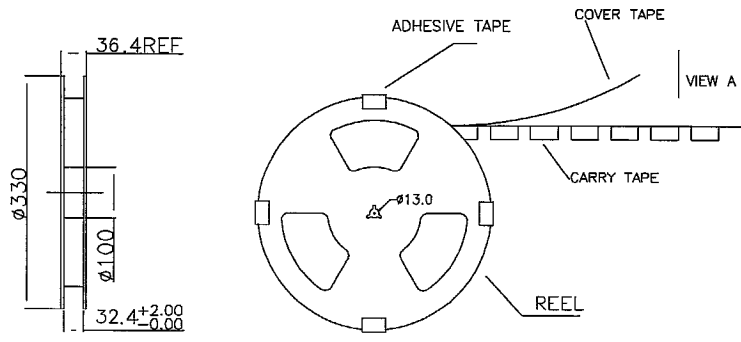
ORDER INFORMATION:
 SIMMP-006 XX B006
 03:3u"



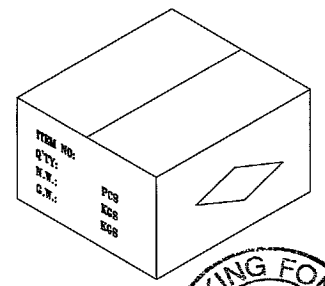
DIMENSION IN mm [Inch]		PROD. SPEC. 1/2	KINGFONT PRECISION INDUSTRIAL CO., LTD.	
TOLERANCE UNLESS OTHERWISE SPECIFIED		PKG. SPEC. 2/5	TITLE SIM CARD CONNECTOR	CUSTOMER DRAWING
.X±0.25	X.*±	APPROVE <i>Gan</i>	FILE NO.	DWG NO. SIMMP-0063B006-G
.XX±0.15	.X.*±	CHECK <i>Jay</i>	SIZE A4	PROJ. SHEET 1 / 2
.XXX±0.10	.XX.*±	DRAW <i>SB</i>	SCALE 2.5:1	REV A

1 2 3 4 5 6 7 8

REV	MODIFICATION	DATE	DRAW



NOTE :
 1:每卷装900pcs
 1:每箱10卷. 9000pcs



DIMENSION IN mm [Inch]		PROD. SPEC. 1/2	KINGFONT PRECISION INDUSTRIAL CO., LTD.	
TOLERANCE UNLESS OTHERWISE SPECIFIED		PKG. SPEC. 7/2	TITLE SIM CARD CONNECTOR CUSTOMER DRAWING	
.X±0.25	X.±	APPROVE <i>Grant</i>	FILE NO.	DWG NO. SIMMP-006978006-G
.XX±0.15	.X.±	CHECK <i>Long</i>	SIZE A4	PROJ. SHEET 2 / 2
.XXX±0.10	.XX.±	DRAW <i>Long</i>	SCALE 2.5:1	REV A

1 2 3 4 5 6 7 8 QR-2100-043