

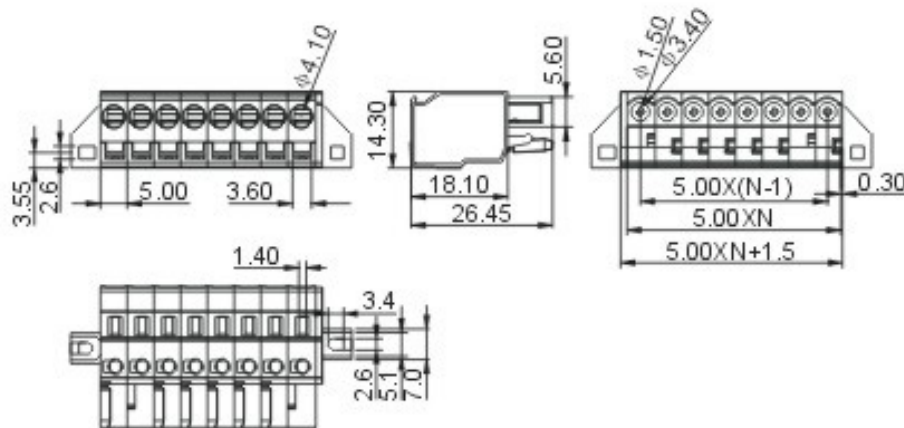


# DEGSON ELECTRONICS CO., LTD.

## Product Specification



**8EDGKMA-5.0    8EDGKMA-5.08**  
**8EDGKMA-7.5    8EDGKMA-7.62**



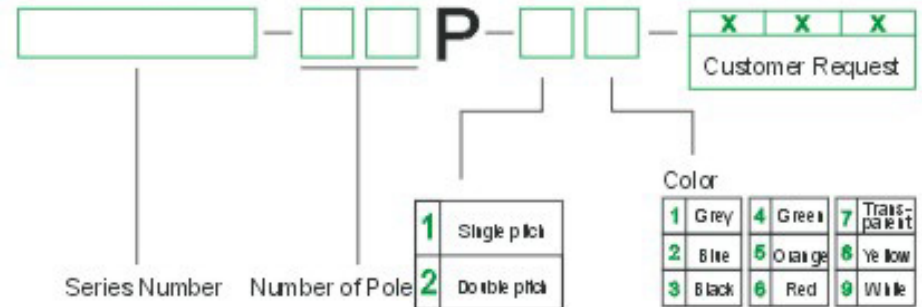
Approval	UL	CE
<b>Electrical</b>		
Standard	UL	IEC
Rated voltage	300V	320V, 400V
Rated current	15A	20A
Wire range	22-14AWG	2.5mm <sup>2</sup>
With standing voltage	AC 2500V/1 Min	

Mechanical	
Ambient temperature	-40°C ~ +105°C
Strip length	8-9mm

Dimensions	
Pitch	5.0 mm (.197") 5.08mm (.200") 7.5mm (.295") 7.62mm (.300")
Poles	2P-24P      2P-12P

Material	
Housing	PA66, UL94V-0
Contact	Phosphor bronze
Wire guard	Stainless steel

### HOW TO ORDER



			<b>DEGSON ELECTRONICS CO., LTD.</b>
		NAME	<b>8EDGKMA-5.0    8EDGKMA-5.08</b> <b>8EDGKMA-7.5    8EDGKMA-7.62</b>