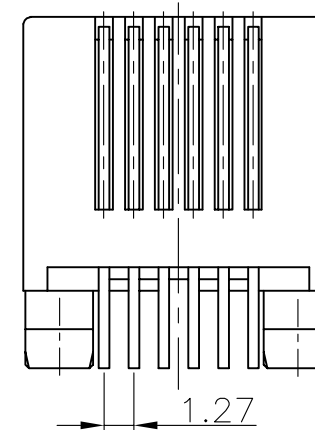
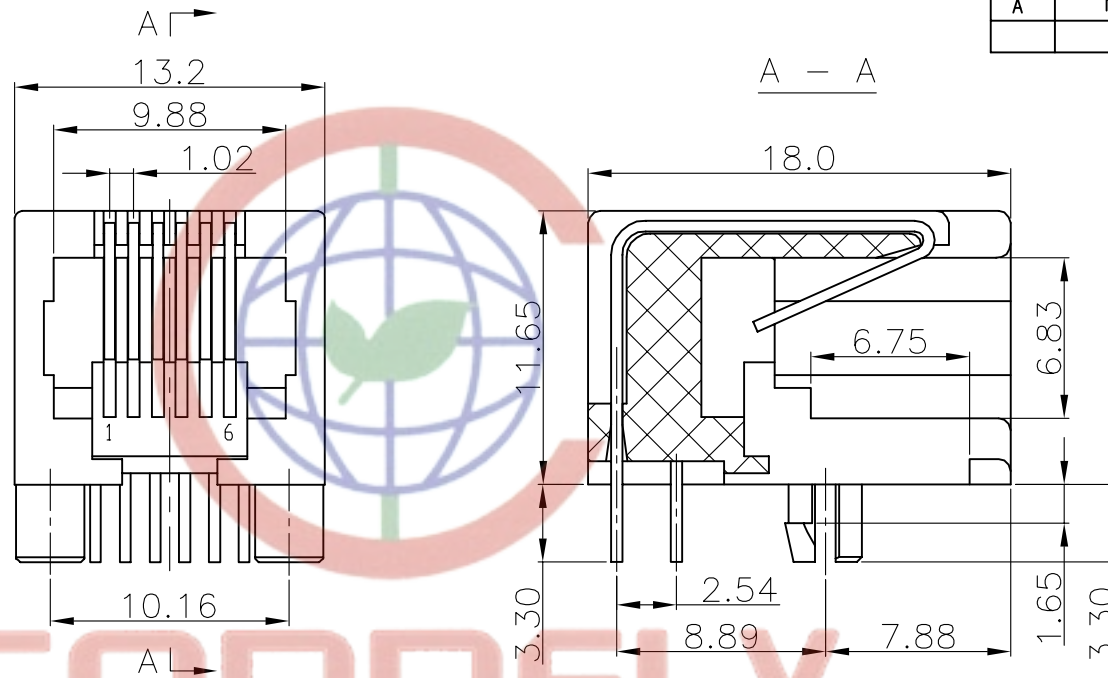


REV.	DESCRIPTION	DRAWN	CHECKED	APPROVED
A	NEW RELEASE	YCH 02/27/09'	~	

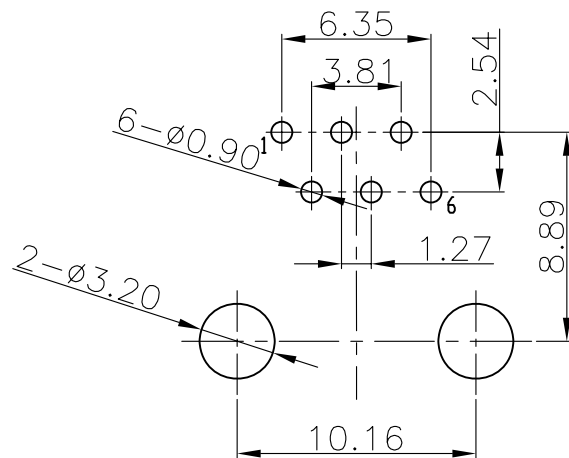


SPECIFICATION

1. Insulation Resistance:1000MΩ Min.
2. Withstand Voltage:500V AC/Minute.
3. Durability:600 Mating Cycles Min.
4. Contact Resistance: 50mΩ Max.
5. Product Number Code:

DS1133-03-X X X X


- Housing Color
- B:Black
- A:Gray
- Contact Plating
- 0:Gold Flash
- 3:Selective 3u" Gold
- (6;15;30)Micro Inch
- No.Of Contacts
- 6:6P6C
- 4:6P4C
- Connector Type
- S:Socket



RECOMMEND PCB LAYOUT
TOLERANCE=±0.05mm

Tel: 86-574-63508787

Fax: 86-574-63510817

GENERAL TOLERANCE		ANGLE TOLERANCE		PROJECTION	TITLE	PCB JACK 6p
X.	±0.60	X.	±5°	UNITS		
.X	±0.38	.X	±3°	SHEET SIZE	A4	SERIES DS1133-03 SERIES
.XX	±0.25	.XX	±2°	DRAWING NO. C-DS1133-03-XXXX		
DRAWING TYPE		CUSTOMER		 晨翔电子有限公司 CONNFLY CONNFLY ELECTRONIC CO. LTD		
SCALE		1:1				
SHEET		1 OF 1				

P.O:315321