

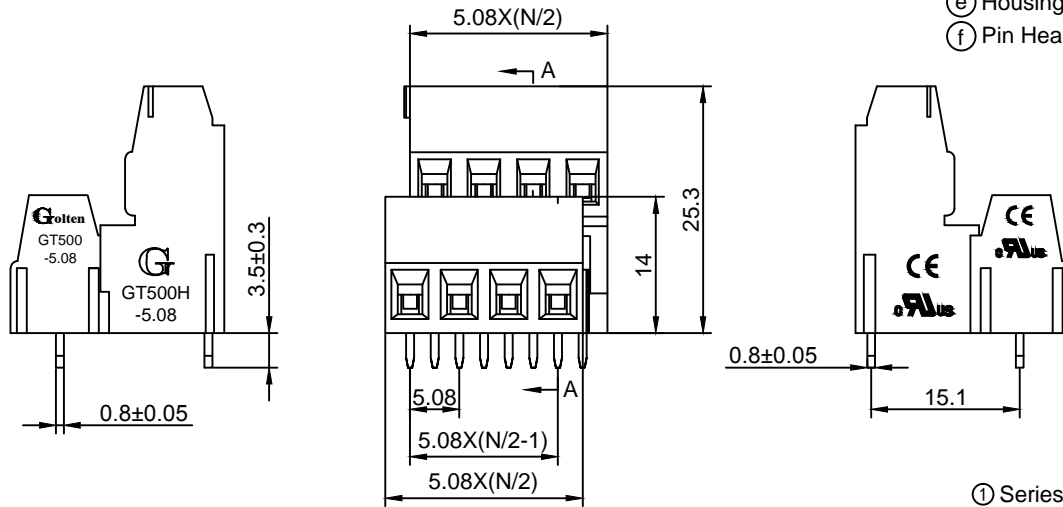
Material :

- (a) Housing1 : PA66(UL94V-0)
- (b) Screws : Steel , Cr³⁺Zn Plated
- (c) Cage : Brass , Ni Plated
- (d) Pin Header1 : Brass , Tin Plated
- (e) Housing2 : PA66(UL94V-0)
- (f) Pin Header2 : Brass , Tin Plated

Electrical :

- | | | |
|------------------------------|------------------|------------------------|
| | UL | IEC |
| 1.Rated Voltage : | 300V | 250V |
| 2.Rated Current : | 20A | 18A |
| 3.Torque Value : | M2.5 , 3.54Lb.in | M2.5 , 0.4N.m |
| 4.Wire Range: | 28-12AWG | 1.0-2.5mm ² |
| 5.Stripping Length : | 6-7mm | |
| 6.Withstanding Voltage : | AC2000V/1Min. | |
| 7.Operating Temperature : | -40°C~+105°C | |
| 8.RoHS Compliance | | |
| 9.Safety Approval : | | |
| 10.Undimensioned Tolerances: | | |

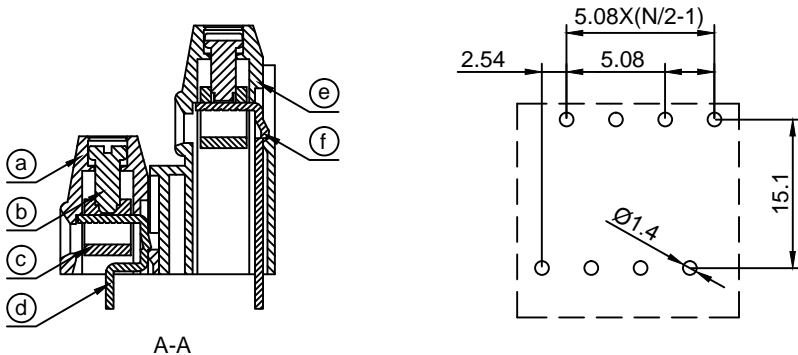
Pitch Range In mm		Nominal Dimension Range In mm						—	∩	∇
≤6	6 ~ 10	10 ~ 24	≤30	30 ~ 60	60 ~ 100	100 ~ 150	>150	0.05/10		
±0.10	±0.15	±0.25	±0.20	±0.30	±0.50	±0.70	±1.00	±0.1°		



GT500B - 5.08 - XXP - X X - 00 AH

① ② ③ ④ ⑤ ⑥ ⑦

- ① Series No.
- ② Pitch
- ③ Poles
- ④ 1 Single Pitch
2 Double Pitch
- ⑤ Color: 1 Grey
2 Blue
3 Black
4 Green(Standard For AH)
5 Orange
6 Red
7 Transparent
8 Yellow
9 White
- ⑥ Customer Request : 00--Standard
- ⑦ AH--Standard(PA66)



DETACHED LISTS	Grolten 宁波冠泰电子有限公司 NINGBO GOLTEN ELECTRONICS CO., LTD.													
	APPD: MA_9/15/17'	PART NO. GT500B-5.08-XXP-XX-00AH												
	CHKD: Yu_9/14/17'													
	DRFT: Chen_9/13/17'													
 THIRD ANGLE PROJECTION		<table border="1"> <tr> <td>DRAWING NO.</td> <td>REV</td> <td>1</td> </tr> <tr> <td></td> <td>SHEET</td> <td>1/1</td> </tr> <tr> <td>MM (INCH)</td> <td>DO NOT SCALE DRAWING</td> <td>SCALE</td> </tr> <tr> <td></td> <td></td> <td>1/1</td> </tr> </table>	DRAWING NO.	REV	1		SHEET	1/1	MM (INCH)	DO NOT SCALE DRAWING	SCALE			1/1
DRAWING NO.	REV	1												
	SHEET	1/1												
MM (INCH)	DO NOT SCALE DRAWING	SCALE												
		1/1												