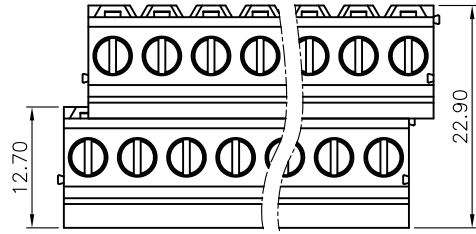


REV	DESCRIPTION	DRFT	DATE



Electrical:

UL Standard

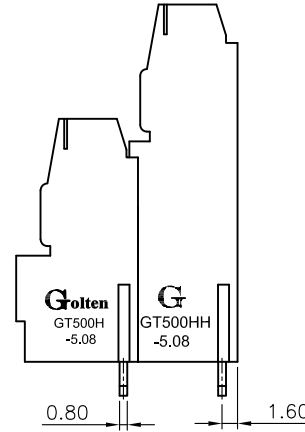
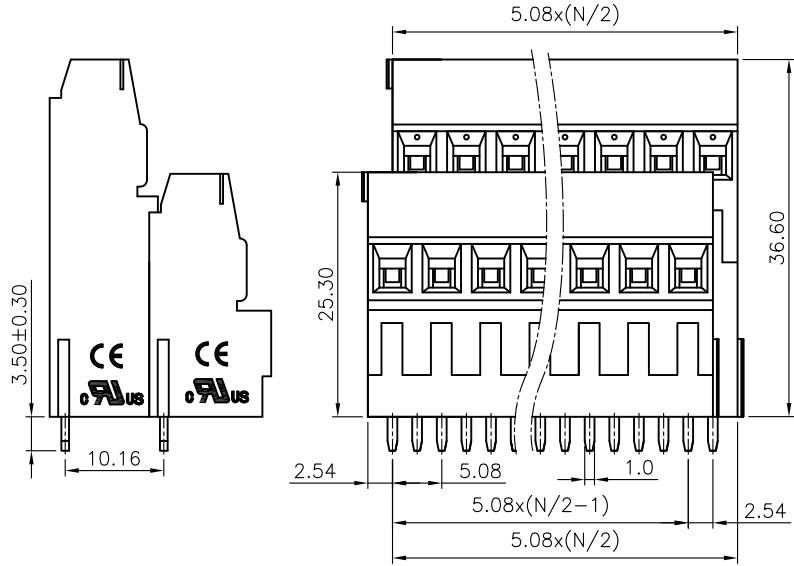
1. Rated voltage: 300V
2. Rated current: 20A
3. Torque value: M2.5, 3.54Lb.in
4. Wire range: 28~12AWG

IEC Standard

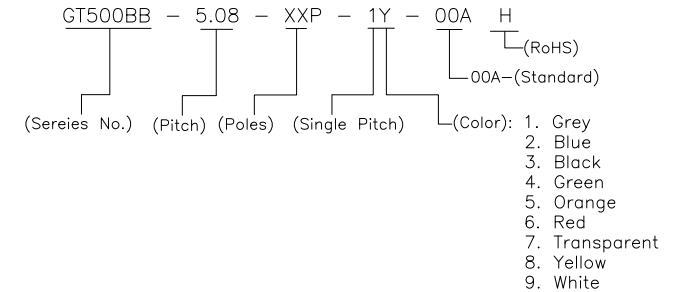
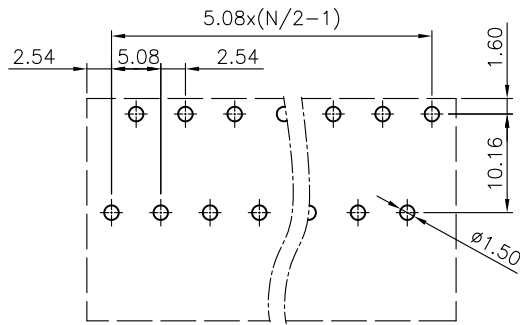
1. Rated voltage: 250V
2. Rated current: 18A
3. Torque value: M2.5, 0.4N.m
4. Wire range: 1.0~2.5mm<sup>2</sup>

Notes :

1. Pitch: 5.08mm, Poles: N=04~48P
2. Stripping length : 6~7mm
3. Withstanding voltage : AC2000V/1Min.
4. Operating temperature : -40°C~+105°C
5. RoHS Compliance
6. Safty Approval :
7. Undimensioned Tolerances:



Pitch Range In mm		Nominal Dimension Range In mm				—	∩	□
≤6	6 ~ 10	≤30	30 ~ 60	60 ~ 100	100 ~ 150	>150	0.1/10	∠
±0.15	±0.20	±0.30	±0.30	±0.50	±0.70	±1.00	±1.30	±2'



ITEM	NAME OF PART	MATERIAL	NOTES
6	Screw	Steel	Zn Plated
5	Cage	Copper alloy	Ni Plated
4	Pin Hedder 2	Copper alloy	Sn Plated
3	Pin Hedder 1	Copper alloy	Sn Plated
2	Housing 2	PA66	UL94V-0
1	Housing 1	PA66	UL94V-0

DETACHED LISTS

**Grolten**

宁波冠泰电子有限公司  
NINGBO GOLTEN ELECTRONICS CO., LTD.

APPD: MA\_07/19/19'

NAME: GT500BB-5.08-XXP-1Y-00AH

CHKD: /

DRFT: Nick\_07/19/19'

TITLE: CUSTOMER DRAWING

REV TO

THIRD ANGLE PROJECTION

DRAWING NO.: GT500BB-5.08-C01

SHEET 1/1

MM (INCH)

DO NOT SCALE DRAWING

SCALE 1:1