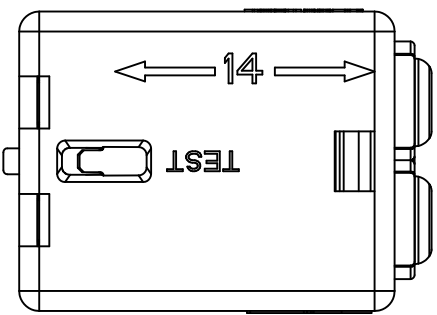
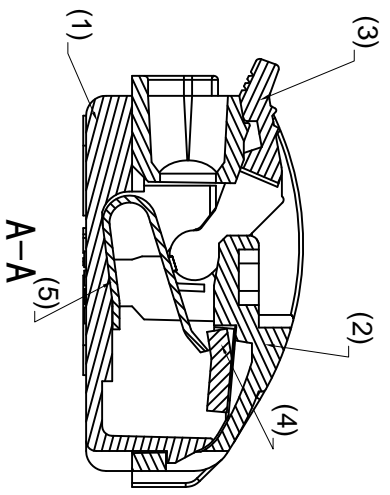
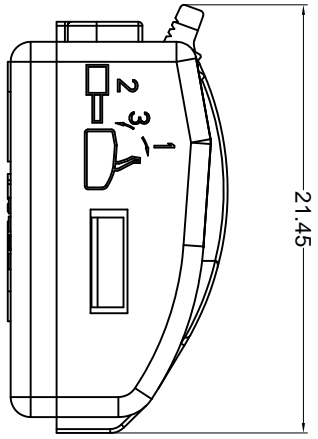
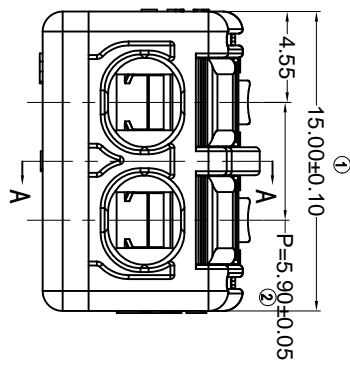
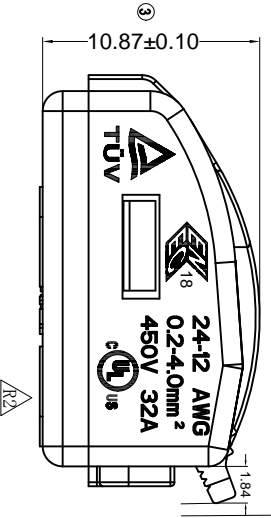
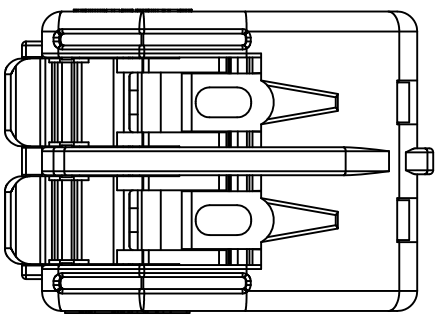


REV.	ECON. NO.	REVISE NO.	REVISED	APPD.
R1	DRAWING			



WIRE RANGE: 24-12AWG
ELECTRICAL RATING: AC450V 32A
DIELECTRIC WITHSTAND: AC2500V
PULSE WITHSTAND VOLTAGE: 4000V
INSULATION RESISTANCE: DC500V, 500MΩ min
STRIPPING LENGTH: 14 mm



ZHEJIANG UTILITY ELECTRICAL CO., LTD
浙江尤提乐电气有限公司

>120	±0.50	TYPE NO.	UBC-592	TITLE	名称:	装配图
>30~120	±0.30	APPD.		DWG. NO.:	图号:	DW1994-0
>6~30	±0.20	CHKD.		SCALE:	比例:	FULL
0~6	±0.10	ANGLE	±1°	PAGE:	页码:	1/3
MAT'L.	材料:	DR.	设计:	UNIT:	单位:	mm[inch]
			胡聪	REV.:	版次:	R1