

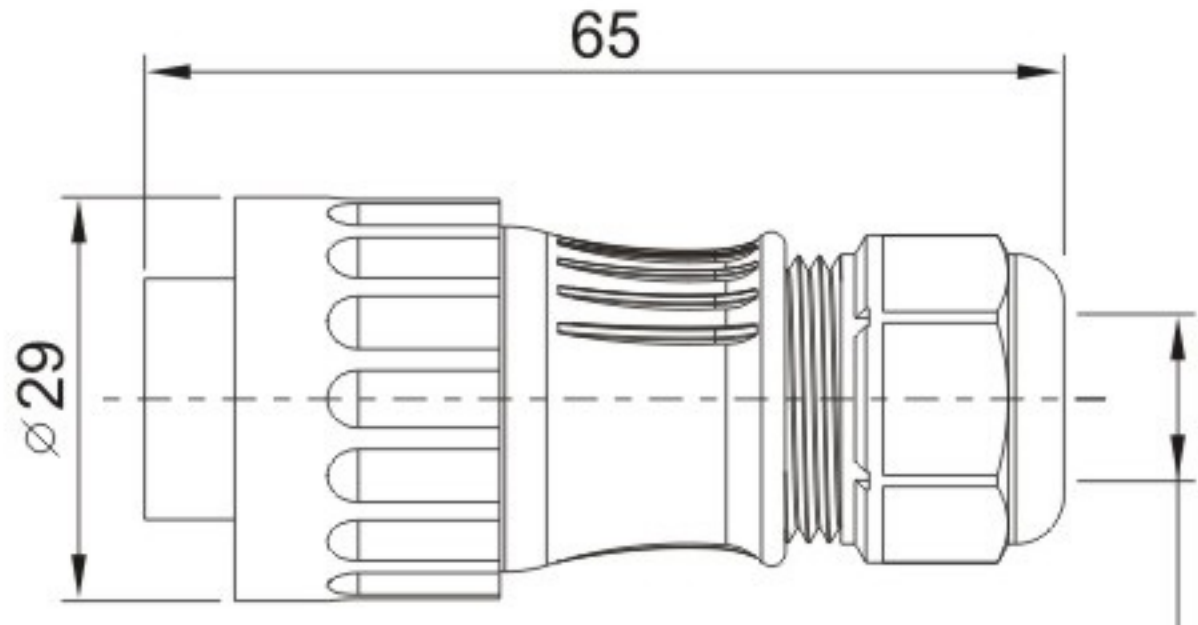
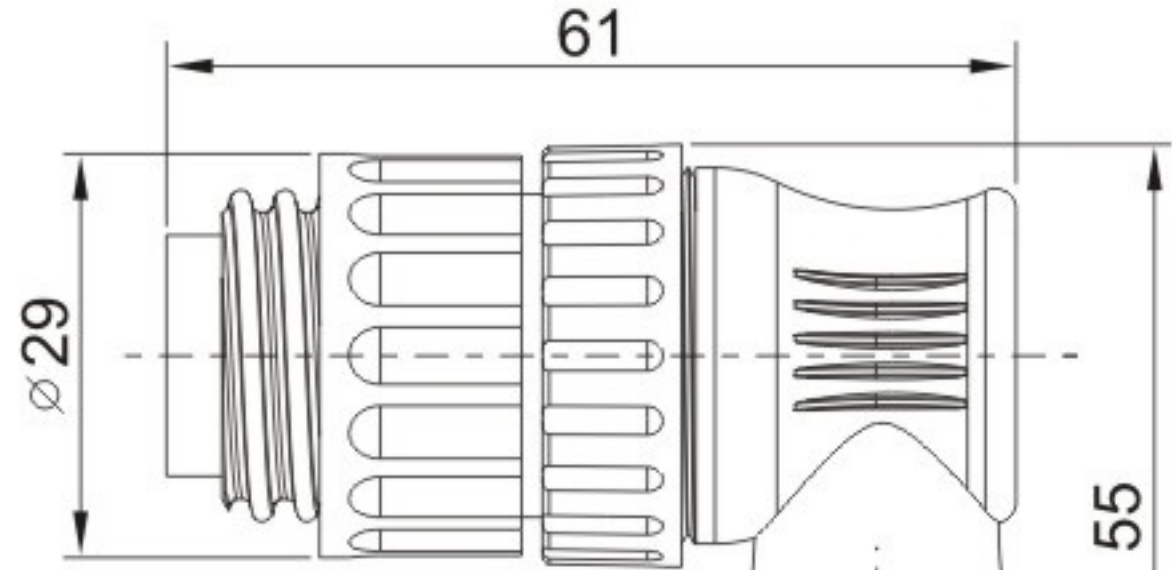

IP67

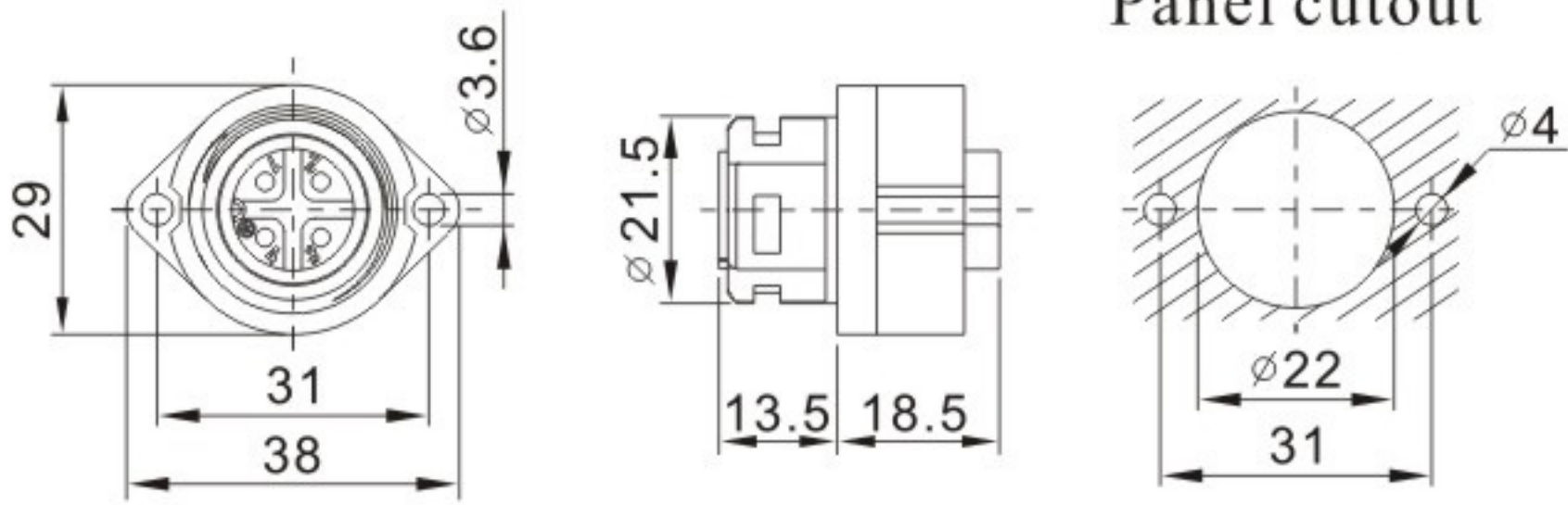
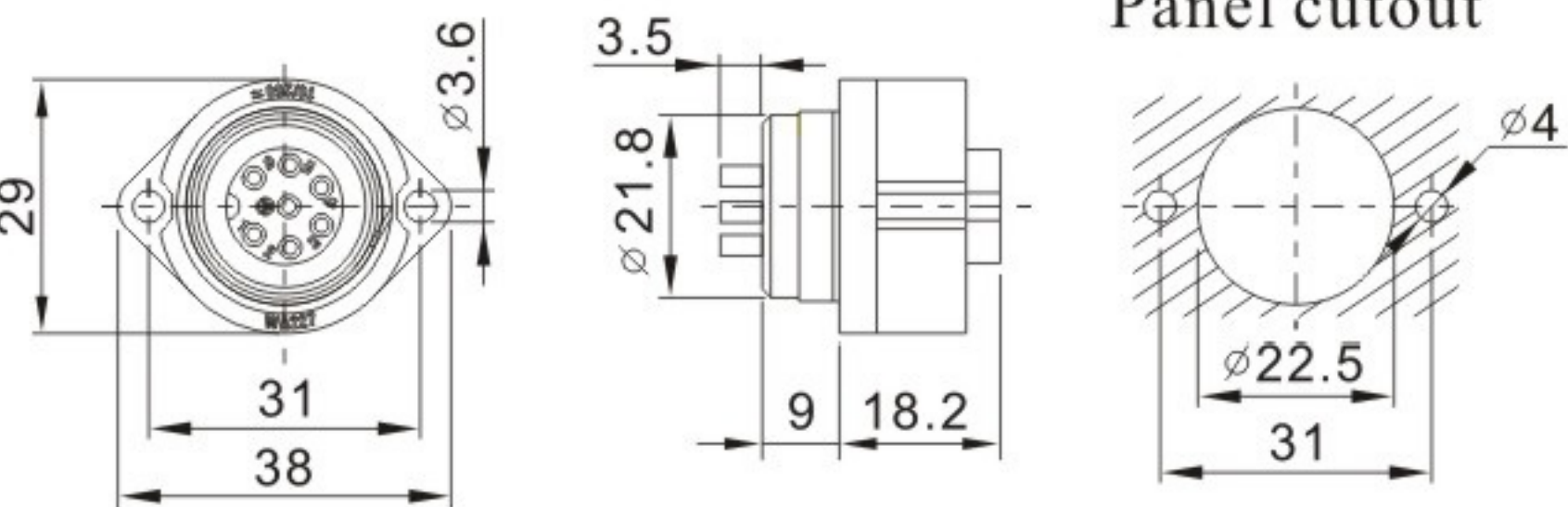
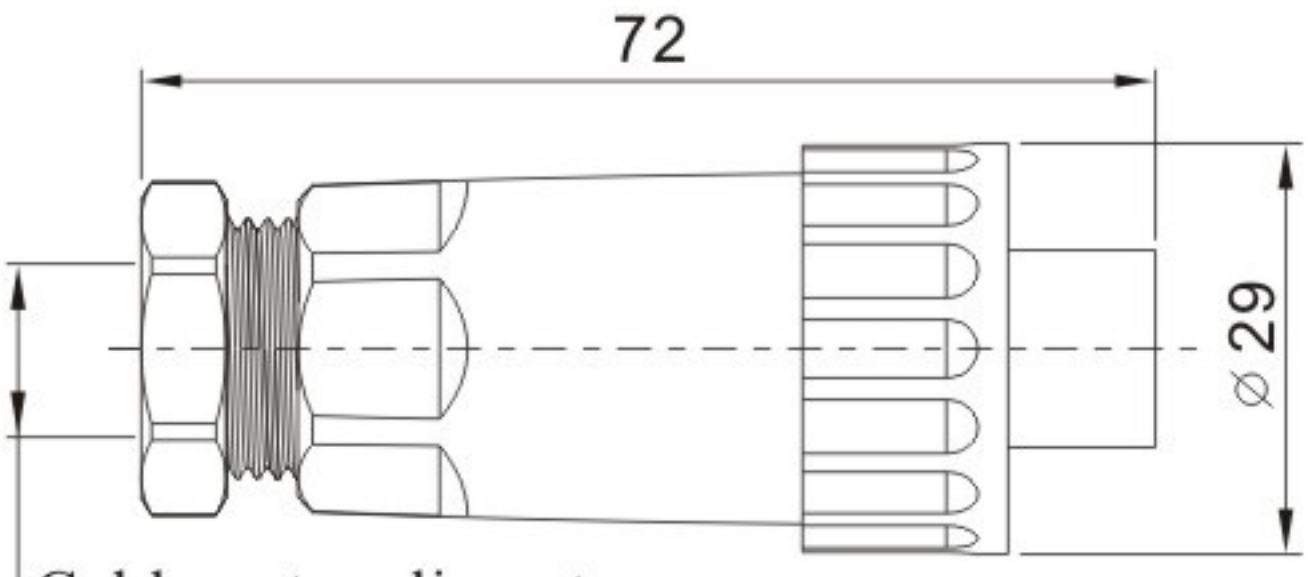

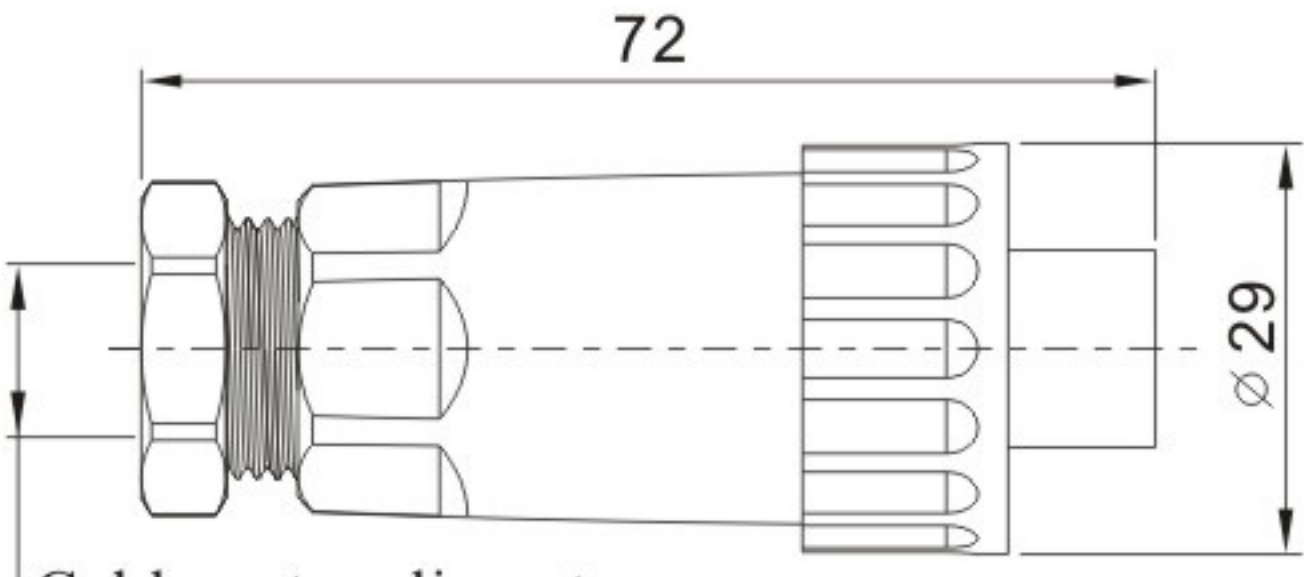

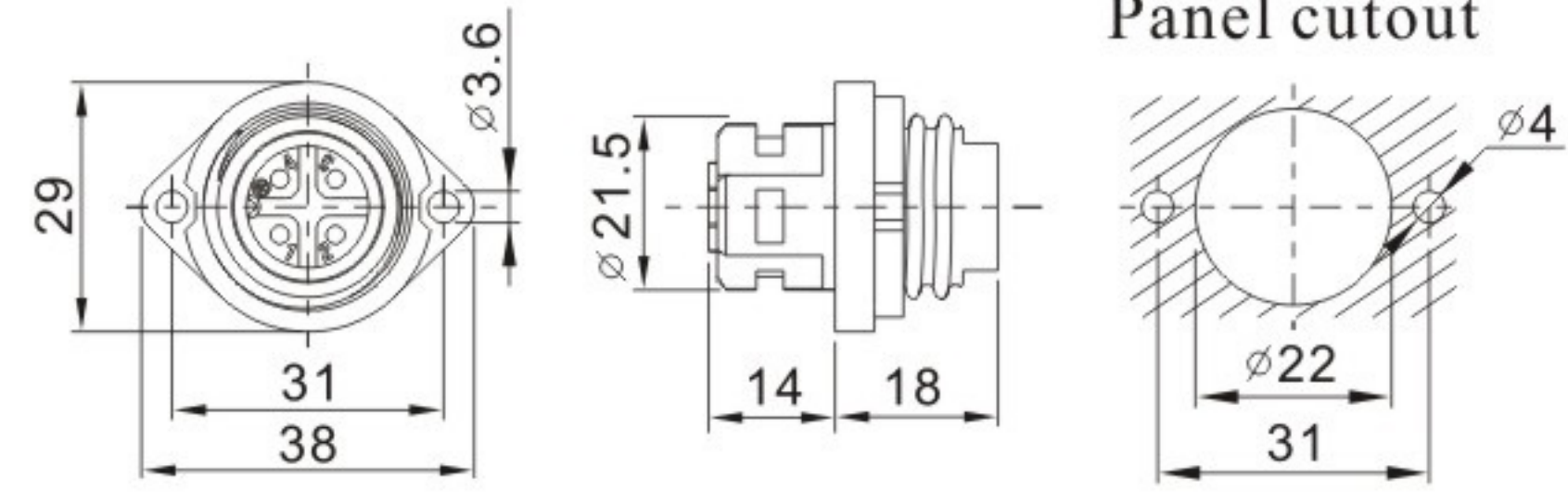
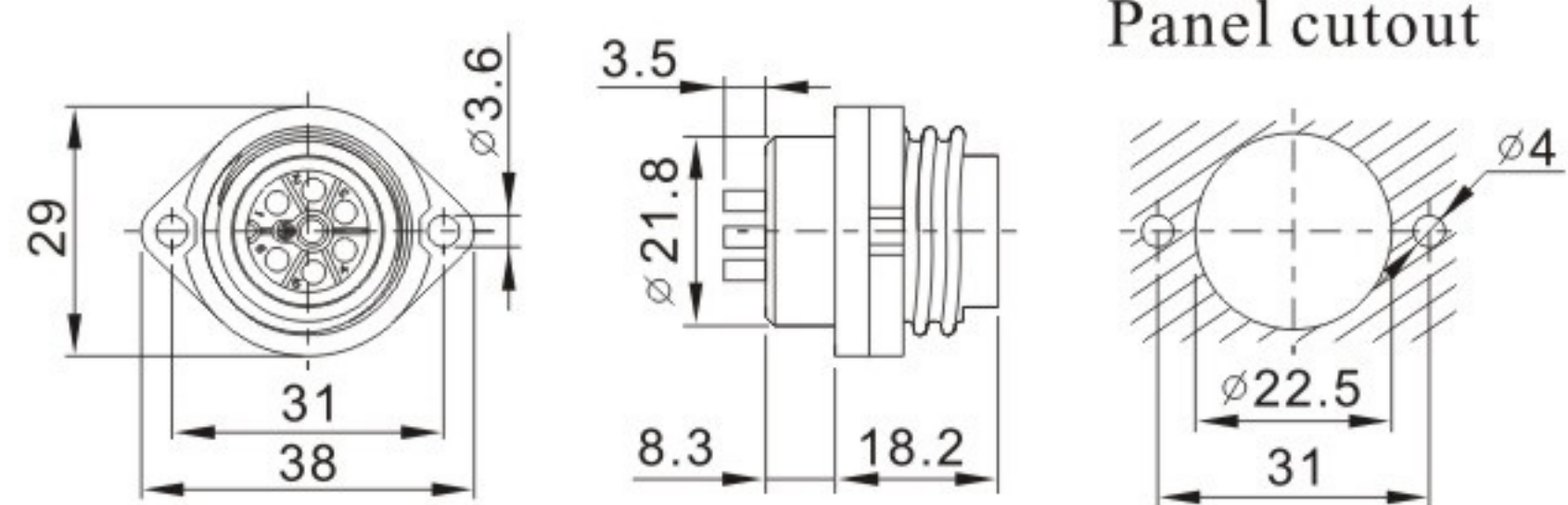

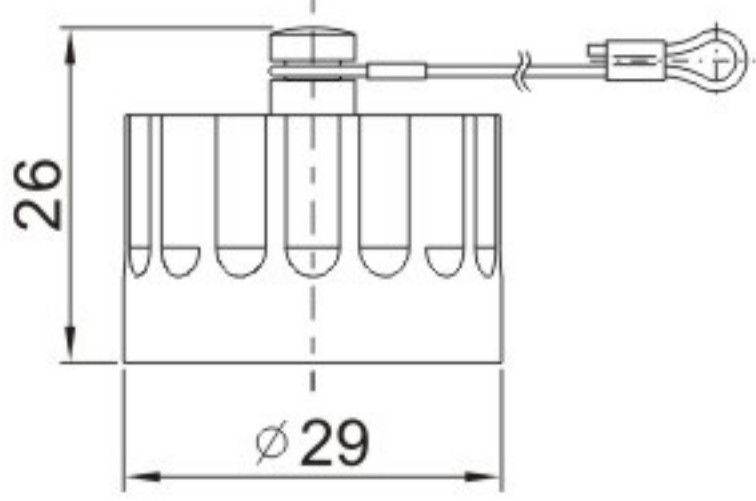


● WA22 Series IP67

Material and spec		
Number of contact	3+PE	6+PE
Contact diameter (mm)	∅2	∅1.5
Rated voltage (AC.V)	400	250
Rated current (A)	16	10
Wire size (mm ² /AWG)	≤2.5/14	≤0.75/18
Termination	Screw	Solder
Test voltage(AC.V)1min	2000	
Insulation resistance (MΩ)	2000	
Shell material	Nylon66, fire resistance: V-0	
Contact material	Brass with gold plating	
Temperature range	-40℃~+85℃	
Mating cycle	500	

Part number	Description	Drawing
WA22J4TK2 	3+PE male cable connector with short back shell Screw termination	
WA22J7TK1 	6+PE male cable connector with short back shell Solder termination	

Part number	Description	Drawing
WA22K4TK2 	3+PE female cable connector with short back shell Screw termination	 <p data-bbox="1529 587 1846 647">Cable outer diameter range: I: 4.5-7mm, II: 7-12mm</p>
WA22K7TK1 	6+PE female cable connector with short back shell Solder termination	
WA22J4TL2 	3+PE male cable connector with angled back shell Screw termination	 <p data-bbox="1396 1276 1711 1336">Cable outer diameter range: I: 4.5-7mm, II: 7-12mm</p>
WA22J7TL1 	6+PE male cable connector with angled back shell Solder termination	
WA22K4TL2 	3+PE female cable connector with angled back shell Screw termination	 <p data-bbox="1396 1923 1711 1983">Cable outer diameter range: I: 4.5-7mm, II: 7-12mm</p>
WA22K7TL1 	6+PE female cable connector with angled back shell Solder termination	
WA22J4TE2 	3+PE male cable connector Screw termination	 <p data-bbox="1514 2540 1881 2600">Cable outer diameter range: I: 6.5mm, II: 8.5mm, III: 10.5mm</p>
WA22J7TE1 	6+PE male cable connector Solder termination	

Part number	Description	Drawing
WA22K4Z2 	3+PE female panel connector Screw termination	
WA22K7Z1 	6+PE female panel connector Solder termination	
WA22K4ZE2 	3+PE female cable connector Screw termination	
WA22K7ZE1 	6+PE female cable connector Solder termination	 <p>Cable outer diameter range: I: 6.5mm, II: 8.5mm, III: 10.5mm</p>
WA22J4Z2 	3+PE male panel connector Screw termination	
WA22J7Z1 	6+PE male panel connector Solder termination	
WA22G1 	Cap 1	
WA22G2 	Cap 2	