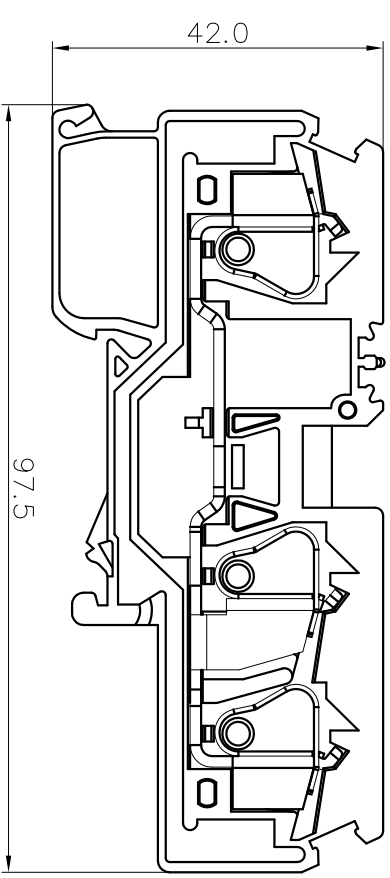
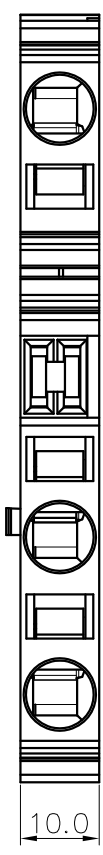
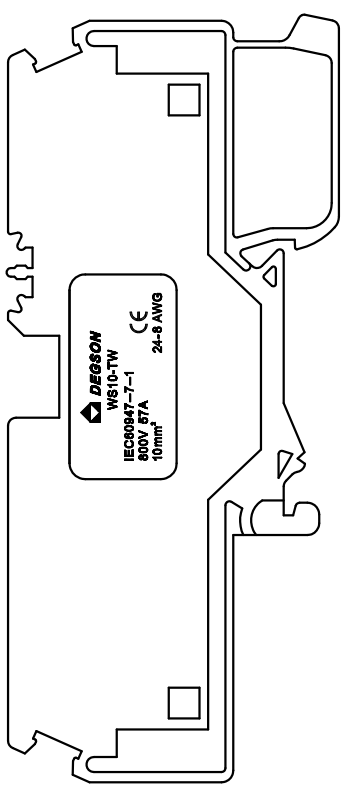


REVISION RECORD			
REV	ECN	DESCRIPTION	DRFT DATE



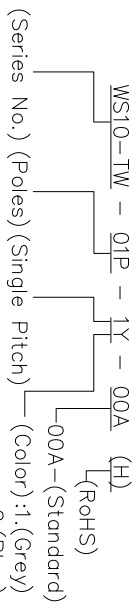
Pollution degree	3
Overvoltage category	III
Rate impulse voltage(KV)	8.0KV
Rate voltage(V)	800V
Rate current(A)	57 A

- NOTES:
- UL Standard
1. Rated voltage/current : 600V / 50A
  2. Withstanding voltage : AC2200V/1Min.
  3. Wire range : 24~8AWG
- IEC Standard
1. Wire range : 0.2~10mm<sup>2</sup>

- NOTES2:
1. Dimension shall be interpreted per ASME Y14.5-2009
  2. Pitch : 10.0mm, Poles : 01P
  3. Stripping length : 13~14mm
  4. Operating temperature: -40°C~+105°C
  5. Undimensioned tolerances:

Pitch range	in	Nominal dimension	range	mm	in	mm	in
Over	6	10	Over	30	Over	100	Over
TO	10	TO	60	TO	100	TO	150
TO	10	TO	24	TO	60	TO	150
TO	10	TO	30	TO	100	TO	150
±0.15	±0.20	±0.30	±0.30	±0.50	±0.70	±1.00	±1.30
							±2°

6. RoHS Compliance



1. (Grey)
2. (Blue)
3. (Black)
4. (Green)
5. (Orange)
6. (Red)
7. (Transparent)
8. (Yellow)
9. (White)

DETACHED LISTS			
PART NO.:	/	NAME:	DEGSON <sup>®</sup> NINGBO DEGSON ELECTRICAL CO., LTD 宁波高松电子有限公司
APPD:	/	TITLE:	CUSTOMER DRAWING
CHKD:	/	DRAWING NO.:	/
DRFT:	/	DO NOT SCALE DRAWING	SCALE
THIRD ANGLE PROJECTION		REV	DO
		SHEET	1/1
		SCALE	1:1