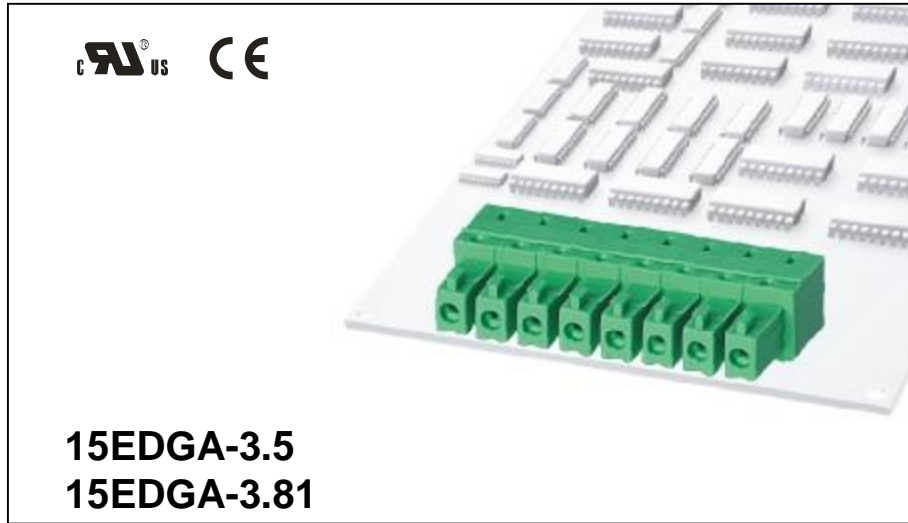


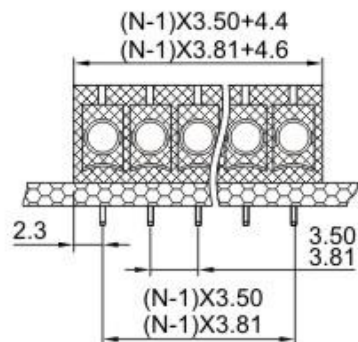
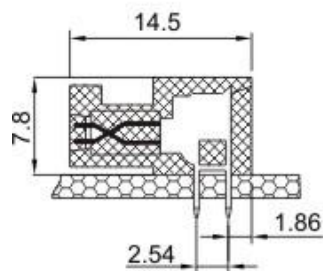
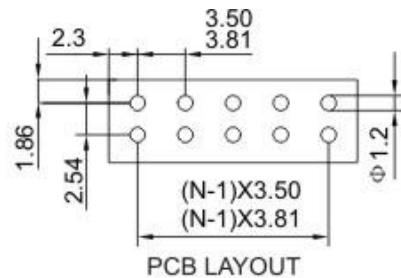


DEGSON ELECTRONICS CO., LTD.

Product Specification



APPROVAL		
Electrical		
Standard	UL	IEC
Rated voltage	300V	250V
Rated current	8A	7A
Withstanding voltage	AC2000V/1Min	
Mechanical		
Ambient temperature	-40°C~+105 °C	
Dimensions		
Pitch	3.5mm(.138") 3.81mm(.150")	
Poles	2P-24P	
Material		
Housing	PA66,UL94 V-0	
Contact	Phosphor bronze,Tin plated	



HOW TO ORDER :

- **P** - -

X	X	X
---	---	---

Customer Request

Series number

No. of pole

1	Single pitch
2	Double pitch

Color

1	Grey	4	Green	7	Trans Parent
2	Blue	5	Orange	8	Yellow
3	Black	6	Red	9	White

	DEGSON ELECTRONICS CO., LTD.
	NAME 15EDGA-3.5, 15EDGA-3.81