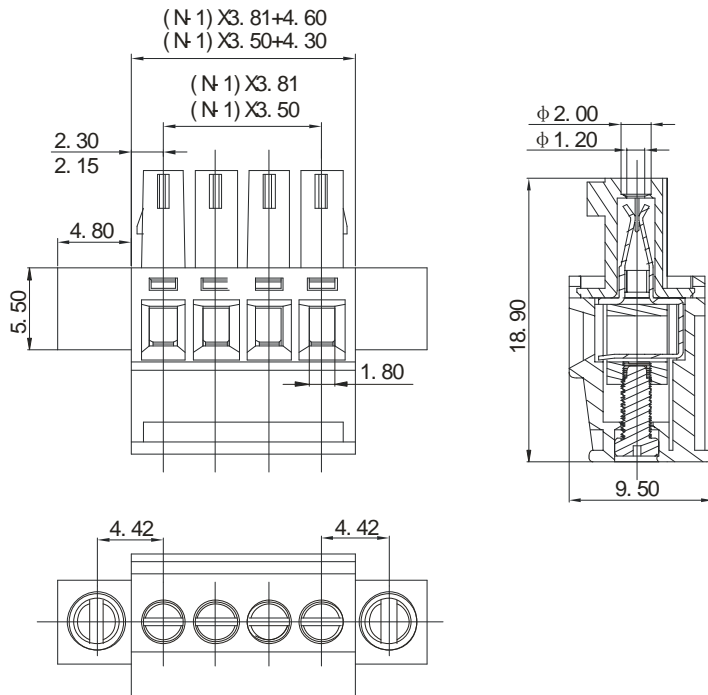






15EDGKBM-3.5
15EDGKBM-3.81



APPROVAL		
Electrical		
Standard	UL	IEC
Rated voltage	300V	250V
Rated current	8A	7A
Wire range	28-16AWG	0.5-1.5mm ²
Withstanding voltage	AC2000V/1Min	
Mechanical		
Torque	0.2Nm(1.7Lb-In)	
Ambient temperature	-30℃~+120℃	
Strip length	7mm	
Dimensions		
Pitch	3.5mm(.138") 3.81mm(.150")	
Poles	2P-20P	
Material		
Housing	PBT,UL94V-0	
Screws	M2,Steel,Cr ³⁺ Zn-plated	
Contact	Phosphor bronze	
Cage	Brass,Ni-plated	

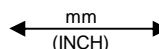

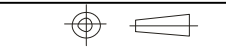
HOW TO ORDER :

- **P** - -

X	X	X
---	---	---

Customer Request

Series number	No. of pole	Color																						
<table border="1" style="display: inline-table;"> <tr><td>1</td><td>Single pitch</td></tr> <tr><td>2</td><td>Double pitch</td></tr> </table>	1	Single pitch	2	Double pitch	<table border="1" style="display: inline-table;"> <tr><td>1</td><td>Grey</td><td>4</td><td>Green</td><td>7</td><td>Trans Parent</td></tr> <tr><td>2</td><td>Blue</td><td>5</td><td>Orange</td><td>8</td><td>Yellow</td></tr> <tr><td>3</td><td>Black</td><td>6</td><td>Red</td><td>9</td><td>White</td></tr> </table>	1	Grey	4	Green	7	Trans Parent	2	Blue	5	Orange	8	Yellow	3	Black	6	Red	9	White	
1	Single pitch																							
2	Double pitch																							
1	Grey	4	Green	7	Trans Parent																			
2	Blue	5	Orange	8	Yellow																			
3	Black	6	Red	9	White																			

 mm (INCH)	 DEGSON ELECTRONICS CO., LTD.
 THIROANGLE PROJECTION	NAME 15EDGKBM-3.5, 15EDGKBM-3.81