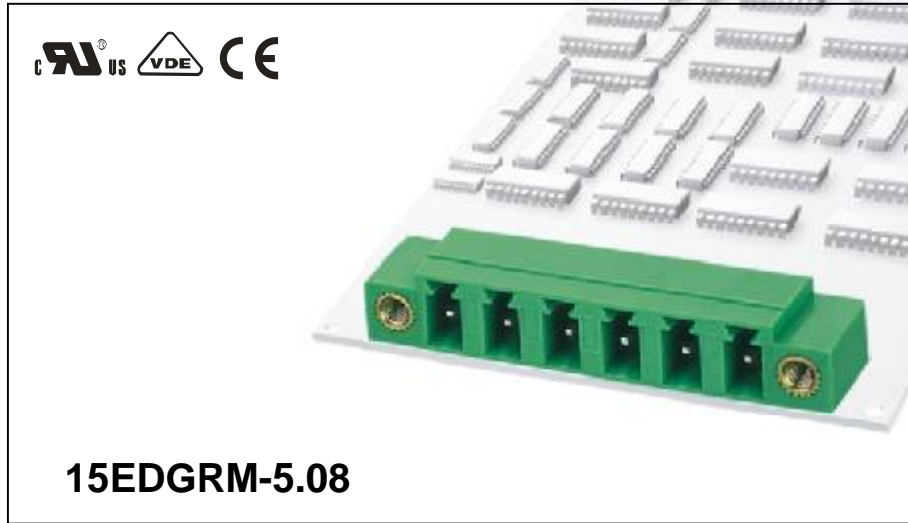


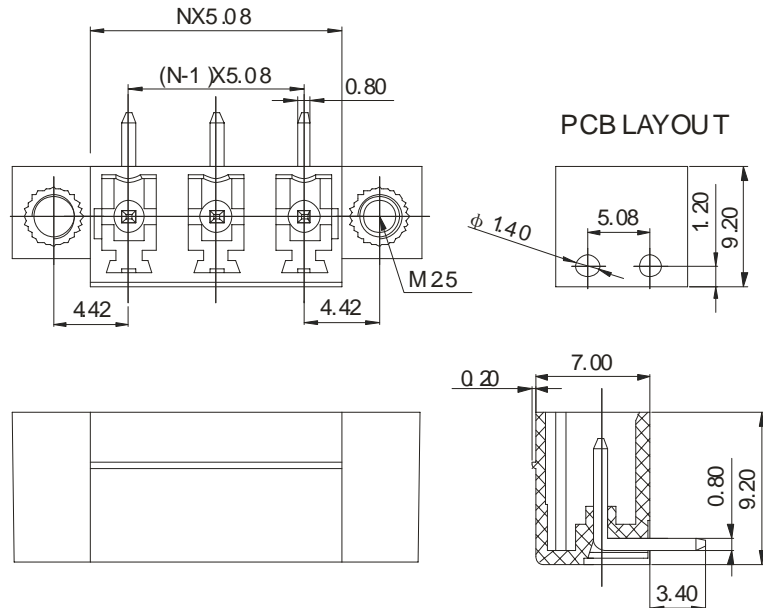


DEGSON ELECTRONICS CO., LTD.

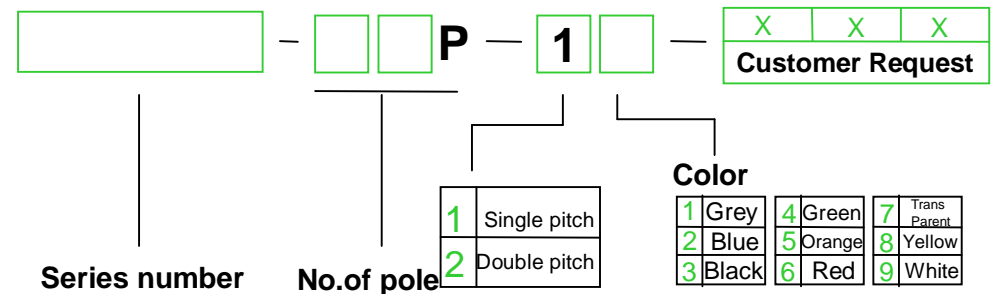
Product Specification



APPROVAL		
Electrical		
Standard	UL	IEC
Rated voltage	300V	250V
Rated current	8A	7A
Withstanding voltage	AC2000V/1Min	
Mechanical		
Ambient temperature	-40°C~+105 °C	
Dimensions		
Pitch	5.08mm(.200")	
Poles	2P-12P	
Material		
Housing	PA66,UL94 V-0	
Pin header	Brass,Tin-plated	
Nut	M2.5,Brass	



HOW TO ORDER :



	DEGSON ELECTRONICS CO., LTD.
	NAME 15EDGRM-5.08